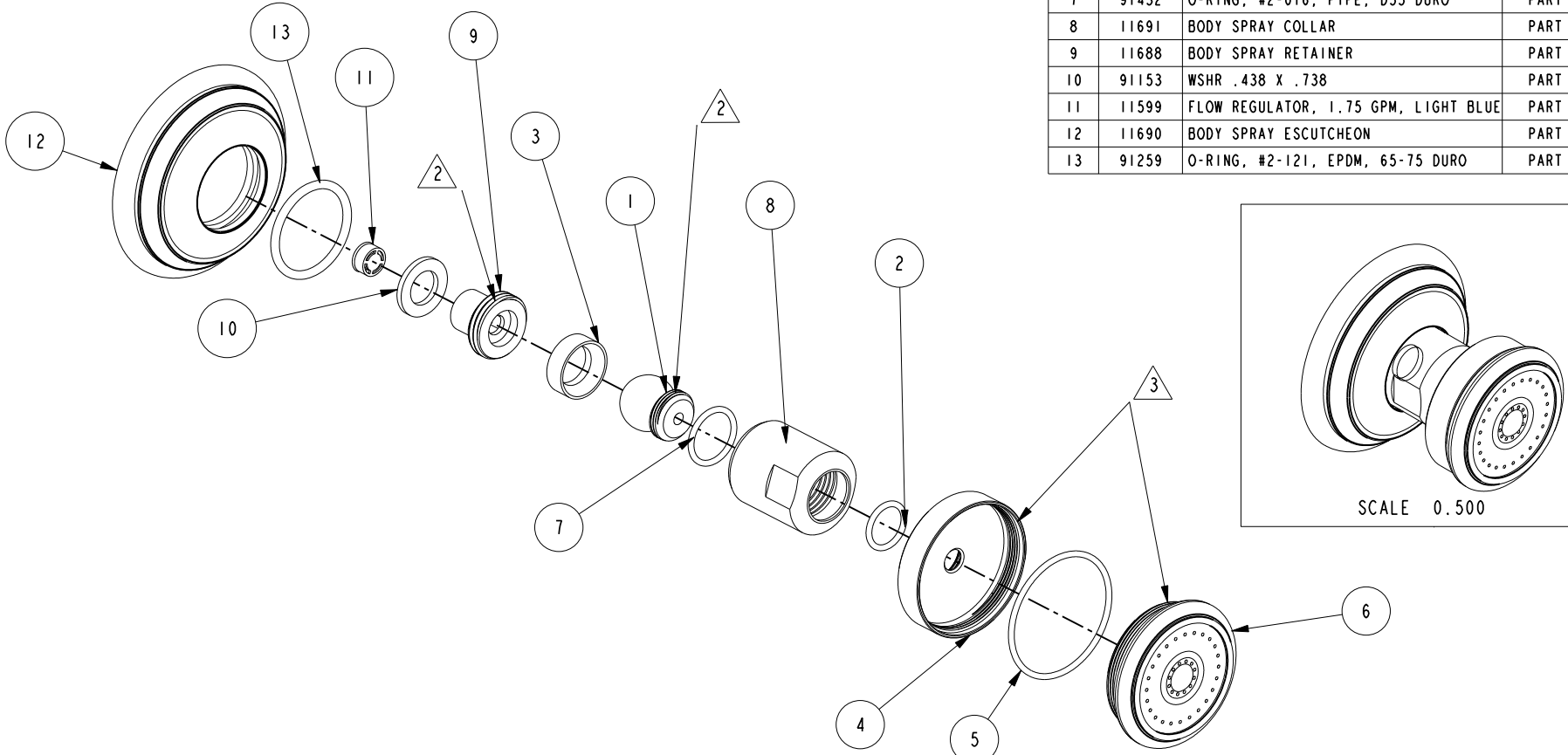


NOTES:

(N1) 1. FIT / FORM / FUNCTION SHALL FOLLOW PS-E.008.

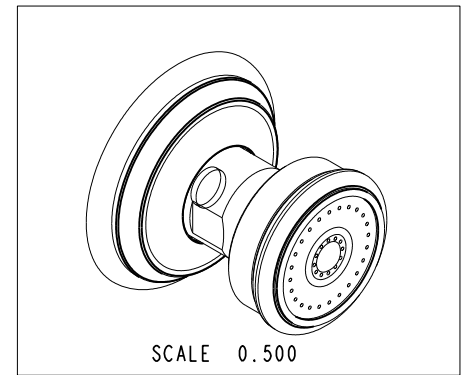
(N2) 2. APPLY ADHESIVE LOCTITE 680.

(N3) 3. APPLY GREASE.



**BILL OF MATERIAL (CURRENT LEVEL)**

| ITEM | PT/ASSY | DESCRIPTION                              | TYPE   | QTY. |
|------|---------|--|--------|------|
| 1    | 50199   | PIVOT BALL                               | PART   | 1    |
| 2    | 91019   | O-RING, #2- 014, EPDM, 65-75 DURO, NSF   | BART   | 1    |
| 3    | 91160   | WSHR, .5 ID X .74 OD X .25 THK, CONCAVED | RUBBER | 1    |
| 4    | 50196   | BODY                                     | PART   | 1    |
| 5    | 91159   | O-RING, #2- 029, EPDM, 65-75 DURO, NSF   | BART   | 1    |
| 6    | 50197   | BODY SPRAY FACE PLATE                    | PART   | 1    |
| 7    | 91432   | O-RING, #2-016, PTFE, D55 DURO           | PART   | 1    |
| 8    | 11691   | BODY SPRAY COLLAR                        | PART   | 1    |
| 9    | 11688   | BODY SPRAY RETAINER                      | PART   | 1    |
| 10   | 91153   | WSHR .438 X .738                         | PART   | 1    |
| 11   | 11599   | FLOW REGULATOR, 1.75 GPM, LIGHT BLUE     | PART   | 1    |
| 12   | 11690   | BODY SPRAY ESCUTCHEON                    | PART   | 1    |
| 13   | 91259   | O-RING, #2-121, EPDM, 65-75 DURO         | PART   | 1    |



| E    | EN-3091  | 070/8/16    | J. A. |          |
|------|----------|-------------|-------|----------|
| D    | EN-2709  | 02/26/14    |       |          |
| C    | EO-0839  | 5/25/07     |       |          |
| B    | EO-0825  | 4/17/07     |       |          |
| A    | EO-0134  | 03/10/03    |       |          |
| -    | RELEASED | PRE '95     | -     |          |
| ZONE | REV      | DESCRIPTION | DATE  | APPROVED |

COPYRIGHT 2005 BRASSTECH, INC. THESE DRAWINGS AND THE DESIGNS DEPICTED HEREIN ARE THE PROPRIETARY PROPERTY OF BRASSTECH. ANY USE OR REPRODUCTION IS SUBJECT TO THE EXPRESS APPROVAL OF BRASSTECH. UNAUTHORIZED USE IS STRICTLY PROHIBITED. ALL RIGHTS RESERVED.

|           |           |                                  |         |
|-----------|-----------|----------------------------------|---------|
| TESTING   | -         | -                                | -       |
| ASSEMBLY  | -         | -                                | -       |
| PLATING   | -         | -                                | -       |
| POLISHING | -         | NEXT ASSY                        | USED ON |
| MACHINING | -         | APPLICATION                      |         |
| TOOLING   | FIXTURE # | REMOVE ALL BURRS AND SHARP EDGES |         |

UNITS ARE: INCHES [MM]  
 TOLERANCES ARE:  
 FRACTIONS DECIMALS ANGLES  
 $\pm 1/16"$  .X  $\pm .1$  [2.5]  $\pm 1^\circ$   
 .XX  $\pm .06$  [1.5]  
 (X.XXX) DENOTES CRITICAL DIMS.  
 ALL THREADS ARE CRITICAL  
 DRAWN J. AMOZOC 07/08/16  
 CHECKED  
 APPROVED

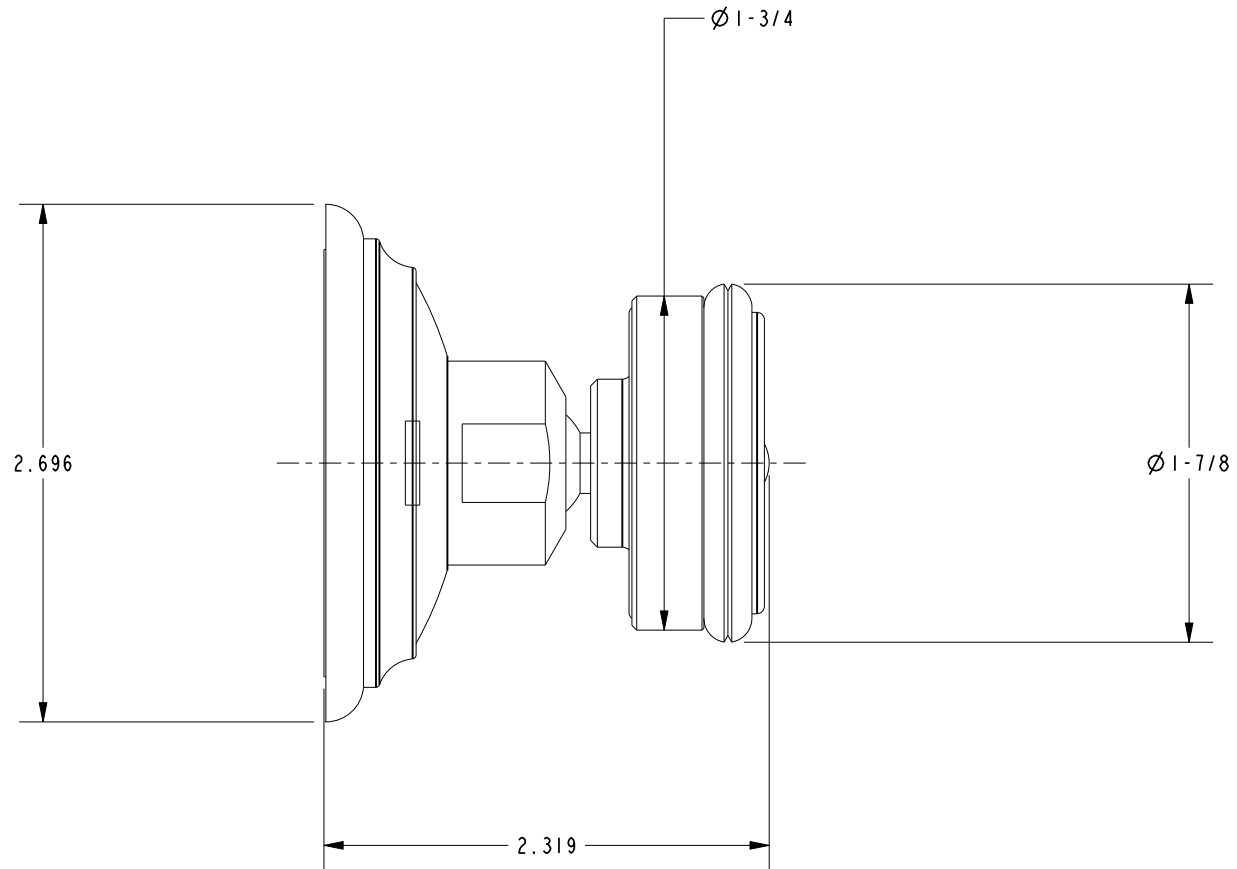
**BRASSTECH** 2001 CARNEGIE AVE.  
 INCORPORATED SANTA ANA, CA 92705  
 (949) 417-5207

**BODY SPRAY**

DWG NO. 217 REV E

SCALE 0.600 REF. - SHEET 1 OF 2

SPECIFICATION DWG



DIMENSIONS ARE IN INCHES AND AN APPROXIMATION OF A TYPICAL INSTALLATION

COPYRIGHT 2005 BRASSTECH, INC. THESE DRAWINGS AND THE DESIGNS DEPICTED HEREIN ARE THE PROPRIETARY PROPERTY OF BRASSTECH. ANY USE OR REPRODUCTION IS SUBJECT TO THE EXPRESS APPROVAL OF BRASSTECH. UNAUTHORIZED USE IS STRICTLY PROHIBITED. ALL RIGHTS RESERVED.

|                  |       |   |        |
|------------------|-------|---|--------|
| <b>BRASSTECH</b> |       | 2001 CARNEGIE AVE.<br>SANTA ANA, CA 92705<br>(949) 417-5207 |        |
| INCORPORATED     |       |   |        |
| DWG NO.          | 217   | REV   | E      |
| SCALE            | 1.000 | REF.  | -      |
|                  |       | SHEET   | 2 OF 2 |