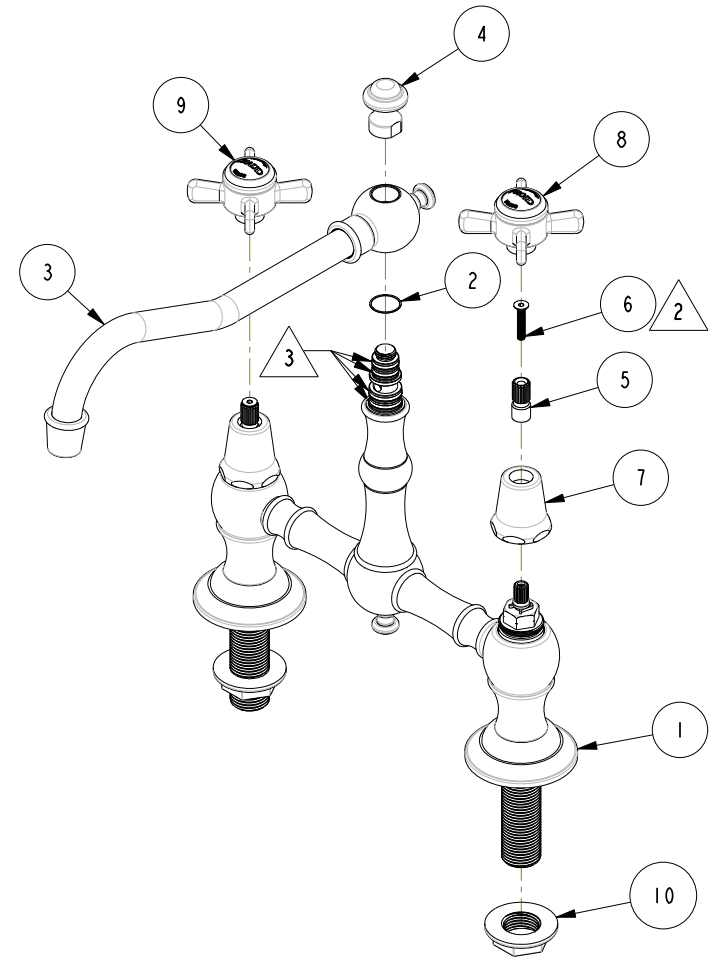


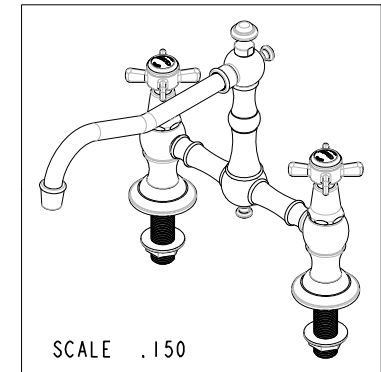
NOTES:

- (NI) 1. FIT / FORM / FUNCTION SHALL FOLLOW PS-E.008.
- 2 APPLY LOCTITE 242 IF SCREW DOES NOT HAVE NYLON PATCH.
- 3 APPLY THIN COAT OF SILICON GREASE ON O-RINGS.



BILL OF MATERIAL (CURRENT LEVEL)

ITEM	PT/ASSY	DESCRIPTION	TYPE	QTY.
1	3-301	KITCHEN BRIDGE BODY ASM	ASSEMBLY	1
2	91012	WSHR, .595 ID X .656 OD X .01 THK, FLT	PART	1
3	3-299	KITCHEN SPOUT ASSY	ASSEMBLY	1
4	10318	FINIAL, NUT	PART	1
5	12062	ADAPTER - 20-T X 16-T	PART	2
6	92539	SCRW, M4X22 FLAT HD SOCKET HD CAP	PART	2
7	12259	HANDLE BONNET - TUB FILLER	PART	2
8	2-115	THIN BLADE X - HANDLE COLD	ASSEMBLY	1
9	2-114	THIN BLADE X - HANDLE HOT	ASSEMBLY	1
10	91061	FLANGE NUT 1/2-14 NPSM	PART	2



ZONE	REV	DESCRIPTION	DATE	APPROVED
-	D	EN-2909	06/19/17	AN
-	C	EN-1919a	08/12/14	VV

COPYRIGHT 2005 BRASSTECH, INC. THESE DRAWINGS AND THE DESIGNS DEPICTED HEREIN ARE THE PROPRIETARY PROPERTY OF BRASSTECH. ANY USE OR REPRODUCTION IS SUBJECT TO THE EXPRESS APPROVAL OF BRASSTECH. UNAUTHORIZED USE IS STRICTLY PROHIBITED. ALL RIGHTS RESERVED.

TESTING	-	-	-
ASSEMBLY	-	-	-
PLATING	-	-	-
POLISHING	-	NEXT ASSY	USED ON
MACHINING	-	APPLICATION	
TOOLING FIXTURE #	REMOVE ALL BURRS AND SHARP EDGES		

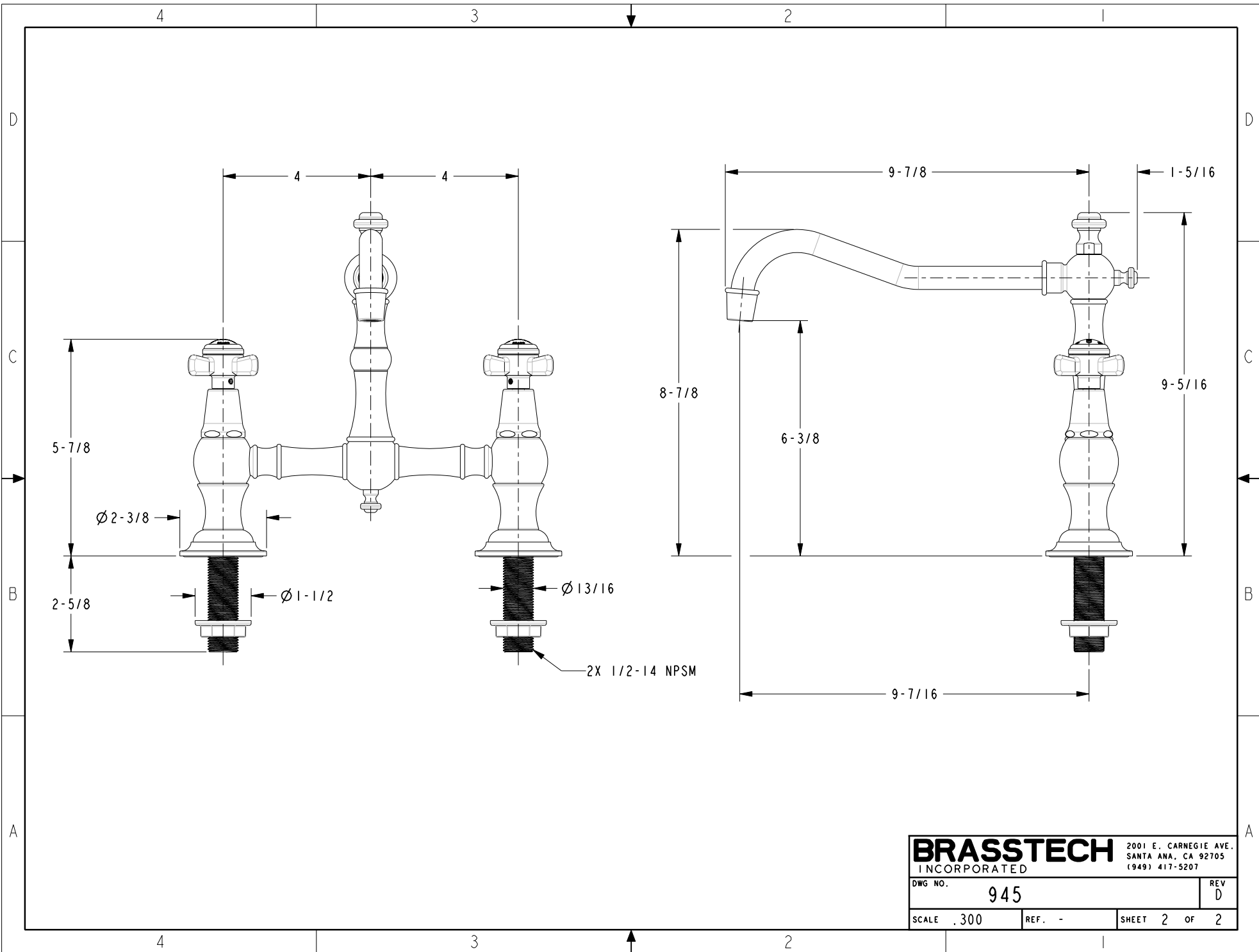
UNITS ARE: INCHES [MM]		
TOLERANCES ARE:		
FRACTIONS	DECIMALS	ANGLES
±1/16"	.X ±.1 (2.5)	±1°
	.XX ±.06 (1.5)	
(X.XXX) DENOTES CRITICAL DIMS.		
ALL THREADS ARE CRITICAL		
DRAWN	AN	05/08/17
CHECKED	AN	05/08/17
APPROVED	AN	05/08/17

BRASSTECH 2001 CARNEGIE AVE.
INCORPORATED SANTA ANA, CA 92705
(949) 417-5207

KITCHEN BRIDGE FAUCET

DWG NO. **945** REV **D**

SCALE .250 REF. - SHEET 1 OF 2



BRASSTECH		2001 E. CARNEGIE AVE. SANTA ANA, CA 92705 (949) 417-5207	
DWG NO.	945	REV	D
SCALE	.300	REF.	-
SHEET 2		OF 2	