

Features

- Solid brass construction
- Traditional styling
- Single function spray
- Finished spray surface
- Incorporates twin back-check valves
- 1/2" NPSM inlet fitting
- 2" (5.1 cm) showerhead diameter
- 1.8 gallons (6.7 liters) per minute maximum flow rate

Codes / Standards Compliance

Meets or exceeds the following at date of manufacture:

- ASME A112.18.1/CSA B125.1
- IAPMO/cUPC
- IPC
- Energy Policy Act of 1992
- EPA Watersense
- All applicable US Federal and State material regulations

Colors / Finishes

- 10B: Oil Rubbed Bronze
- 15: Polished Nickel
- 15S: Satin Nickel - PVD
- 26: Polished Chrome
- Other: Refer to the Newport Brass catalog for additional color/finish options.

Handshower

281



Specified Model

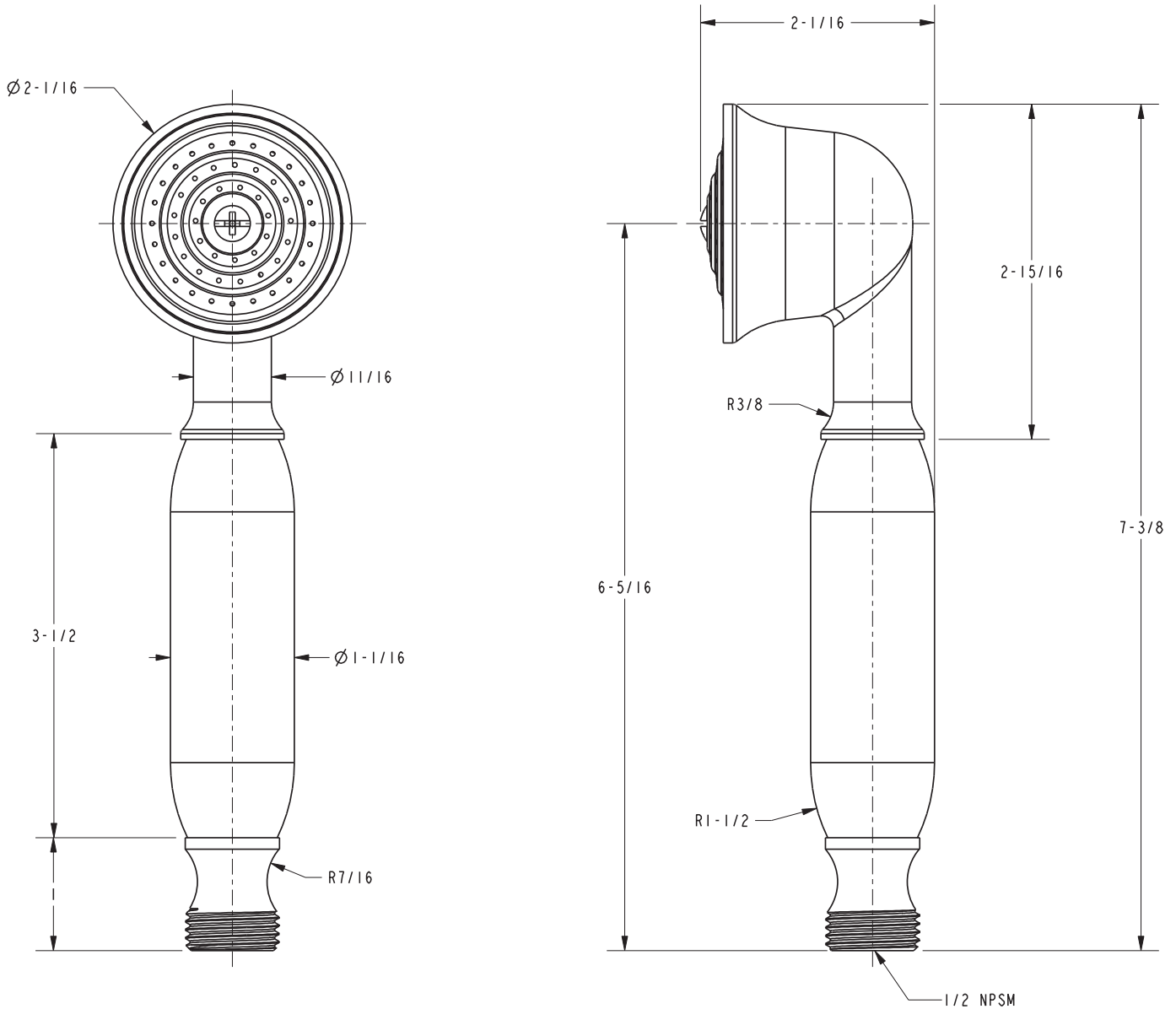
Model	Description	Colors Finishes
281	Handshower	<input type="checkbox"/> 10B <input type="checkbox"/> 15 <input type="checkbox"/> 15S <input type="checkbox"/> 26 <input type="checkbox"/> Other

Product Specification: Add "Color / Finish" suffix to Model number, below.

The Handshower shall be of solid brass construction. Handshower shall have a single function spray pattern incorporating a finished spray surface. Handshower shall incorporate twin back-check valves within the handle. Handshower shall have a 1/2" NPSM inlet fitting and 2" (5.1 cm) showerhead diameter while operating at 1.8 gallons (6.7 liters) per minute maximum flow rate. Handshower shall be Newport Brass Model 281/____.

281

PRODUCT DIMENSIONS *(Units are in inches)*



Newport Bath Handshower 281