

4

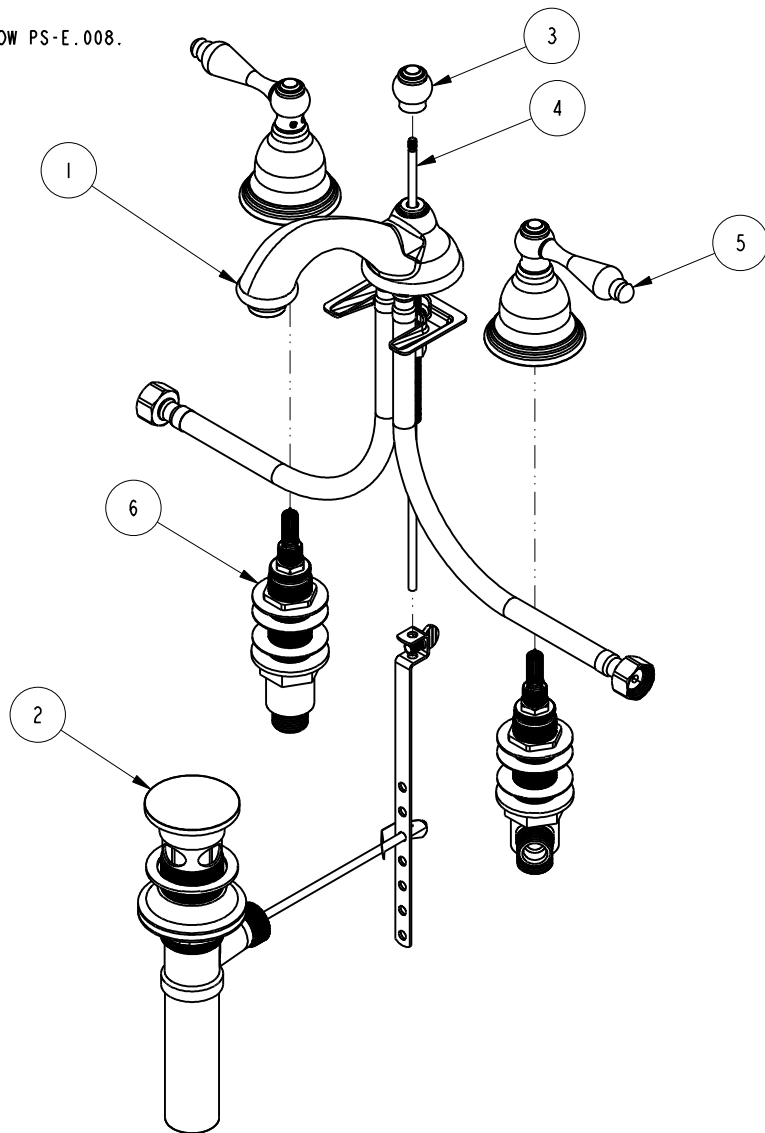
3

2

1

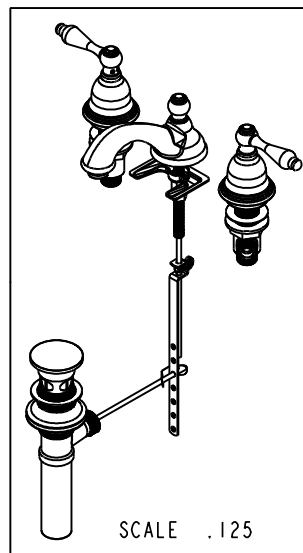
NOTES:

(N1) 1. FIT / FORM / FUNCTION SHALL FOLLOW PS-E.008.



BILL OF MATERIAL (CURRENT LEVEL)

ITEM	PT/ASSY	DESCRIPTION	TYPE	QTY.
1	3-344	WIDESPREAD SPOUT	ASSEMBLY	1
2	325	POP UP ASSEMBLY	ASSEMBLY	1
3	10010	POP-UP KNOB	PART	1
4	10288	3/16" POP UP ROD	PART	1
5	3-202	TRIM KIT - STOP VALVE	ASSEMBLY	2
6	1-525_850	W/S VALVE ASM	ASSEMBLY	1



-	E	EN-3371	08/04/17	J.M
-	D	EN-2553	07/02/13	-
-	C	EN-1616	09/13/10	-
-	B	EO-1005	06/09/08	-
-	A	MOD INLET	04/00	-
ZONE	REV	DESCRIPTION	DATE	APPROVED

COPYRIGHT 2005 BRASSTECH, INC. THESE DRAWINGS AND THE DESIGNS DEPICTED HEREIN ARE THE PROPRIETARY PROPERTY OF BRASSTECH. ANY USE OR REPRODUCTION IS SUBJECT TO THE EXPRESS APPROVAL OF BRASSTECH. UNAUTHORIZED USE IS STRICTLY PROHIBITED. ALL RIGHTS RESERVED.

TESTING	-	-	-
ASSEMBLY	-	-	-
PLATING	-	-	-
POLISHING	-	NEXT ASSY	USED ON
MACHINING	-	APPLICATION	
TOOLING FIXTURE #	REMOVE ALL BURRS AND SHARP EDGES		

UNITS ARE: INCHES [MM]			
TOLERANCES ARE:			
FRACTIONS	DECIMALS	ANGLES	
±1/16"	.X ±.1 [2,5]	±1°	
	.XX ±.06 [1,3]		
(X.XXX) DENOTES CRITICAL DIMS. ALL THREADS ARE CRITICAL			
DRAWN	VINAY	08/04/17	
CHECKED	RAVINDRA	08/04/17	
APPROVED	J.M	08/04/17	

BRASSTECH 2001 CARNEGIE AVE. SANTA ANA, CA 92705 (949) 417-5207
INCORPORATED

WIDESPREAD FAUCET

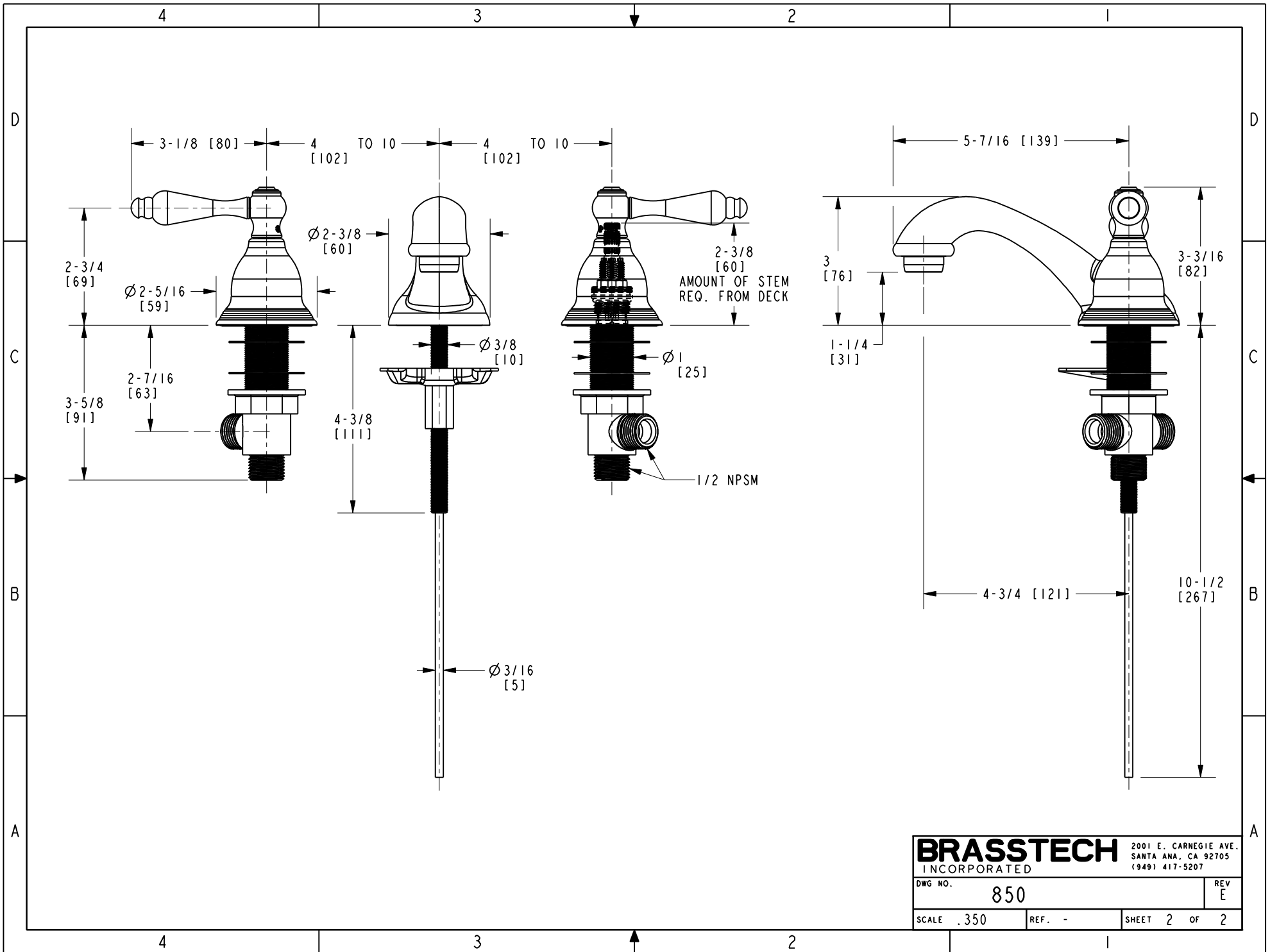
DWG NO.	850	REV	E
SCALE	.225	REF.	-
SHEET	1	OF	2

4

3

2

1



BRASSTECH 2001 E. CARNEGIE AVE.
 INCORPORATED SANTA ANA, CA 92705
 (949) 417-5207

DWG NO.	850	REV	E
SCALE	.350	REF.	-
SHEET 2		OF 2	