

**Towel Ring**  
**13-09**

**Features**

- Solid brass construction
- Single-post, horizontal pivot design with hanging, closed ring
- Complements Alveston product series

**Codes / Standards Compliance**

Meets or exceeds the following at date of manufacture:

- All applicable US Federal and State material regulations



**Colors / Finishes**

- 10B: Oil Rubbed Bronze
- 15: Polished Nickel
- 15S: Satin Nickel - PVD
- 26: Polished Chrome
- Other: Refer to the Newport Brass catalog for additional color/finish options.

**Specified Model**

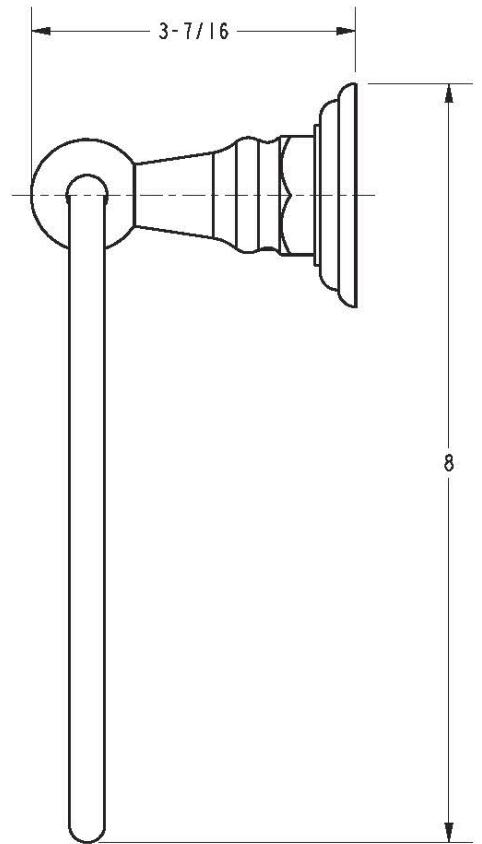
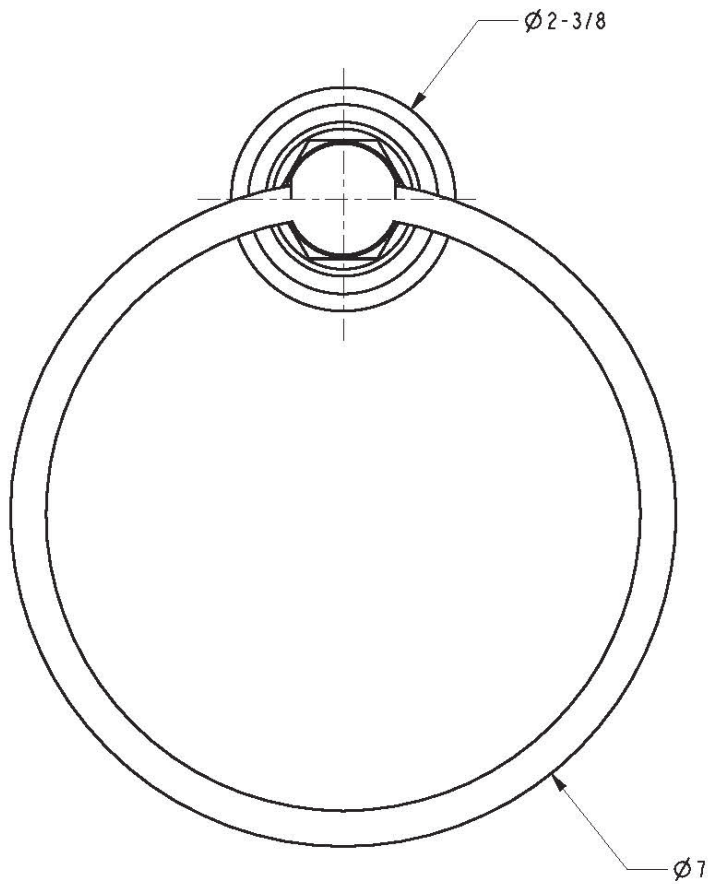
Model	Description	Colors   Finishes
13-09	Towel Ring	<input type="checkbox"/> 10B <input type="checkbox"/> 15 <input type="checkbox"/> 15S <input type="checkbox"/> 26 <input type="checkbox"/> Other

**Product Specification:** Add "Color / Finish" suffix to Model number, below.

The Towel Ring shall be made of solid brass construction and incorporate a single-post, horizontal pivot design with hanging, closed ring. Towel Ring shall complement Newport Brass Alveston product series. Towel Ring shall be Newport Brass Model 13-09/\_\_\_\_.

# 13-09

## PRODUCT DIMENSIONS *(Units are in inches)*



**Alveston Towel Ring**  
**13-09**

Page 2 of 2 Spec\_13-09\_b\_4.16

**NEWPORT BRASS**  
Flawless Beauty. From Faucet to Finish.™

t: 949.417.5207 | [www.newportbrass.com](http://www.newportbrass.com)  
©2016 Brasstech, Inc.