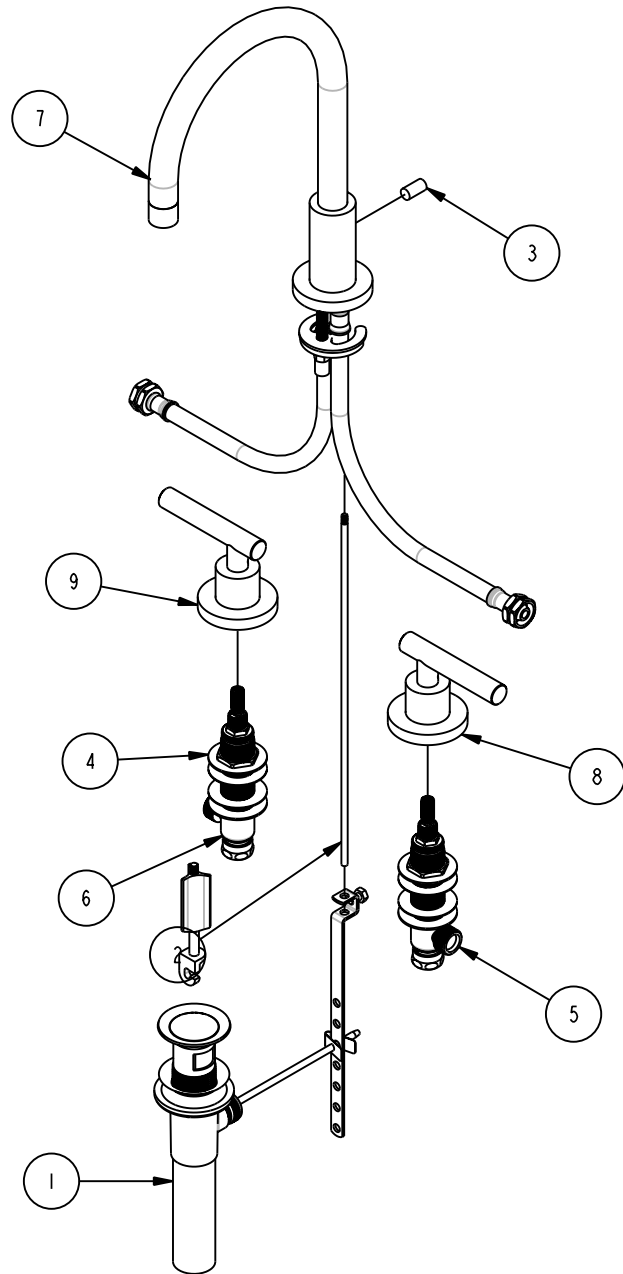
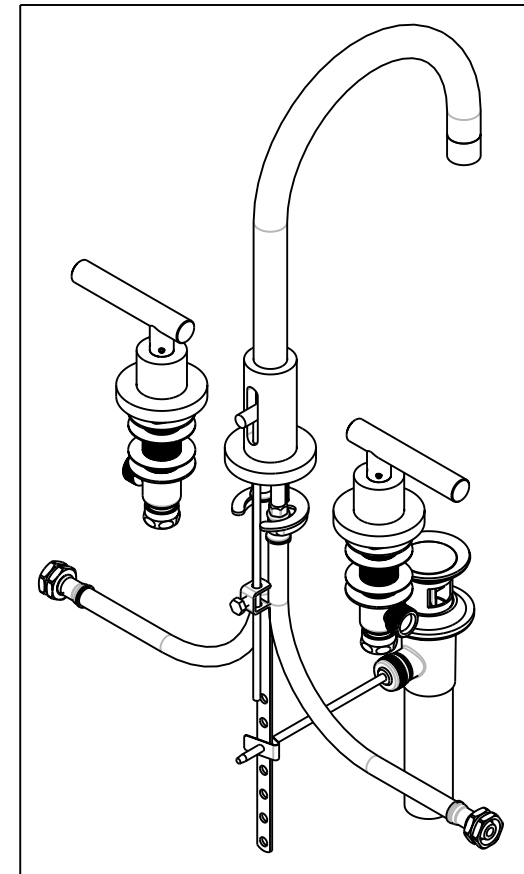


NOTES:



BILL OF MATERIAL (CURRENT LEVEL)

ITEM	PT/ASSY	DESCRIPTION	TYPE	QTY.
1	325	POP UP ASSEMBLY	ASSEMBLY	1
2	10288	3/16" POP UP ROD	PART	1
3	10827	POP-UP KNOB	PART	1
4	1-027	WIDE SPREAD MOUNTING HARDWARE	ASSEMBLY	1
5	1-526	W/S CART/BODY ASM (COLD)	ASSEMBLY	1
6	1-527	W/S CART/BODY ASM (HOT)	ASSEMBLY	1
7	3-233	W/S SPOUT ASM	ASSEMBLY	1
8	3-227LC	HANDLE TRIM ASM - COLD	ASSEMBLY	1
9	3-227LH	HANDLE TRIM ASM - HOT	ASSEMBLY	1



BRASSTECH 2001 E. CARNEGIE AVE
 INCORPORATED SANTA ANA, CA 92705
 (949) 417-5207

W/S DECK FAUCET

ASSY. NO.

990L

A

SCALE 0.175

REF. -

SHEET 1 OF 1

COPYRIGHT ©