

4

3

2

1

**BILL OF MATERIAL (CURRENT LEVEL)**

ITEM	PT/ASSY	DESCRIPTION	TYPE	QTY.
1	1-532C	WALL LAVATORY KIT 1/2" NPT	ASSEMBLY	1
2	3-9301	TRIM KIT 3-9301	ASSEMBLY	1

D

D

C

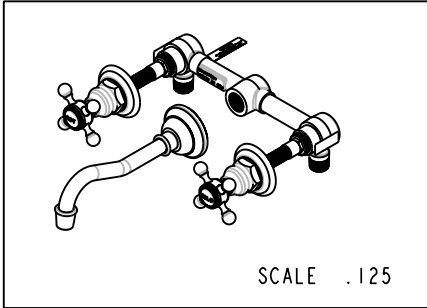
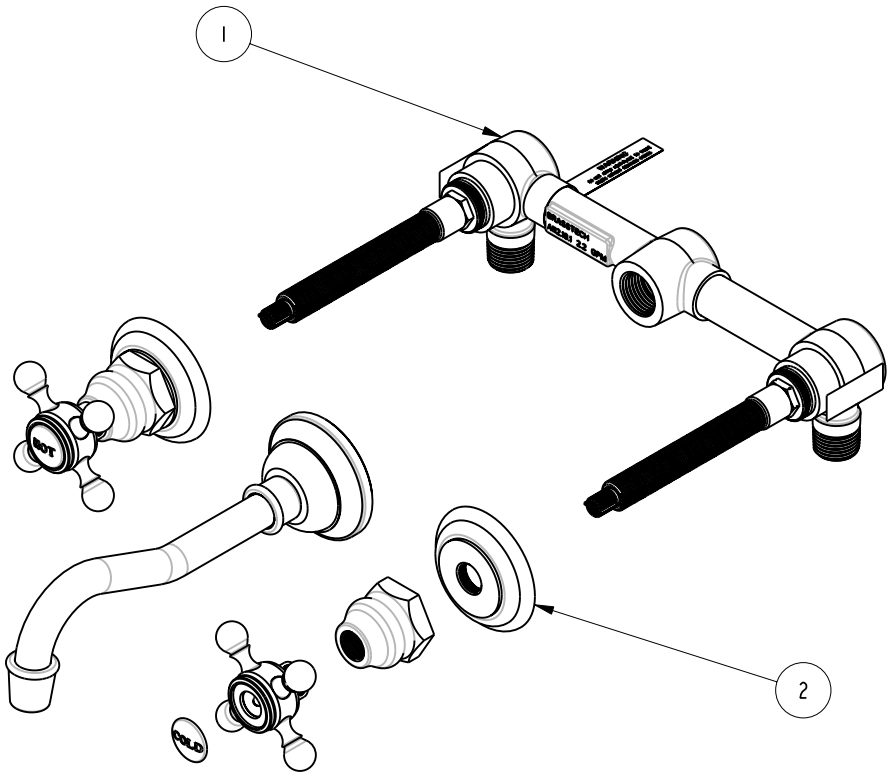
C

B

B

A

A



COPYRIGHT 2005 BRASSTECH, INC. THESE DRAWINGS AND THE DESIGNS DEPICTED HEREIN ARE THE PROPRIETARY PROPERTY OF BRASSTECH. ANY USE OR REPRODUCTION IS SUBJECT TO THE EXPRESS APPROVAL OF BRASSTECH. UNAUTHORIZED USE IS STRICTLY PROHIBITED. ALL RIGHTS RESERVED.

**BRASSTECH**  
 INCORPORATED  
 2001 E. CARNEGIE AVE.  
 SANTA ANA, CA 92705  
 (949) 417-5207

WALL MOUNTED LAV

ASSY. NO. 9301

SCALE .300

REF. -

SHEET 1 OF 3

B	EO-0640	8/23/06
A	NEW AERATOR SHELL	01/20/01
-	RELEASED	03/97
REV	REV DESC	DATE

4

3

2

1

4

3

2

1

BILL OF MATERIAL (CURRENT LEVEL)

ITEM	PT/ASSY	DESCRIPTION	TYPE	QTY.
1	2-218	SPOUT ASM - LAV IN WALL	ASSEMBLY	1
2	3-163C	TRIM KIT - HANDLE/ESCUTCHEON	ASSEMBLY	1
3	3-163H	TRIM KIT - HANDLE/ESCUTCHEON	ASSEMBLY	1

D

D

C

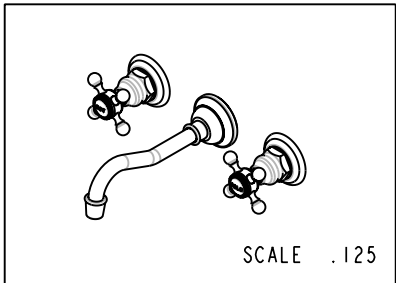
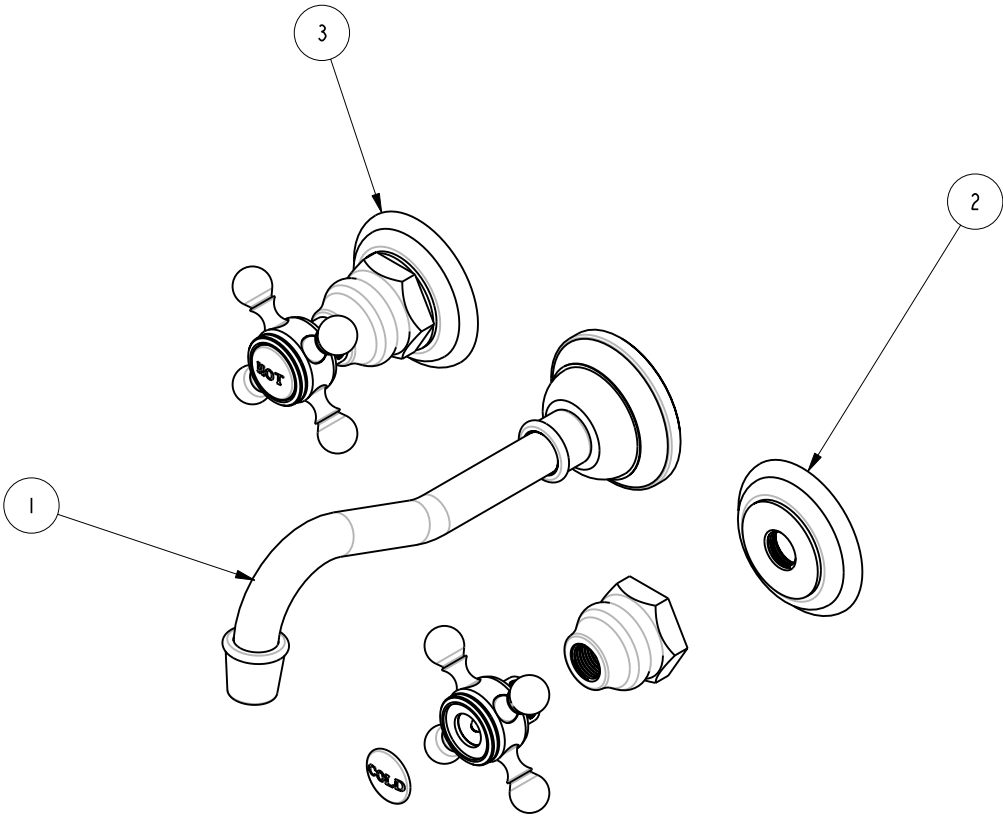
C

B

B

A

A



COPYRIGHT 2005 BRASSTECH, INC. THESE DRAWINGS AND THE DESIGNS DEPICTED HEREIN ARE THE PROPRIETARY PROPERTY OF BRASSTECH. ANY USE OR REPRODUCTION IS SUBJECT TO THE EXPRESS APPROVAL OF BRASSTECH. UNAUTHORIZED USE IS STRICTLY PROHIBITED. ALL RIGHTS RESERVED.

**BRASSTECH**  
 INCORPORATED  
 2001 E. CARNEGIE AVE.  
 SANTA ANA, CA 92705  
 (949) 417-5207

TRIM KIT 3-9301

ASSY. NO. 9301

SCALE .375	REF. -	SHEET 2 OF 3	REV	REV DESC	DATE
------------	--------	--------------	-----	----------	------

B	EO-0640	8/23/06
A	NEW AERATOR SHELL	01/20/01
-	RELEASED	03/97

4

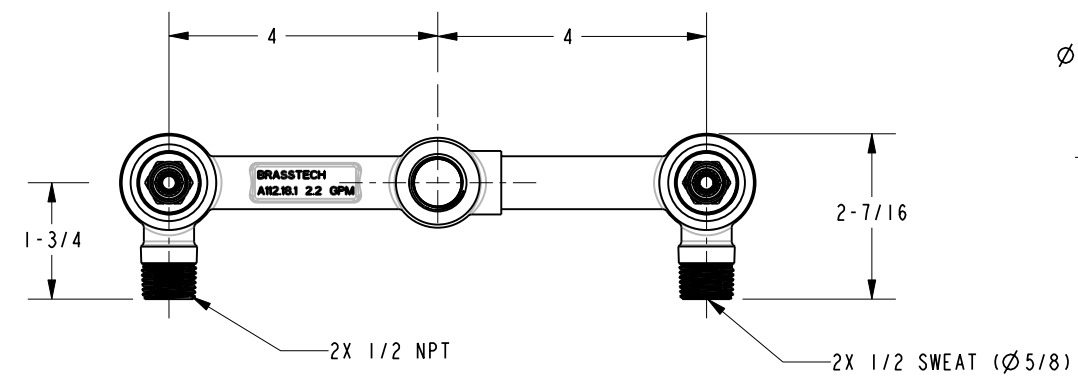
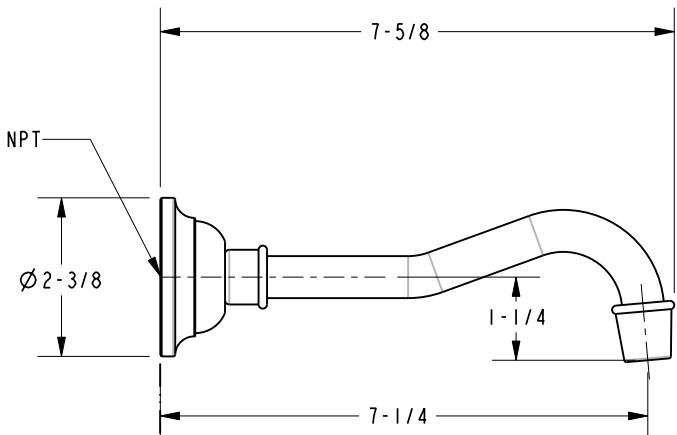
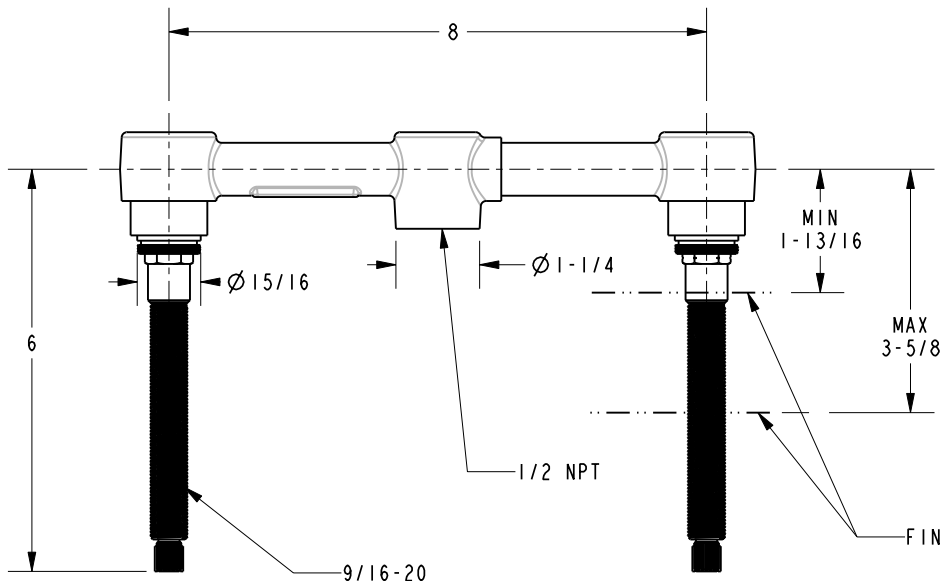
3

2

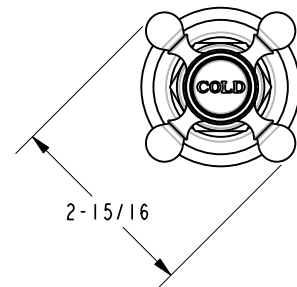
1

**SPECIFICATION DWG**

1. CUT ALL-THREAD 1/2"  
SHORTER THAN STEM



2-1/4  
AMOUNT OF STEM  
REQ. FROM FINISHED WALL  
(SEE NOTE 1)



DIMENSIONS ARE IN INCHES AND AN APPROXIMATION OF A TYPICAL INSTALLATION

COPYRIGHT 2005 BRASSTECH, INC. THESE DRAWINGS AND THE DESIGNS DEPICTED HEREIN ARE THE PROPRIETARY PROPERTY OF BRASSTECH. ANY USE OR REPRODUCTION IS SUBJECT TO THE EXPRESS APPROVAL OF BRASSTECH. UNAUTHORIZED USE IS STRICTLY PROHIBITED. ALL RIGHTS RESERVED.

<b>BRASSTECH</b>		2001 E. CARNEGIE AVE.	
INCORPORATED		SANTA ANA, CA 92705	
DWG NO. 9301		REV B	
SCALE .350	REF. -	SHEET 3 OF 3	