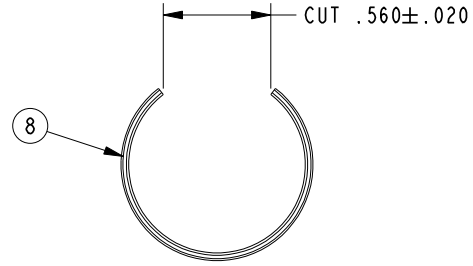


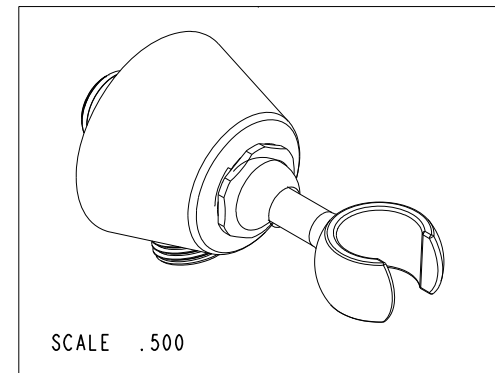
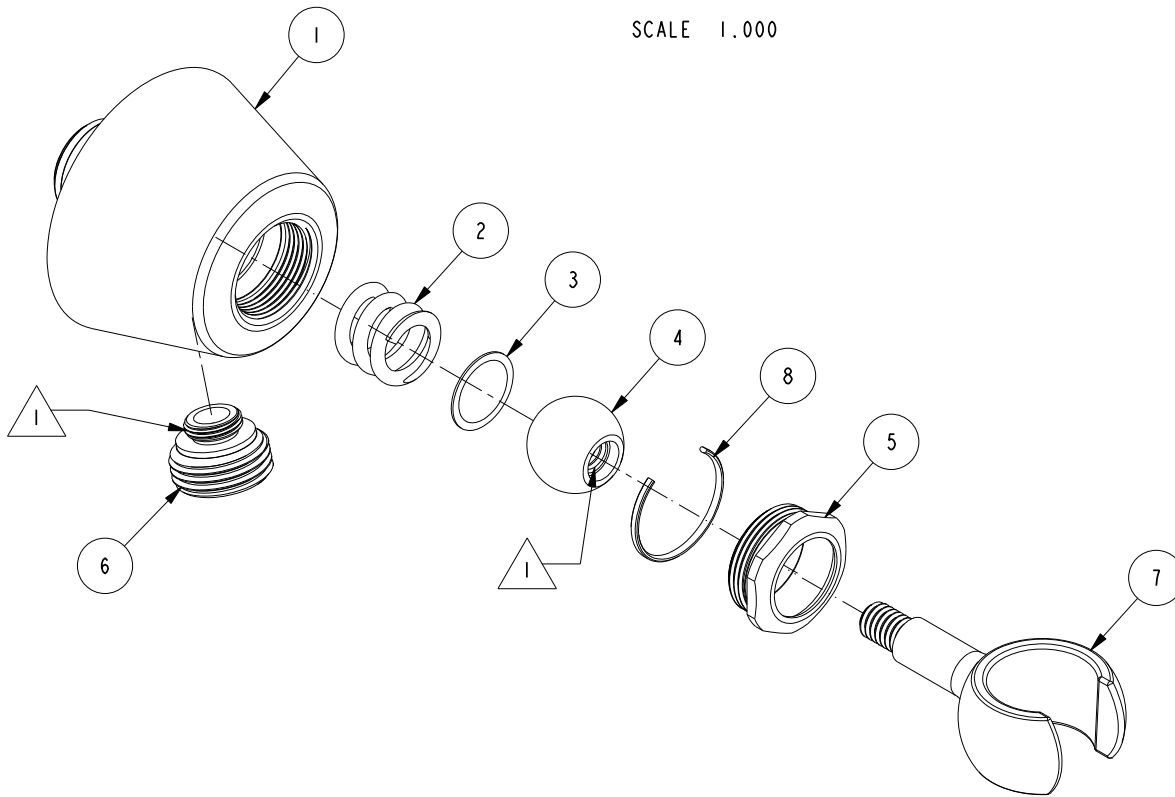
1 APPLY PERMANENT THREAD LOCKER LOCTITE 680.



SCALE 1.000

BILL OF MATERIAL (CURRENT LEVEL)

ITEM	PT/ASSY	DESCRIPTION	TYPE	QTY.
1	50302	BODY	PART	1
2	50300	SPRING - 5/8"	PART	1
3	50301	WSHR, .683 OD X .019 THK, FLARED, STEEL	PART	1
4	50298	PIVOT BALL	PART	1
5	50299	COLLAR NUT	PART	1
6	50290	MALE ADAPTER	PART	1
7	12157	HOLDER - HANDSHOWER	PART	1
8	91157	WSHR, .920 ID X 1.0 OD X .066 THK, FLT, NYLON	PART	1



SCALE .500

COPYRIGHT 2005 BRASSTECH, INC. THESE DRAWINGS AND THE DESIGNS DEPICTED HEREIN ARE THE PROPRIETARY PROPERTY OF BRASSTECH. ANY USE OR REPRODUCTION IS SUBJECT TO THE EXPRESS APPROVAL OF BRASSTECH. UNAUTHORIZED USE IS STRICTLY PROHIBITED. ALL RIGHTS RESERVED.

BRASSTECH
INCORPORATED
2001 E. CARNEGIE AVE.
SANTA ANA, CA 92705
(949) 417-5207

SUPPLY OUTLET WITH HOLDER

ASSY. NO. 288

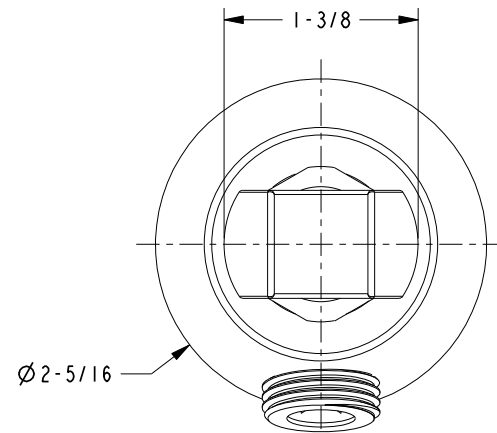
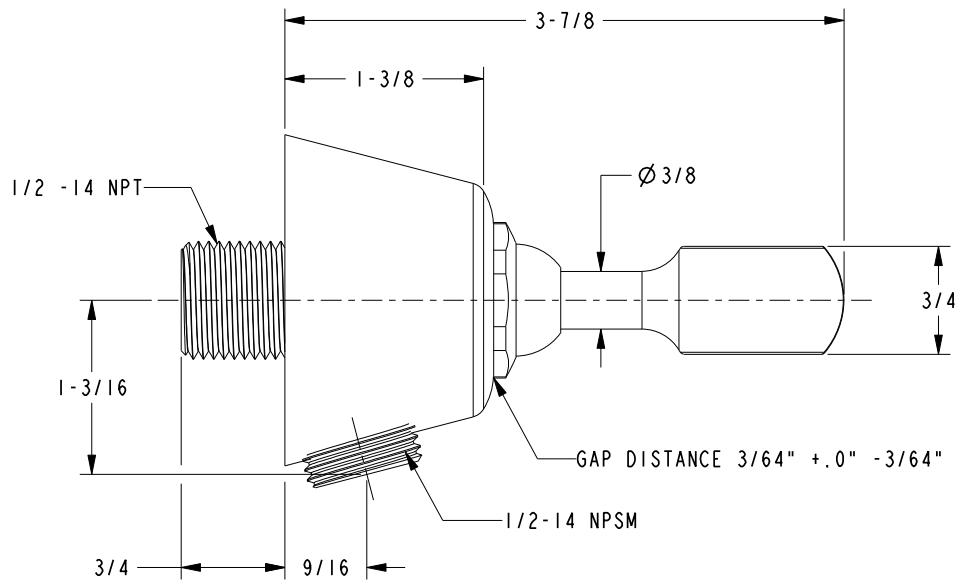
SCALE .650

REF. -

SHEET 1 OF 2

B	EN-2462b	02/07/14
A	EN-2142	04/23/12
-	RELEASED	01/21/11
REV	REV DESC	DATE

SPECIFICATION DWG



DIMENSIONS ARE IN INCHES AND AN APPROXIMATION OF A TYPICAL INSTALLATION

COPYRIGHT 2005 BRASSTECH, INC. THESE DRAWINGS AND THE DESIGNS DEPICTED HEREIN ARE THE PROPRIETARY PROPERTY OF BRASSTECH. ANY USE OR REPRODUCTION IS SUBJECT TO THE EXPRESS APPROVAL OF BRASSTECH. UNAUTHORIZED USE IS STRICTLY PROHIBITED. ALL RIGHTS RESERVED.

BRASSTECH		2001 CARNEGIE AVE. SANTA ANA, CA 92705 (949) 417-5207	
INCORPORATED			
DWG NO.	288	REV	B
SCALE	.750	REF.	-
		SHEET	2 OF 2