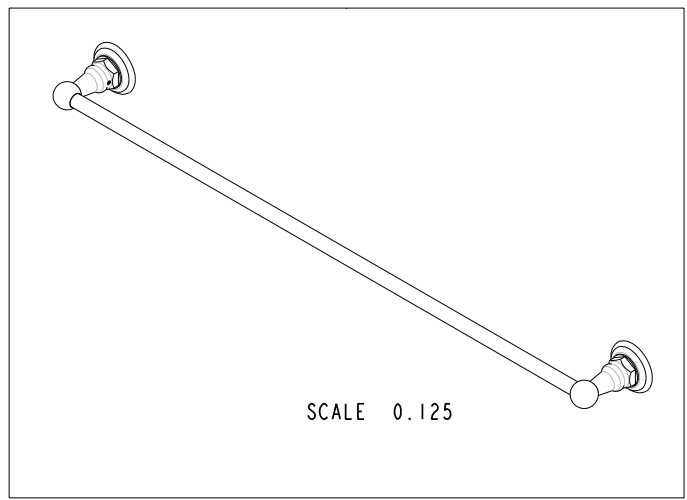


BILL OF MATERIAL (CURRENT LEVEL)				
ITEM	PT/ASSY	DESCRIPTION	TYPE	QTY.
1	40333	ACCESSORY MTG BASE	PART	2
2	10048	ESCUTCHEON W/S VALVE	PART	2
3	7-576	END POST ASSEMBLY	ASSEMBLY	2
4	10125	30 IN. TOWEL BAR	PART	1
5	1-125	HARDWARE KIT	ASSEMBLY	2



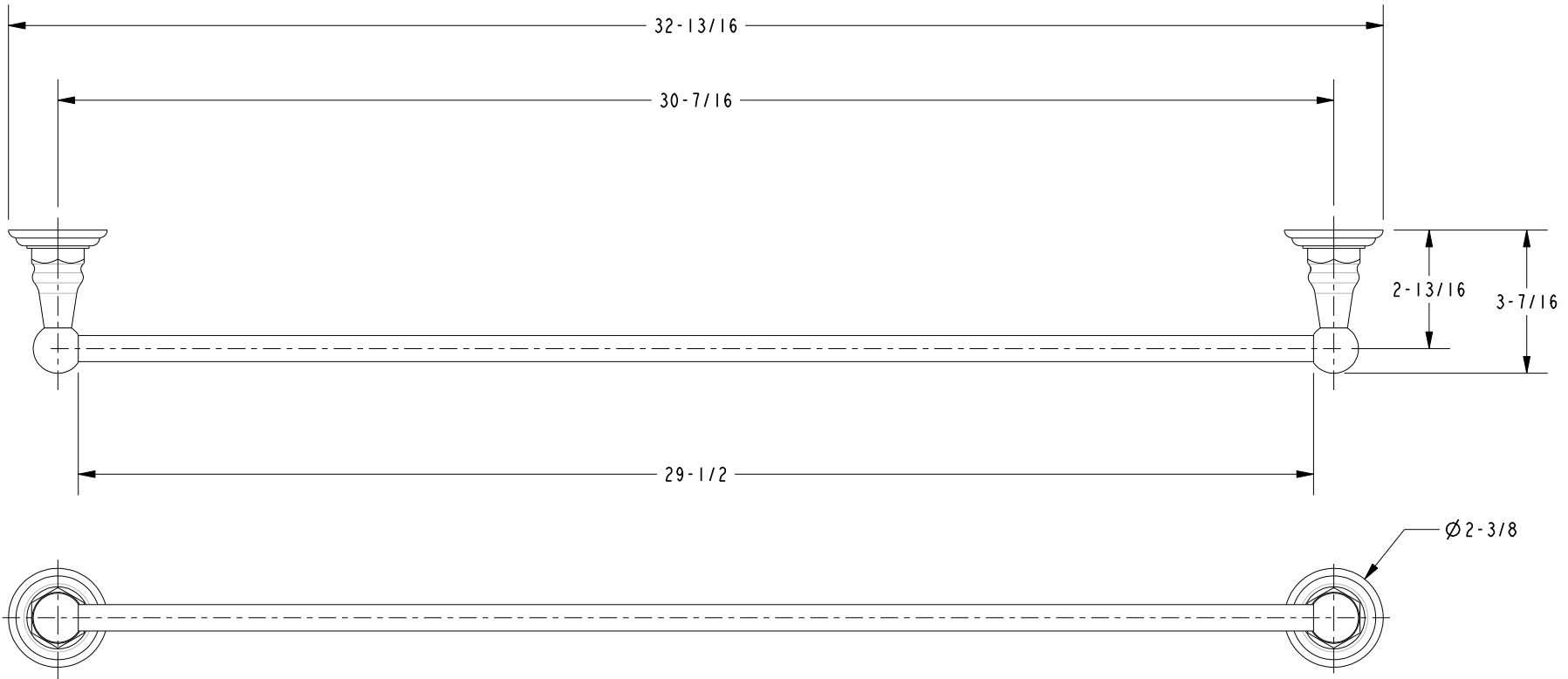
COPYRIGHT 2005 BRASSTECH, INC. THESE DRAWINGS AND THE DESIGNS DEPICTED HEREIN ARE THE PROPRIETARY PROPERTY OF BRASSTECH. ANY USE OR REPRODUCTION IS SUBJECT TO THE EXPRESS APPROVAL OF BRASSTECH. UNAUTHORIZED USE IS STRICTLY PROHIBITED. ALL RIGHTS RESERVED.

BRASSTECH
INCORPORATED
2001 E. CARNEGIE AVE.
SANTA ANA, CA 92705
(949) 417-5207

30 IN. TOWEL BAR

ASSY. NO.	13-03	
SCALE 0.300	REF. -	SHEET 1 OF 2
REV	REV DESC	DATE
B	EN-1241	11/23/09
A	EO-0360	06/30/04
-	RELEASED	04/04/03

SPECIFICATION DWG



DIMENSIONS ARE IN INCHES AND AN APPROXIMATION OF A TYPICAL INSTALLATION

COPYRIGHT 2005 BRASSTECH, INC. THESE DRAWINGS AND THE DESIGNS DEPICTED HEREIN ARE THE PROPRIETARY PROPERTY OF BRASSTECH. ANY USE OR REPRODUCTION IS SUBJECT TO THE EXPRESS APPROVAL OF BRASSTECH. UNAUTHORIZED USE IS STRICTLY PROHIBITED. ALL RIGHTS RESERVED.

BRASSTECH		2001 E. CARNEGIE AVE.	
INCORPORATED		SANTA ANA, CA 92705	
		(949) 417-5207	
DWG NO.	13-03	REV	B
SCALE	0.250	REF.	-
		SHEET	2 OF 2