

# ANNABELLA

## Towel Ring **10-09**

### Features

- Solid brass construction
- Single-post, horizontal pivot design with hanging, closed ring
- Complements Annabella product series

### Codes / Standards Compliance

Meets or exceeds the following at date of manufacture:

- All applicable US Federal and State material regulations

### Colors / Finishes

- 10B: Oil Rubbed Bronze
- 15: Polished Nickel
- 15S: Satin Nickel - PVD
- 26: Polished Chrome
- Other: Refer to the Newport Brass catalog for additional color/finish options.



### Specified Model

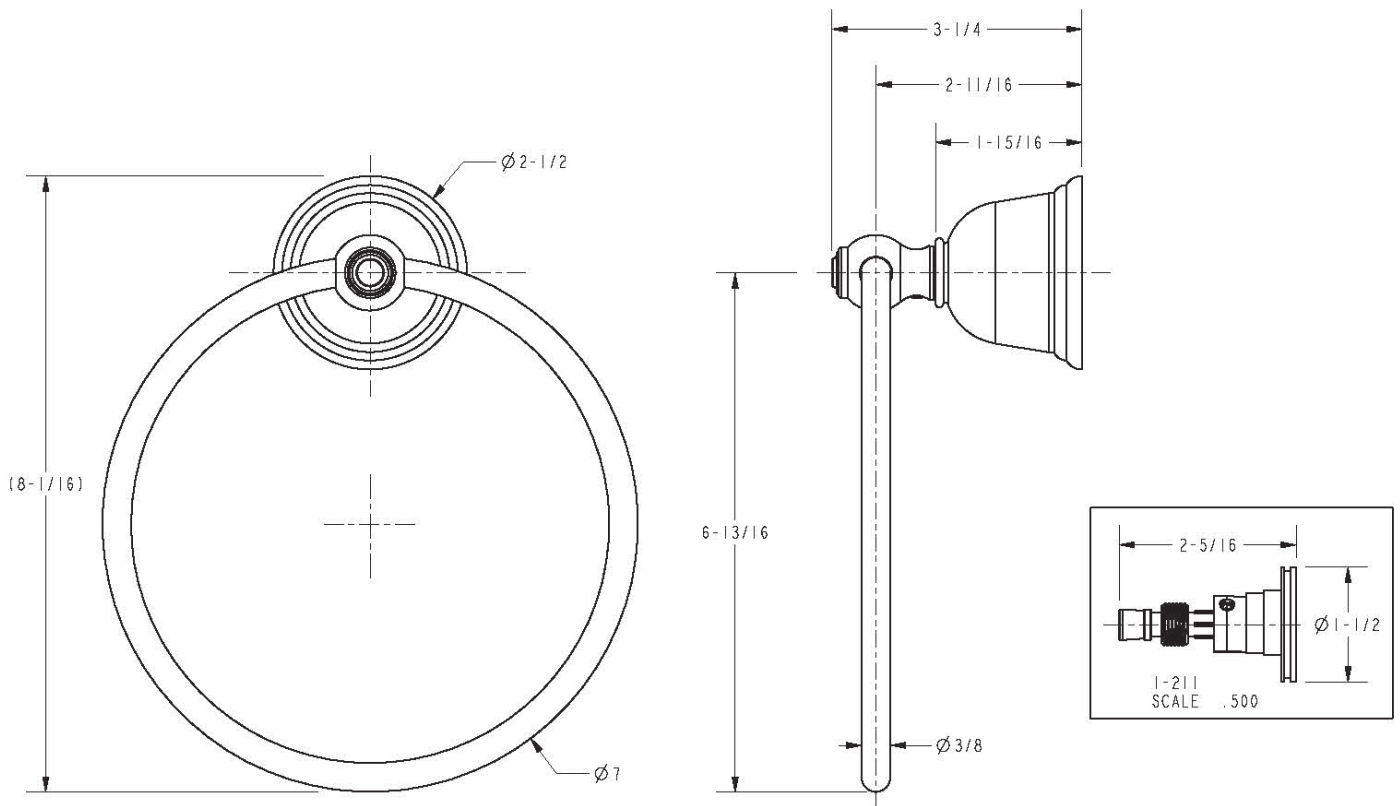
Model	Description	Colors   Finishes
10-09	Towel Ring	<input type="checkbox"/> 10B <input type="checkbox"/> 15 <input type="checkbox"/> 15S <input type="checkbox"/> 26 <input type="checkbox"/> Other

### Product Specification: Add "Color / Finish" suffix to Model number, below.

The Towel Ring shall be made of solid brass construction and incorporate a single-post, horizontal pivot design with hanging, closed ring. Towel Ring shall complement Newport Brass Annabella product series. Towel Ring shall be Newport Brass Model 10-09/\_\_\_\_\_.

# 10-09

## PRODUCT DIMENSIONS *(Units are in inches)*



**Annabella Towel Ring**  
**10-09**

Page 2 of 2 Spec\_10-09\_b\_4.16

**NEWPORT BRASS**  
Flawless Beauty. From Faucet to Finish.™

t: 949.417.5207 | www.newportbrass.com  
©2016 Brasstech, Inc.