

MODEL 375, 475 and 475V

Reduced Pressure Principle – Backflow Preventers 2-1/2" and 3"



Repair Kit Components		2-1/2"		2-1/2" and 3"							3"
Item #	Item Description	212-BK	RK212-350	RK212-375CK1	RK212-350CK2	RK212-RV375-HOSE	RK212-RV-ASSY	RK212-LBF-VLV-COVER	BRK212-300-SEAT1-RTNR	BRK212-300-SEAT2-RTNR	3-BK
1	Bolt, Flange	•(x8)									•(x8)
2	Nut, Flange	•(x8)									•(x8)
3	Gasket, Flange	•(x2)									•(x2)
4	O-Ring, Relief Valve						•				
5	Relief Valve Assembly						•				
6	Bolt, Relief Valve						•(x2)				
7	Seat Retainer #1			•					•(x6)		
8	Seat Retainer #2				•					•(x6)	
9	O-Ring, Seat		•(x2)	•	•						
10	Nut, Poppet Retainer			•	•						
11	Washer, #1 Check			•							
12	Washer, #2 Check				•						
13	O-Ring, Stem		•(x2)	•	•						
14	Poppet Retainer			•	•						
15	Seal Ring		•(x2)	•	•						
16	Seat Assembly, #1 Poppet			•							
17	Seat Assembly, #2 Poppet				•						
18	Sensing Tube Fitting, Relief Valve Cover					•	•				
19	Sensing Tube Fitting, Body					•					
20	Sensing Tube					•					

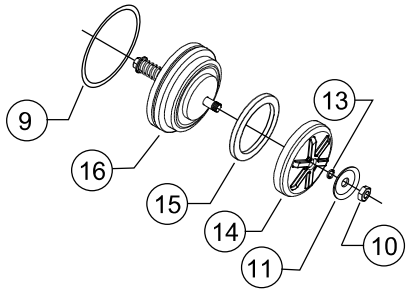
Whole Goods (Available for individual sale)		
Item #	Item Description	3"
21	Gate Valve, NRS (FxF)	212-48
	Gate Valve, NRS (GxF)	212-48GXF
	Gate Valve, OS&Y (FxF)	212-480SY
	Gate Valve, OS&Y (GXF)	212-480SYGXF
	Butterfly Valve (GXF)	212-49GXF
22	Ball Valve, FxF	12-850XL
23	Ball Valve, MxF	12-850MXL
24	Cover Retainer Assembly	5-23
25	Bulkhead Fitting	BHFICXL-100
26	Sensing Bulkhead Fitting	BHFIBXL-100
27	Cover	RK212-LBF-VLV-COVER

Item No.	Repair Kit Description
2-1/2"	
212-BK	Flanged Kit, 2 1/2"
2 1/2" and 3"	
RK212-350	Rubber Repair Kit, 2-1/2" and 3" 375, 475, and 475V
RK212-375CK1	First Check Assembly Repair Kit, 2-1/2" and 3" 375, 475, and 475V
RK212-350CK2	Second Check Assembly Repair Kit, 2-1/2" and 3" 375, 475, and 475V
RK212-RV375-HOSE	Relief Valve Hose Repair Kit, 2-1/2" and 3" 375, 475, and 475V
RK212-RV-ASSY	Complete Relief Valve Repair Kit, 2-1/2" and 3" 375, 475, and 475V
RK212-LBF-VLV-COVER	Cover Repair Kit, 2-1/2" and 3" 375, 475, and 475V
BRK212-300-SEAT1-RTNR	#1 Check Seat Retainer Bulk Kit, 2-1/2" and 3" 375, 475, and 475V
BRK212-300-SEAT2-RTNR	#2 Check Seat Retainer Bulk Kit, 2-1/2" and 3" 375, 475, and 475V
3"	
3-BK	Flanged Kit, 3"

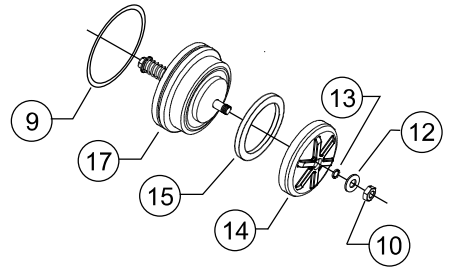
MODEL 375, 475 and 475V

Reduced Pressure Principle – Backflow Preventers 2-1/2" and 3"

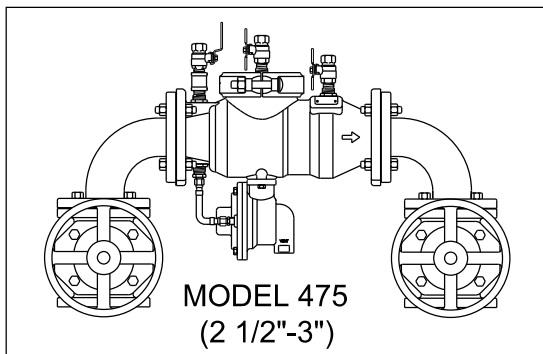
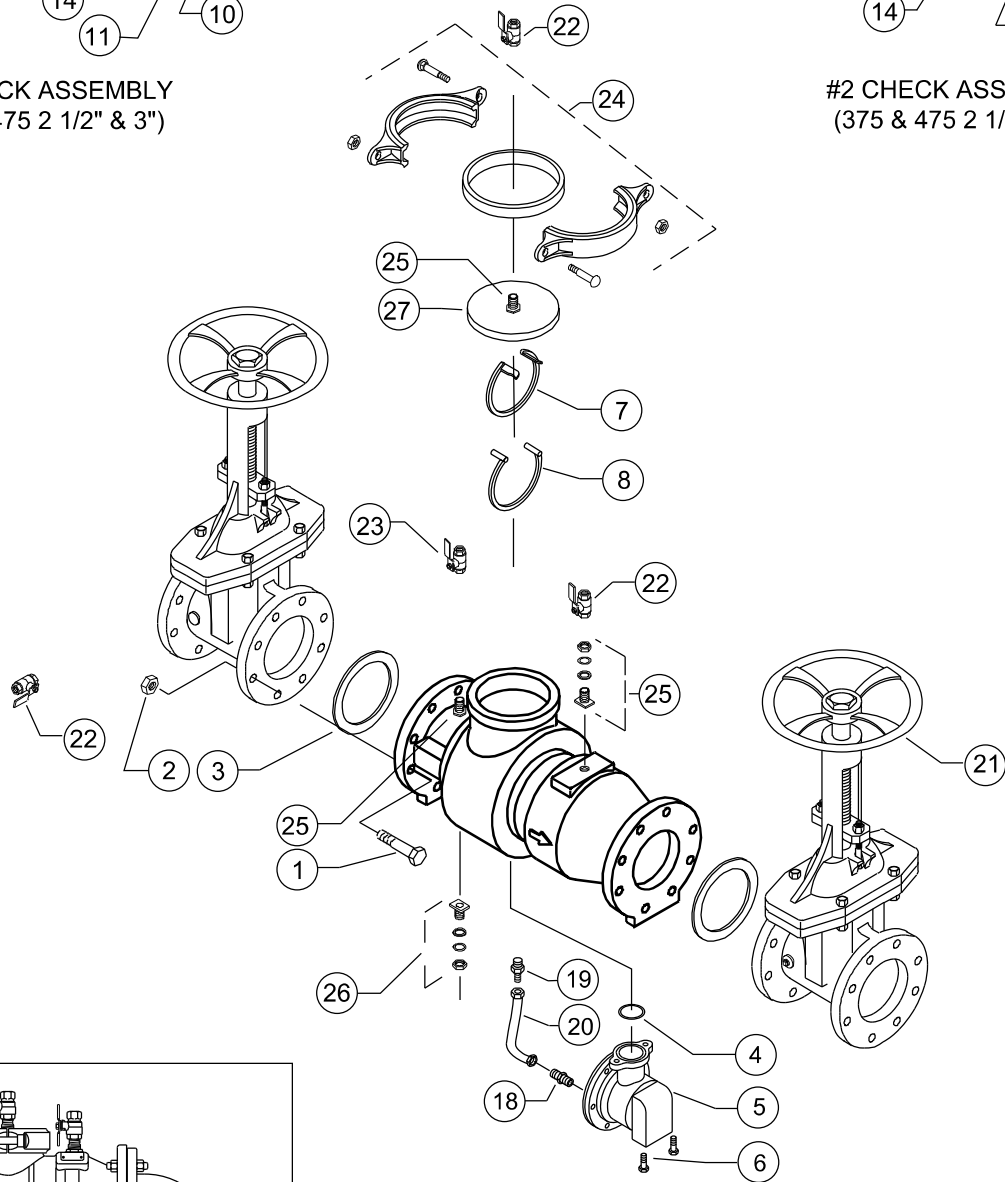
Parts Drawing



#1 CHECK ASSEMBLY
(375 & 475 2 1/2" & 3")



#2 CHECK ASSEMBLY
(375 & 475 2 1/2" & 3")



MODEL 375
(2 1/2"-3")