



Flanged Coupling Adapter

Ductile Iron (OMNI compatible gasket)

912

IMPORTANT LINKS

Click appropriate words to go to:

[Standard Limited Warranty](#)
[Sales Terms & Conditions](#)
[Freight Policy](#)
[Returns Policy](#)
[Corrosion & Product Selection Notice](#)



Description: Cast flanged coupling adapter

Application: For joining plain end pipe to flanged valves and fittings.

Key Features:

- Heavy cast Ductile Iron parts for long life
- Shipped complete, including flange bolts
- Meets applicable AWWA C219 Standards
- Optional anchor studs provide joint restraint capability to secure the plain pipe end
- Provides a quick means of removing and reinstalling a flanged fitting already in line
- Compatible with Omni Coupling System gaskets to give your inventory more flexibility
- Most applications are stab fit making installation easy. No disassembly required for other application types
- One body per nominal pipe size takes the guess work out of deciding which body to choose. Just add the correct color flanges and Omni gasket
- Follower flanges are color coded by general pipe type. Blue for ductile O.D., red for iron pipe size O.D. and gray for Asbestos Cement O.D.
- Coupling end helps relieve stress, absorbs vibration and accepts deflection in the piping system
- No need for field fabrications. FCA's work with plain-end pipe to make the flanged connection

Materials Specifications (subject to change):

BODY: Ductile Iron ASTM A536, bolt circle, bolt size and spacing conform to ANSI 1b. flange drilling

FOLLOWER: Ductile Iron ASTM A536

GASKET: Nitrile (Buna N) Certified to NSF/ANSI 61. Compounded to produce superior storage and performance characteristics while resisting water, acids, alkalis, most (aliphatic) hydrocarbon fluids and other chemicals

Temperature Range: -20°F to 180°F. NOTE: Consult manufacturer for specific applications or other service temperatures.

O-RING: Nitrile

BOLTS & NUTS: Carbon Steel ASTM A307 electro-galvanized with di-chromate seal.

Optional 304 Stainless Steel

TEE BOLTS: Ductile Iron

CROSS BOLTS: Ductile Iron

STUDS: ASTM A193 Grade B7 electro-galvanized with dichromate seal. *Optional 304 Stainless Steel*

FINISH: Flexi-Coat®, Fusion-Bonded Epoxy Finish

Working Pressure: Up to 250 PSI.

Pipe Applications: Steel, Cast Iron, Asbestos Cement, Ductile Iron, PVC

Sizes (in inches): 3, 4, 6, 8, 10, 12



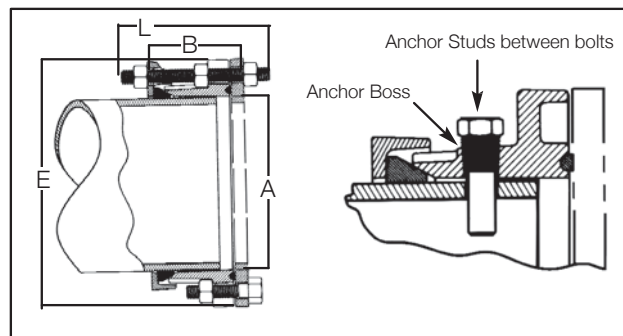
912

Flanged Coupling Adapter

Ductile Iron (OMNI compatible gasket)

Uses Cross Bolts and T-Bolts

NOM SIZE INCHES	O.D. RANGE INCHES	CATALOG NUMBER	WEIGHT EACH LBS.	OPTIONAL ANCHOR STUDS		DIMENSIONS/INCHES			
				QTY	*PSI	A	B	E	L
3	2.85-3.13	912-91031303-000	17	N/A	N/A	3 7/8	3	7 3/4	4 9/16
	3.44-3.62	912.91035003-000	17	2	175	3 7/8	3	7 3/4	4 9/16
	3.80-3.96	912-91039603-000	17	2	175	3 7/8	3	7 3/4	4 9/16
	3.97-4.14	912-91041403-000	17	2	175	3 7/8	3	7 3/4	4 9/16
4	4.00-4.15	912-91041504-000	22	N/A	N/A	5 1/4	3	9 1/32	4 7/8
	4.22-4.50	912-91045004-000	22	2	175	5 1/4	3	9 1/32	4 7/8
	4.46-4.86	912-91048604-000	22	2	175	5 1/4	3	9 1/32	4 7/8
	4.80-5.10	912-91051004-000	22	2	175	5 1/4	3	9 1/32	4 7/8
6	6.00-6.15	912-91061506-000	29	2	125	7 1/4	3 1/2	10 7/8	5 3/4
	6.28-6.63	912-91066306-000	29	N/A	N/A	7 1/4	3 1/2	10 7/8	5 3/4
	6.56-6.96	912-91069606-000	29	2	175	7 1/4	3 1/2	10 7/8	5 3/4
	6.90-7.20	912-91072006-000	29	2	175	7 1/4	3 1/2	10 7/8	5 3/4
8	8.00	912-91080008-000	40	N/A	N/A	9 13/32	3 1/2	13 3/8	5 7/8
	8.40-8.63	912-91086308-000	40	2	100	9 13/32	3 1/2	13 3/8	5 7/8
	8.54-9.11	912-91091108-000	40	2	100	9 13/32	3 1/2	13 3/8	5 7/8
	9.05-9.40	912-91094008-000	40	2	175	9 13/32	3 1/2	13 3/8	5 7/8
10	10.00	912-91100010-000	60	N/A	N/A	11 5/8	4	15 7/8	6 3/8
	10.50-10.75	912-91107510-000	60	4	100	11 5/8	4	15 7/8	6 3/8
	11.10-11.60	912-91116010-000	60	4	120	11 5/8	4	15 7/8	6 3/8
	11.65-11.88	912-91118810-000	60	N/A	N/A	11 5/8	4	15 7/8	6 3/8
	11.90-11.95	912-91119510-000	60	N/A	N/A	11 5/8	4	15 7/8	6 3/8
12	12.00	912-91120012-000	80	N/A	N/A	14	4	18 3/4	6 3/8
	12.50-12.75	912-91127512-000	80	6	100	14	4	18 3/4	6 3/8
	13.20-13.50	912-91135012-000	80	6	100	14	4	18 3/4	6 3/8
	13.50-13.75	912-91137512-000	80	N/A	N/A	14	4	18 3/4	6 3/8
	13.90-14.20	912-91142012-000	80	N/A	N/A	14	4	18 3/4	6 3/8



Anchor Studs will be installed at the factory on customer request only.

Uses Studs Instead of Cross Bolts

NOM SIZE INCHES	O.D. RANGE INCHES	CATALOG NUMBER	WEIGHT EACH LBS.	OPTIONAL ANCHOR STUDS		DIMENSIONS/INCHES			
				QTY.	*PSI	A	B	E	L
3	2.85-3.13	912-90031303-000	17	N/A	N/A	3 7/8	3	7 3/4	4 9/16
	3.44-3.62	912-90035003-000	17	2	175	3 7/8	3	7 3/4	4 9/16
	3.80-3.96	912-90039603-000	17	2	175	3 7/8	3	7 3/4	4 9/16
	3.97-4.14	912-90041403-000	17	2	175	3 7/8	3	7 3/4	4 9/16
4	4.00-4.15	912-90041504-000	22	N/A	N/A	5 1/4	3	9 1/32	4 7/8
	4.22-4.50	912-90045004-000	22	2	175	5 1/4	3	9 1/32	4 7/8
	4.46-4.86	912-90048604-000	22	2	175	5 1/4	3	9 1/32	4 7/8
	4.80-5.10	912-90051004-000	22	2	175	5 1/4	3	9 1/32	4 7/8
6	6.00-6.15	912-90061506-000	29	N/A	N/A	7 1/4	3 1/2	10 7/8	5 3/4
	6.28-6.63	912-90066306-000	29	2	125	7 1/4	3 1/2	10 7/8	5 3/4
	6.56-6.96	912-90069606-000	29	N/A	175	7 1/4	3 1/2	10 7/8	5 3/4
	6.90-7.20	912-90072006-000	29	2	175	7 1/4	3 1/2	10 7/8	5 3/4
8	8.00	912-90080008-000	40	N/A	N/A	9 13/32	3 1/2	13 3/8	5 7/8
	8.40-8.63	912-90086308-000	40	2	100	9 13/32	3 1/2	13 3/8	5 7/8
	8.54-9.11	912-90091108-000	40	2	100	9 13/32	3 1/2	13 3/8	5 7/8
	9.05-9.40	912-90094008-000	40	2	175	9 13/32	3 1/2	13 3/8	5 7/8
10	10.00	912-90100010-000	60	N/A	N/A	11 5/8	4	15 7/8	6 3/8
	10.50-10.75	912-90107510-000	60	4	100	11 5/8	4	15 7/8	6 3/8
	11.10-11.60	912-90116010-000	60	4	120	11 5/8	4	15 7/8	6 3/8
	11.65-11.88	912-90118810-000	60	N/A	N/A	11 5/8	4	15 7/8	6 3/8
	11.90-11.95	912-90119510-000	60	N/A	N/A	11 5/8	4	15 7/8	6 3/8
12	12.00	912-90120012-000	80	N/A	N/A	14	4	18 3/4	6 3/8
	12.50-12.75	912-90127512-000	80	6	100	14	4	18 3/4	6 3/8
	13.20-13.50	912-90135012-000	80	6	100	14	4	18 3/4	6 3/8
	13.50-13.75	912-90137512-000	80	N/A	N/A	14	4	18 3/4	6 3/8
	13.90-14.20	912-90142012-000	80	N/A	N/A	14	4	18 3/4	6 3/8

OMNI Nuts

NOMINAL SIZE INCHES	SIZE INCHES	+NUT ELECTRO-GALVANIZED	+NUT STAINLESS STEEL	+NUT LOW ALLOY
3" - 4"	5/8	100025-001	100025-202	100025-005
6" - 8"	3/4	100032-001	100032-202	100032-005
10" - 12"	7/8	100072-001	100072-202	100072-005

OMNI Parts

NOMINAL SIZE INCHES	O.D. RANGE INCHES	FOLLOWER FLANGE PART NUMBER	BODY PART NUMBER	"O" RING FLANGE GASKET NUMBER	BOLT OR STUD PART NUMBER*	CPLG. GASKET PART NUMBER	CROSS BOLT PART NUMBER	TEE BOLT PART NUMBER	
3"	2.85-3.13	22137-045	60265-045	30019-069	(4) 90532 5/8 x 7	34610-069	(4) 90809 5/8 x 7	-	
	3.44-3.62	22137-045	60265-045	30019-069		33829-069			
	3.80-3.96	22138-045	60265-045	30019-069		33830-069			
	3.97-4.14	22138-045	60265-045	30019-069		33831-069			
4"	3.96-4.15	22139-045	60266-045	30023-069	(4) 90364 5/8 x 3	33809-069	(4) 90809 5/8 x 7	(4) 90812 5/8 x 3	
	4.22-4.50	22139-045	60266-045	30023-069	(4) 90532 5/8 x 7	33810-069			
	4.46-4.86	22575-045	60266-045	30023-069		34578-069			
	4.80-5.10	22140-045	60266-045	30023-069		33811-069			
6"	6.00-6.15	22141-045	60267-045	30024-069	(4) 90536 3/4 x 3 1/4	33801-069	(4) 90810 3/4 x 8	(4) 90813 3/4 x 3 1/4	
	6.28-6.63	22141-045	60267-045	30024-069	(4) 90533 3/4 x 8	33802-069			
	6.56-6.96	22576-045	60267-045	30024-069		34579-069			
	6.90-7.20	22142-045	60267-045	30024-069		33803-069			
8"	8.00-8.16	22144-045	60268-045	30025-069	(4) 90536 3/4 x 3 1/4	33805-069	(4) 90810 3/4 x 8	(4) 90813 3/4 x 3 1/4	
	8.40-8.63	22144-045	60268-045	30025-069	(4) 90533 3/4 x 8	33806-069			
	8.54-9.11	22577-045	60268-045	30025-069		34580-069			
	9.05-9.40	22145-045	60268-045	30025-069		33846-069			
10"	10.00	22147-045	60269-045	30026-069	(6) 90537 7/8 x 3 3/4	33860-069	(6) 90811 7/8 x 9	(6) 90814 7/8 x 3 3/4	
	10.50-10.75	22147-045	60269-045	30026-069		33813-069			
	11.10-11.60	22148-045	60269-045	30026-069		33814-069			
	11.65-11.88	22149-045	60269-045	30026-069		(6) 90534 7/8 x 9			33815-069
	11.90-11.95	22149-045	60269-045	30026-069		33816-069			
12"	12.00	22150-045	60270-045	30027-069	(6) 90537 7/8 x 3 3/4	33859-069	(6) 90811 7/8 x 9	(6) 90814 7/8 x 3 3/4	
	12.50-12.75	22150-045	60270-045	30027-069		33817-069			
	13.20-13.50	22151-045	60270-045	30027-069		33820-069			
	13.51-13.75	22151-045	60270-045	30027-069		(6) 60534 7/8 x 9			33821-069
	13.90-14.20	22152-045	60270-045	30027-069		33818-069			