



3" One Bolt Repair Clamps

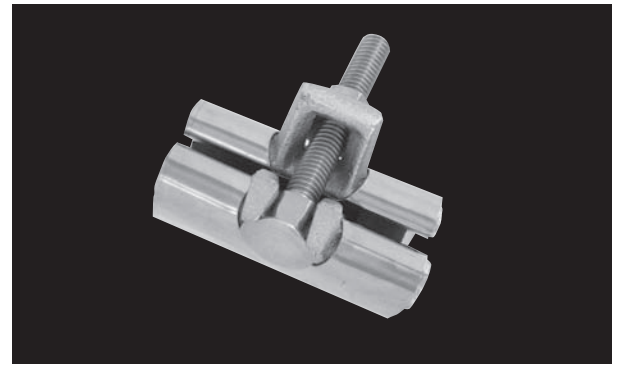
Product Features

- Plated lug, carriage bolts and nuts for corrosion protection
- Stainless steel clamp with NBR gaskets for up to 180°F working temperature
- For use with Rigid Copper, PVC, Galvanized, and Iron Pipe

Meets the following qualifications

Bands: 18-8 Type 304 Stainless Steel
 Lugs: Malleable Iron Per ASTM A47 Grade 32510
 Gasket: NBR
 Bolts & Nuts: ASTM A307

*NBR resists oil-based hydraulic fluids, fats, animal and vegetable oils, flame retardant liquids, grease, water and air.
 Working temperature range -30°F to 180°F

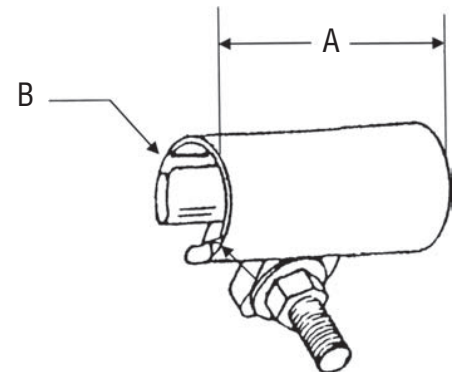


PFRCHM

3" One Bolt Clamp

MODEL NO.	A		B (IPS/SCH.40)		B (CTS NOM.)	
	in	mm	in	mm	in	mm
PFRCDM	3	76.2	1/2	12.7	3/4	10.05
PFRCFM	3	76.2	3/4	10.05	1	25.4
PFRCGM	3	76.2	1	25.4	1-1/4	31.75
PFRCHM	3	76.2	1-1/4	31.75	1-1/2	38.1
PFR CJM	3	76.2	1-1/2	38.1	-	-
PFRCKM	3	76.2	2	50.8	-	-

Product Specifications



Warranty and Codes

This PROFLO product carries a 1-year limited warranty.

Distributed Exclusively by Ferguson and Wolseley Canada