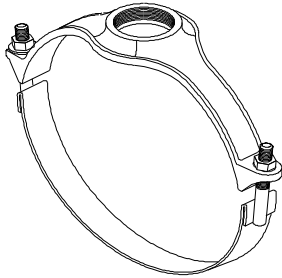


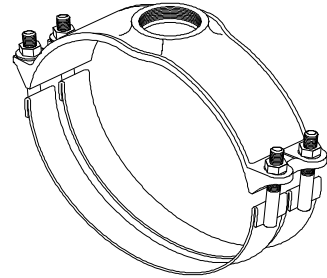


TYPE 315 & 317 SERVICE SADDLES

INSTALLATION INSTRUCTIONS

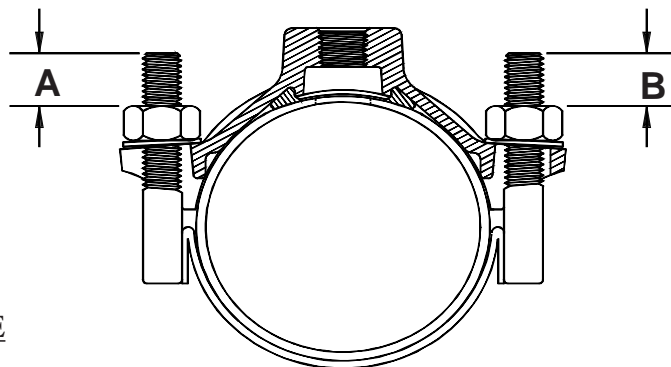


**TYPE
315**



**TYPE
317**

- Clean pipe surface thoroughly, particularly in area where gasket will seat.
- Check gasket for proper positioning in saddle body.
- Lubricate pipe and face of gasket with a suitable lubricant.
- Mount saddle body (with gasket in place) on pipe.
- Install saddle strap(s), nuts and washer(s).
- Prior to tightening, position saddle as required to suit installation.
- Tighten nuts progressively and uniformly (40 ft. lbs. maximum recommended torque).
- **Do Not Over Torque!** Over torquing will not increase sealing ability and may cause failure in the pipe or saddle.
- **Caution!** - Bolt length A & B must be kept equal.
- Make connection to saddle boss. Suitable pipe thread sealant is recommended. Do not cross thread.



NOTE:

Use of this product on PLASTIC PIPE is limited to the following:

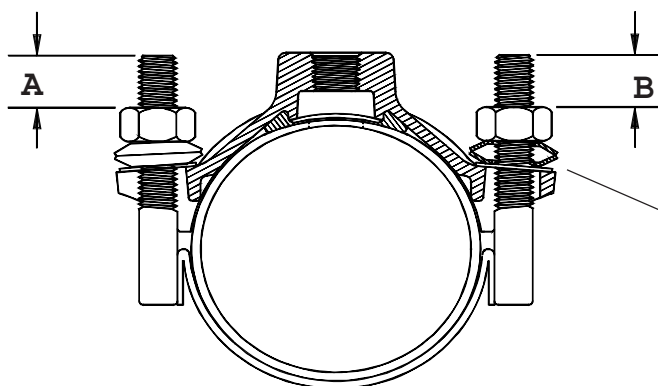
1. 4.50 - 12.75 Steel O.D. PVC Pipe with a standard dimension ratio of 26 or less.
2. 4.80 - 21.60 Cast Iron O.D. C-900 PVC Pipe Class 150 rating or better (DR18).

Do not use on fiberglass reinforced plastic pipe, plastic irrigation pipe, or plastic pipe other than sizes and types mentioned above. See other side for P.E. pipe installation instructions.

TYPE 317 - P.E. SERVICE SADDLES

INSTRUCTIONS FOR INSTALLATION ON POLYETHYLENE PIPE

SMITH-BLAIR Belleville Washers - P/N 150115-002 Must Be Used On P.E. Pipe Installations. Use Of Any Other Type Spring Washer May Cause Product Failure.



Because of P.E.'s thermal contraction, Belleville spring washers are required on the straps.

- Clean pipe surface thoroughly, particularly in area where gasket will seat.
- Check gasket for proper positioning in saddle body.
- Lubricate pipe and face of gasket with a suitable lubricant.
- Mount saddle body (with gasket in place) on pipe.
- Install saddle strap(s), nuts and washer(s). Place Belleville washers under nuts as shown.
- Prior to tightening, position saddle as required to suit installation.
- Tighten nuts progressively and uniformly (40 ft. lbs. maximum recommended torque).
- **Do Not Over Torque!** Over torquing will not increase sealing ability and may cause failure in the pipe or saddle.
- **Caution!** - Bolt length A & B must be kept equal.
- Make connection to saddle boss. Suitable pipe thread sealant is recommended. Do not cross thread.

NOTE:

Use of this product on POLYETHYLENE PIPE is limited to the following:

1. 4" - 16" Nominal P.E. Pipe with a standard dimension ratio (DR) of 17 or less.



Smith-Blair
a xylem brand