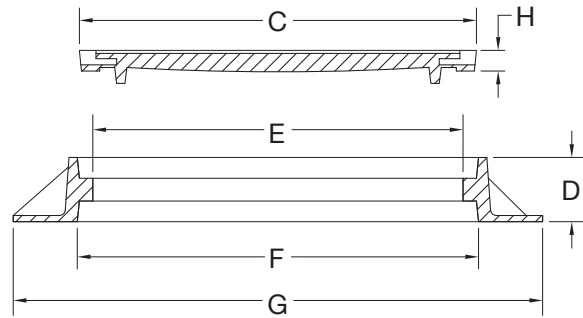
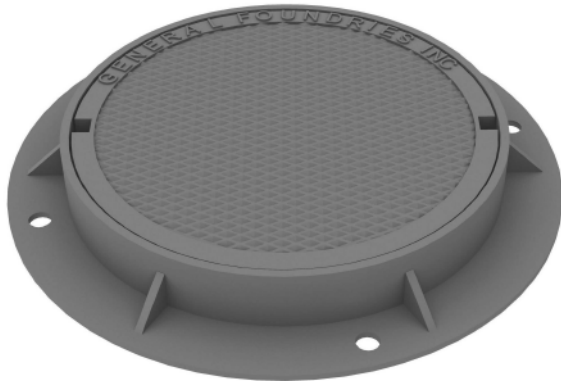


	COVER DIAMETER	FRAME HEIGHT	CLEAR OPENING	FLANGE ID	FLANGE OD	COVER THICKNESS
PRODUCT NO.	C	D	E	F	G	H
11237	12	3	10-1/2	12-1/4	16-1/2	1
11837	18	3	16-1/2	18-1/4	22-1/2	1
12037	20	3	18-1/2	20-1/4	24-1/2	1
12437	23-3/4	3	22	24	28	1
13037	29-3/4	3	27-3/4	30	36	1

NOTES:

- Dimensions are approximate & in inches
- Gray Iron, Class 30B
- Conforms to ASTM A48 / A48M-03 specifications
 - * Please specify if required in Class 35B or Ductile Iron
- Markings: Plain, Drain, Septic, Sewer
 - * Custom markings / logos available upon request



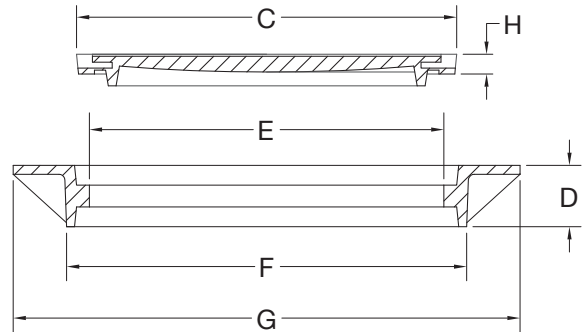
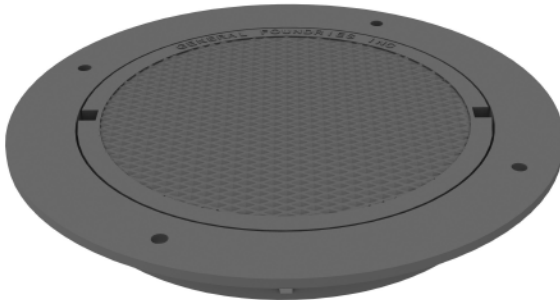


PRODUCT NO.	C COVER DIAMETER	D FRAME HEIGHT	E CLEAR OPENING	F FLANGE ID	G FLANGE OD	H COVER THICKNESS
11861	17-7/8	6	16-1/2	18-1/4	26	1
12061	20	6	18-1/2	20-3/8	28	1-1/4
12441	24	4	22-3/8	24-1/4	32	1-3/8
12461	24	6	22-3/8	24	34	1-3/8
12471	24	7	22-1/2	24-7/16	34	1-3/8
12481	24	8	22-3/8	24-5/8	34	1-3/8
12641	25-3/4	4	24	26	34	1-3/8
12661	25-3/4	6	24	26-5/8	34	1-3/8
12681	25-3/4	8	24	27	34-1/2	1-3/8
12640	26	4	24-1/4	26-1/2	34-1/4	1-1/8
12660	26	6	24-1/4	26-1/2	34-1/4	1-1/8
12680	26	8-1/8	24-1/4	26-1/2	34-1/4	1-1/8
12741	26-3/4	4	24	27	39	1-1/2
12782	26-3/4	8	24	27	39	1-1/2
13251	31-5/8	4	30	32-1/2	39	1-3/4
13261	31-5/8	6	30	32-1/2	39	1-3/4
13281	31-5/8	8	30	32-1/2	39	1-3/4
13241	32	4	30-1/4	32 1/4	38	1-1/2
13271	32	6-1/2	30	32	43	1-1/2
13641	37-3/4	4	36	38	48	1-1/2
13661	37-3/4	6	36	38	48	1-1/2
13681	37-3/4	8	36	38	48	1-1/2

NOTES:

- Dimensions are approximate & in inches
- Gray Iron, Class 30B
- Conforms to ASTM A48 / A48M-03 specifications
 - * Please specify if required in Class 35B or Ductile Iron
- Markings: Plain, Communication, Drain, Electric, Sanitary Sewer, Sewer, Storm, Storm Drain, Storm Sewer, Telephone, Water
 - * Custom markings / logos available upon request





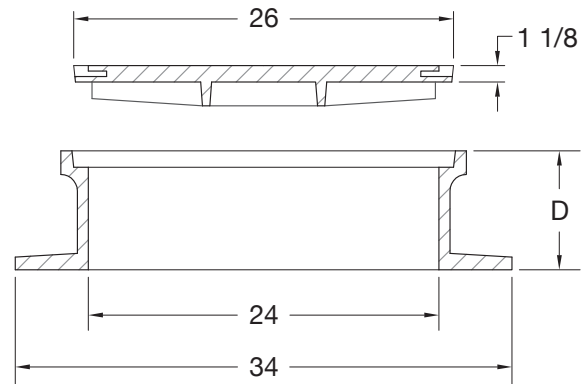
	COVER DIAMETER	FRAME HEIGHT	CLEAR OPENING	FLANGE ID	FLANGE OD	COVER THICKNESS
PRODUCT NO.	C	D	E	F	G	H
12441R	24	4	22-3/8	24-1/4	32	1-3/8
12641R	25-3/4	4	24	26	34	1-3/8
13241R	32	4	30-1/4	32	38	1-1/2
13641R	37-3/4	4	36	38	48	1-1/2

NOTES:

- Dimensions are approximate & in inches
- Gray Iron, Class 30B
- Conforms to ASTM A48 / A48M-03 specifications
 - * Please specify if required in Class 35B or Ductile Iron
- Markings: Plain, Communication, Drain, Electric, Sanitary Sewer, Sewer, Storm, Storm Drain, Storm Sewer, Telephone, Water
 - * Custom markings / logos available upon request



Heavy Duty, Built Up Type Frame, Solid Cover



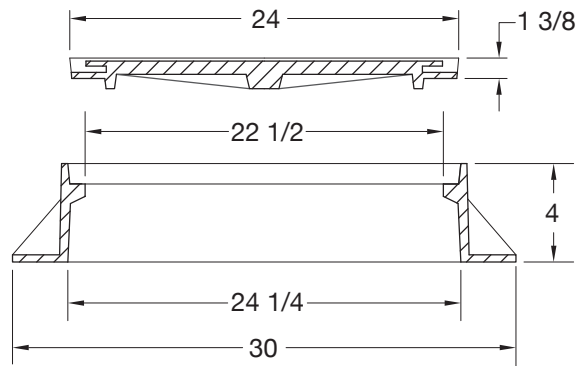
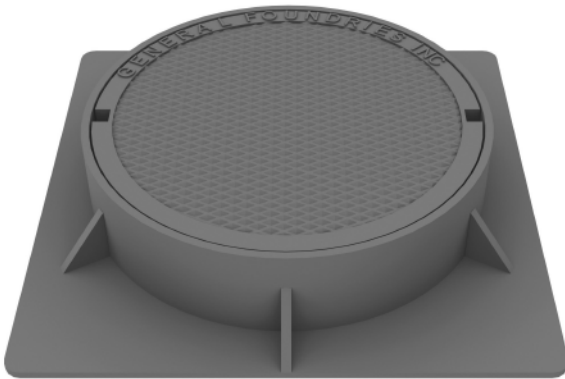
NOTES:

- Dimensions are approximate & in inches
- Gray Iron, Class 30B
- Conforms to ASTM A48 / A48M-03 specifications
 - * Please specify if required in Class 35B or Ductile Iron
- Markings: Plain, Drain, Electric, Sanitary Sewer, Sewer, Stream, Telephone, Water
 - * Custom markings / logos available upon request

FRAME
HEIGHT

PRODUCT NO.	D
12645	4
12665	6
12685	8-1/8

Heavy Duty, Built Up Type Frame, Solid Cover

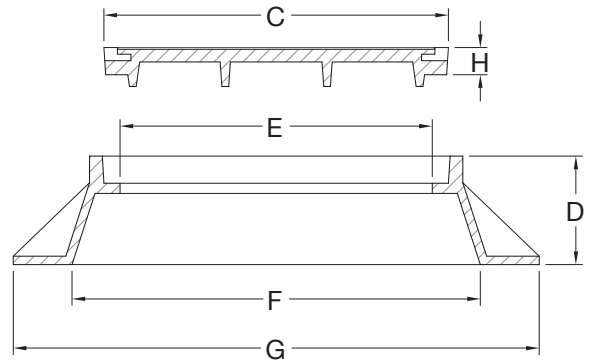
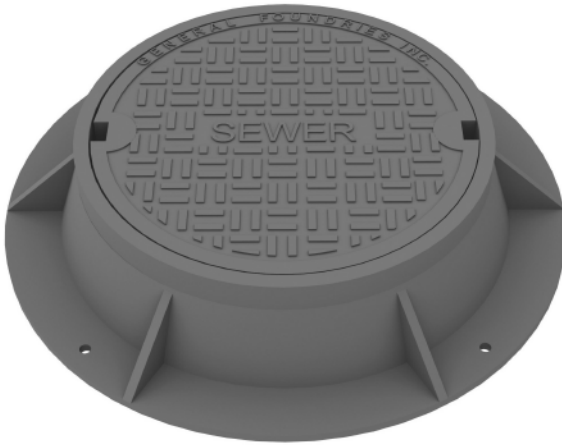


NOTES:

- Dimensions are approximate & in inches
- Gray Iron, Class 30B
- Conforms to ASTM A48 / A48M-03 specifications
 - * Please specify if required in Class 35B or Ductile Iron
- Markings: Plain, Drain, Electric, Sanitary Sewer, Sewer, Stream, Telephone, Water
 - * Custom markings / logos available upon request

PRODUCT NO.
12448





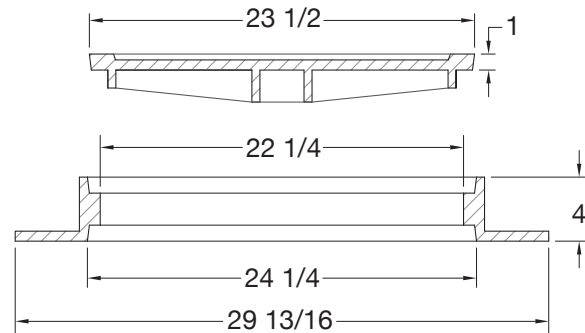
	COVER DIAMETER	FRAME HEIGHT	CLEAR OPENING	FLANGE ID	FLANGE OD	COVER HEIGHT
PRODUCT NO.	C	D	E	F	G	H
12583	25-3/8	8	23	31	39	2
12683	25-3/4	8	24	32	39	1-3/8

NOTES:

- Dimensions are approximate & in inches
- Gray Iron, Class 30B
- Conforms to ASTM A48 / A48M-03 specifications
 - * Please specify if required in Class 35B or Ductile Iron
- Markings: Plain, Sanitary Sewer, Sewer, Storm, Storm Drain, Storm Sewer
 - * Custom markings / logos available upon request



Heavy Duty, Built Up Type Frame, Solid Cover



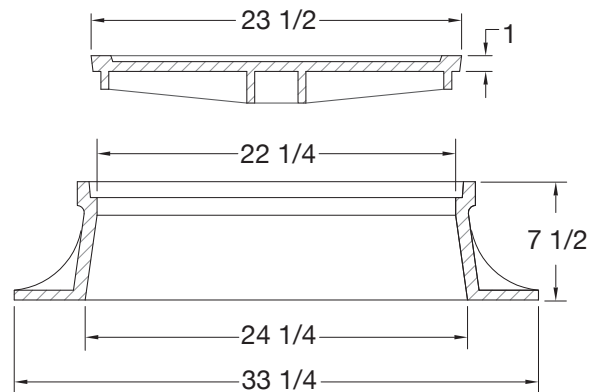
NOTES:

- Dimensions are approximate & in inches
- Gray Iron, Class 30B
- Conforms to ASTM A48 / A48M-03 specifications
 - * Please specify if required in Class 35B or Ductile Iron
- Markings: Sanitary Sewer, Storm Sewer, Water
 - * Custom markings / logos available upon request

PRODUCT NO.

12341

Heavy Duty, Built Up Type Frame, Solid Cover



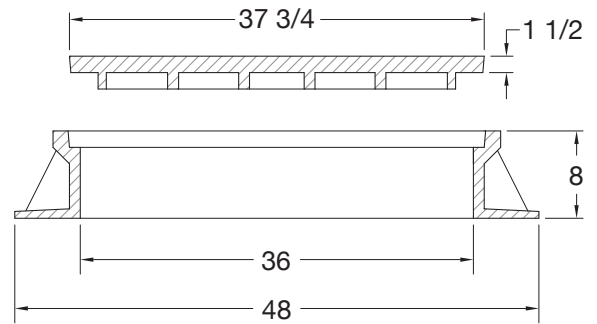
NOTES:

- Dimensions are approximate & in inches
- Gray Iron, Class 30B
- Conforms to ASTM A48 / A48M-03 specifications
 - * Please specify if required in Class 35B or Ductile Iron
- Markings: Sanitary Sewer, Storm Sewer, Water
 - * Custom markings / logos available upon request
- Cover also available with 1, 2, or 4 vent holes

PRODUCT NO.

12371

Heavy Duty, Built Up Type Frame, Solid Cover

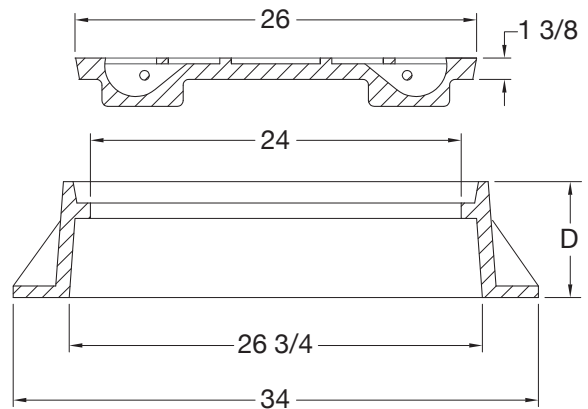


NOTES:

- Dimensions are approximate & in inches
- Gray Iron, Class 30B
- Conforms to ASTM A48 / A48M-03 specifications
 - * Please specify if required in Class 35B or Ductile Iron
- Markings: Plain, Communication, Drain, Electric, Sewer, Telephone
 - * Custom markings / logos available upon request

PRODUCT NO.
13687

Heavy Duty, Built Up Type Frame, Solid Cover



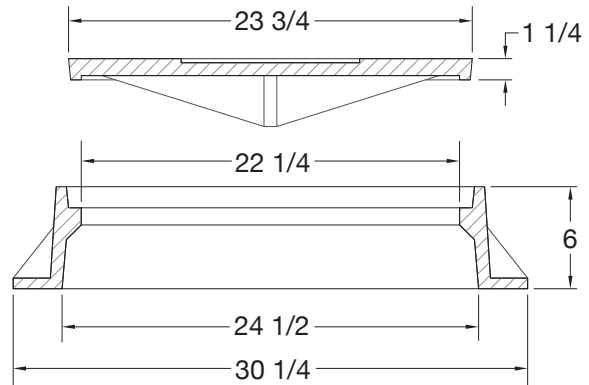
NOTES:

- Dimensions are approximate & in inches
- Gray Iron, Class 30B
- Conforms to ASTM A48 / A48M-03 specifications
 - * Please specify if required in Class 35B or Ductile Iron
- Markings: Sanitary Sewer
 - * Custom markings / logos available upon request
- Cover also available with 4 vent holes

PRODUCT NO.	FRAME HEIGHT D
12643	4
12673	7-1/2



Heavy Duty, Built Up Type Frame, Solid Cover



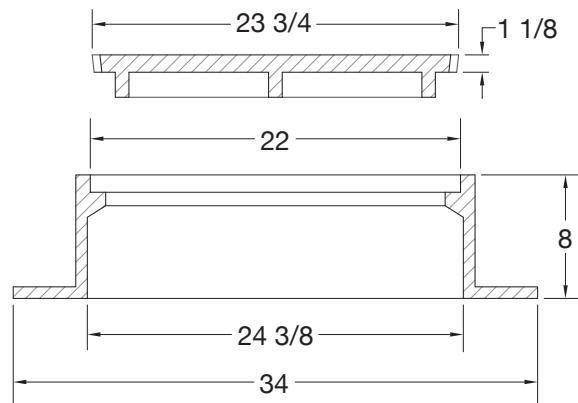
NOTES:

- Dimensions are approximate & in inches
- Gray Iron, Class 30B
- Conforms to ASTM A48 / A48M-03 specifications
 - * Please specify if required in Class 35B or Ductile Iron
- Markings: Grease, Sanitary Sewer, Sewer, Storm, Water.
 - * Custom markings / logos available upon request

PRODUCT NO.

12361

Heavy Duty, Built Up Type Frame, Solid Cover



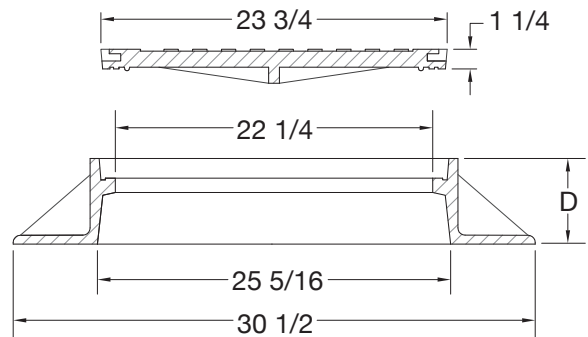
NOTES:

- Dimensions are approximate & in inches
- Gray Iron, Class 30B
- Conforms to ASTM A48 / A48M-03 specifications
 - * Please specify if required in Class 35B or Ductile Iron
- Markings: Sewer
 - * Custom markings / logos available upon request

PRODUCT NO.

12381

Heavy Duty, Built Up Type Frame, Solid Cover



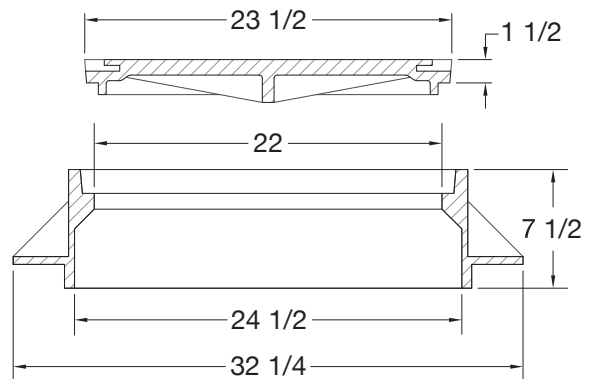
NOTES:

- Dimensions are approximate & in inches
- Gray Iron, Class 30B
- Conforms to ASTM A48 / A48M-03 specifications
 - * Please specify if required in Class 35B or Ductile Iron
- Markings: Sanitary Sewer, Storm, Water
 - * Custom markings / logos available upon request

FRAME
HEIGHT

PRODUCT NO.	D
12421	2-1/2
12369	6

Heavy Duty, Built Up Type Frame, Solid Cover

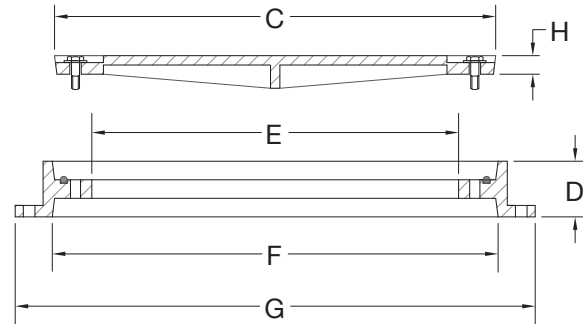
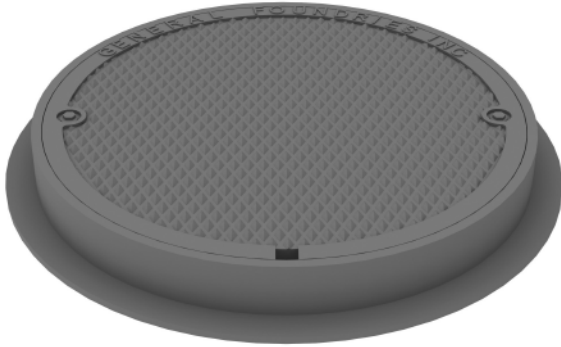


NOTES:

- Dimensions are approximate & in inches
- Gray Iron, Class 30B
- Conforms to ASTM A48 / A48M-03 specifications
 - * Please specify if required in Class 35B or Ductile Iron
- Markings: Sanitary Sewer, Sewer
 - * Custom markings / logos available upon request

PRODUCT NO.
12373



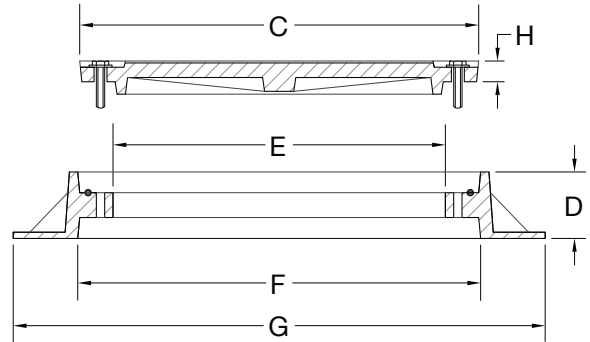
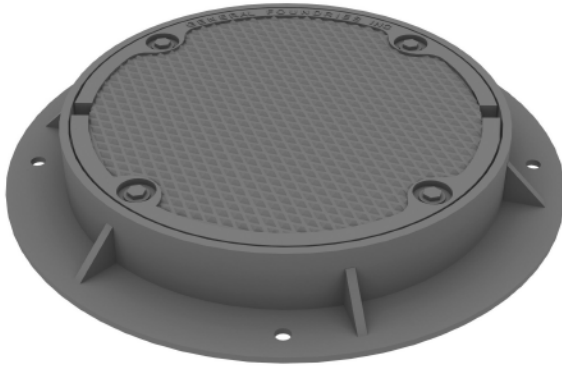


	COVER DIAMETER	FRAME HEIGHT	CLEAR OPENING	FLANGE ID	FLANGE OD	COVER THICKNESS
PRODUCT NO.	C	D	E	F	G	H
11839	18	3	16-1/2	18-1/4	22-1/2	1
12439	23-3/4	3	22	24	28	1
13039	29-3/4	3	27-3/4	30	36	1

NOTES:

- Dimensions are approximate & in inches
- Gray Iron, Class 30B
- Conforms to ASTM A48 / A48M-03 specifications
 - * Please specify if required in Class 35B or Ductile Iron
- Markings: Plain, Drain, Septic, Sewer
 - * Custom markings / logos available upon request





PRODUCT NO.	COVER DIAMETER C	FRAME HEIGHT D	CLEAR OPENING E	FLANGE ID F	FLANGE OD G	COVER THICKNESS H
12446	24	4	22-3/8	24-1/4	32	1-3/8
12466	24	6	22-3/8	24	34	1-3/8
12476	24	7	22-1/2	24-7/16	34	1-3/8
12486	24	8	22-3/8	24-5/8	34	1-3/8
12686	25-3/4	8	24	27	34-1/2	1-3/8
12649	26	4	21	26-1/2	34-1/4	1-1/8
12669	26	6	21-1/2	26-1/2	34-1/4	1-1/8
12689	26	8-1/8	21-1/2	26-1/2	34-1/4	1-1/8
13256	31-5/8	4	30	32-1/2	39	1-3/4
13266	31-5/8	6	30	32-1/2	39	1-3/4
13286	31-5/8	8	30	32-1/2	39	1-3/4
13246	32	4	30-1/4	32-1/4	38	1-1/2
13276	32	6-1/2	30	32	43	1-1/2
13646	37-3/4	4	33-1/2	38	48	1-1/2
13666	37-3/4	6	33-1/2	38	48	1-1/2
13686	37-3/4	8	33-1/2	38	48	1-1/2

NOTES:

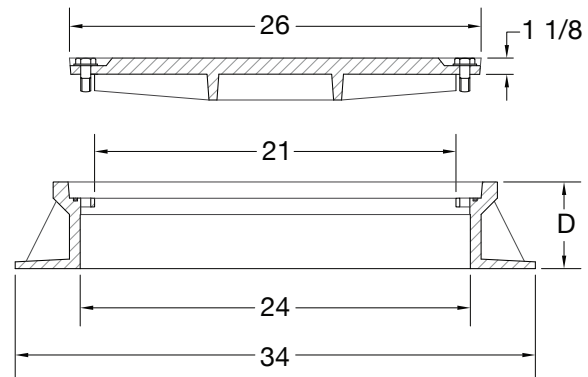
- Dimensions are approximate & in inches
- Gray Iron, Class 30B
- Conforms to ASTM A48 / A48M-03 specifications
 - * Please specify if required in Class 35B or Ductile Iron
- Markings: Plain, Drain, Septic, Sewer
 - * Custom markings / logos available upon request



Manhole Frames and Covers (Watertight)

Heavy Duty, Built Up Type Frame, Solid Cover

GENERAL
FOUNDRIES



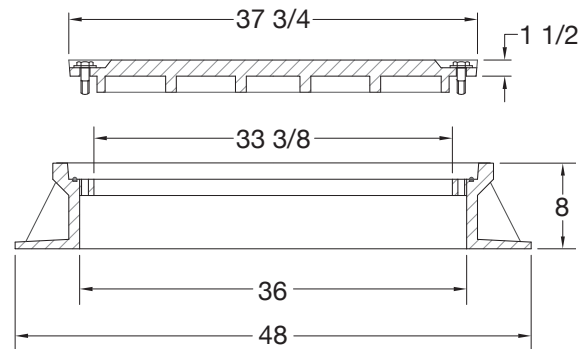
NOTES:

- Dimensions are approximate & in inches
- Gray Iron, Class 30B
- Conforms to ASTM A48 / A48M-03 specifications
 - * Please specify if required in Class 35B or Ductile Iron
- Markings: Plain, Drain, Electric, Sanitary Sewer, Sewer, Stream, Telephone, Water
 - * Custom markings / logos available upon request

FRAME
HEIGHT

PRODUCT NO.	D
12649	4
12669	6
12689	8-1/8

Heavy Duty, Built Up Type Frame, Solid Cover



NOTES:

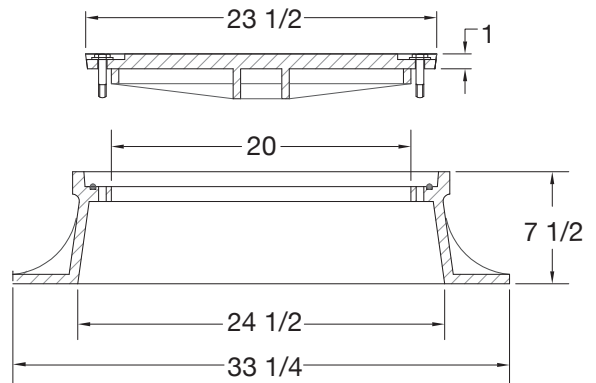
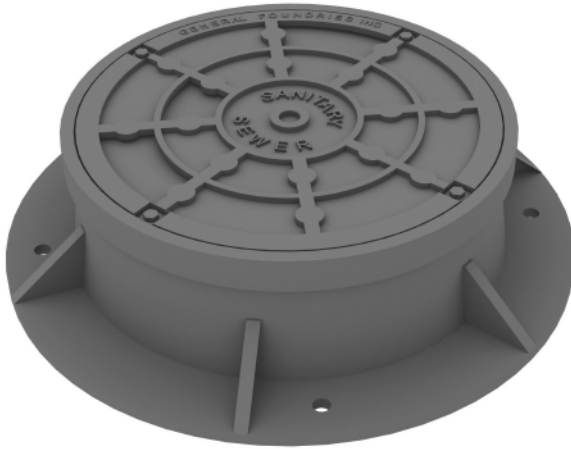
- Dimensions are approximate & in inches
- Gray Iron, Class 30B
- Conforms to ASTM A48 / A48M-03 specifications
 - * Please specify if required in Class 35B or Ductile Iron
- Markings: Plain, Drain, Electric, Sanitary Sewer, Sewer, Stream, Telephone, Water
 - * Custom markings / logos available upon request

PRODUCT NO.

13689



Heavy Duty, Built Up Type Frame, Solid Cover



NOTES:

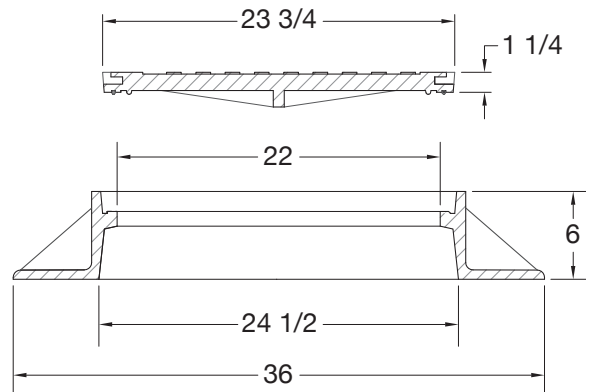
- Dimensions are approximate & in inches
- Gray Iron, Class 30B
- Conforms to ASTM A48 / A48M-03 specifications
 - * Please specify if required in Class 35B or Ductile Iron
- Markings: Sanitary Sewer
 - * Custom markings / logos available upon request

PRODUCT NO.

12376

Gasketed

Heavy Duty, Built Up Type Frame, Solid Cover



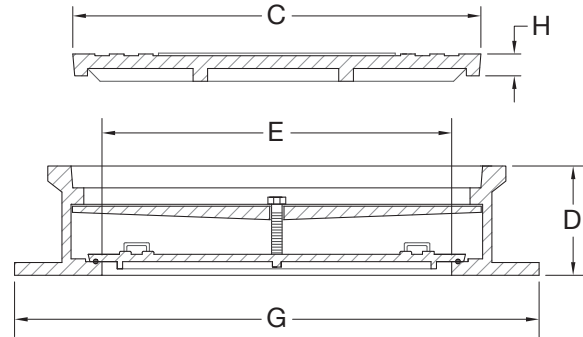
NOTES:

- Dimensions are approximate & in inches
- Gray Iron, Class 30B
- Conforms to ASTM A48 / A48M-03 specifications
 - * Please specify if required in Class 35B or Ductile Iron
- Markings: Grease, Sanitary Sewer
 - * Custom markings / logos available upon request

PRODUCT NO.

12369





	COVER DIAMETER	FRAME HEIGHT	CLEAR OPENING	FLANGE OD	COVER THICKNESS
PRODUCT NO.	C	D	E	G	H
12688	26	8	22	34	1-1/2
12888	28	8	24	38	1-3/8
13288	32	8	30	41	1-3/8

NOTES:

- Dimensions are approximate & in inches
- Gray Iron, Class 30B
- Conforms to ASTM A48 / A48M-03 specifications
 - * Please specify if required in Class 35B or Ductile Iron
- Markings: Communication, Electric, Sewer, Telephone
 - * Custom markings / logos available upon request