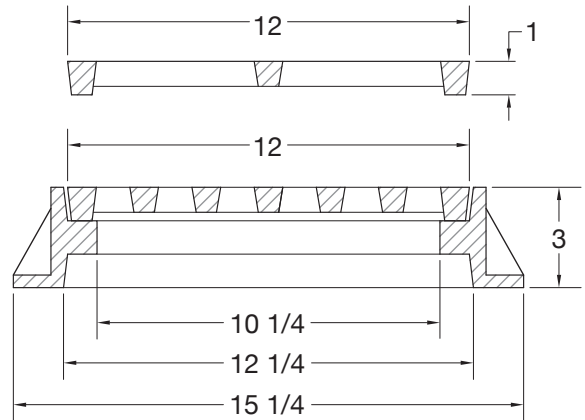


## Light Duty, Reversible Type Frame, Bike Safe Grate



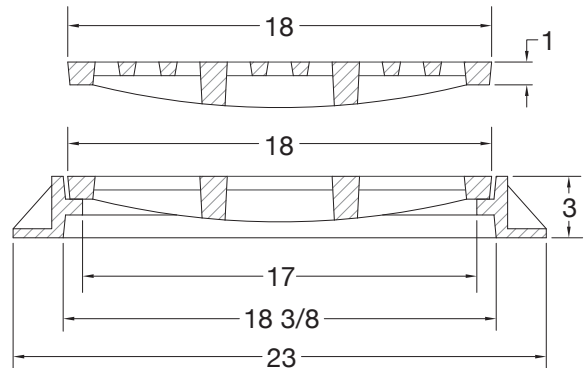
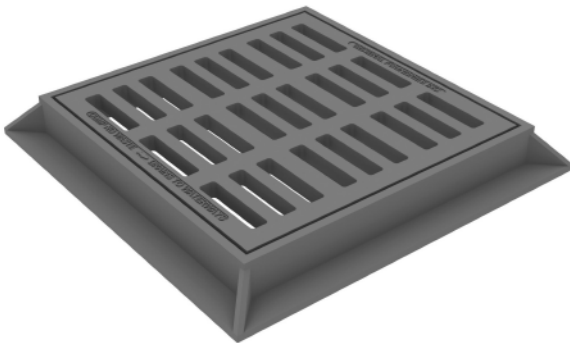
**NOTES:**

- Dimensions are approximate & in inches
- Gray Iron, Class 30B
- Conforms to ASTM A48 / A48M-03 specifications
- \* Please specify if required in Class 35B or Ductile Iron

**PRODUCT NO.**

**21232**

## Heavy Duty, Reversible Type Frame, Slotted Grate



**NOTES:**

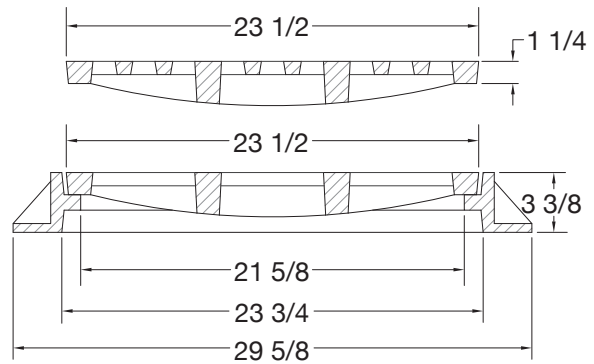
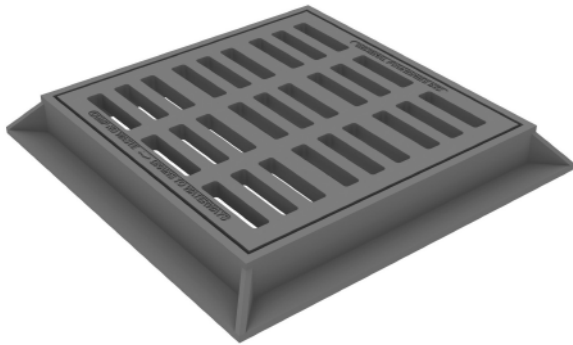
- Dimensions are approximate & in inches
- Gray Iron, Class 30B
- Conforms to ASTM A48 / A48M-03 specifications
- \* Please specify if required in Class 35B or Ductile Iron

**PRODUCT NO.**

**21833**



Heavy Duty, Reversible Type Frame, Slotted Grate



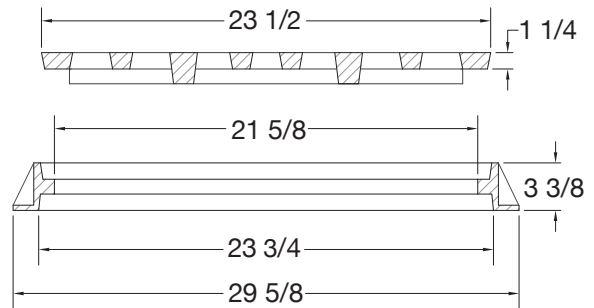
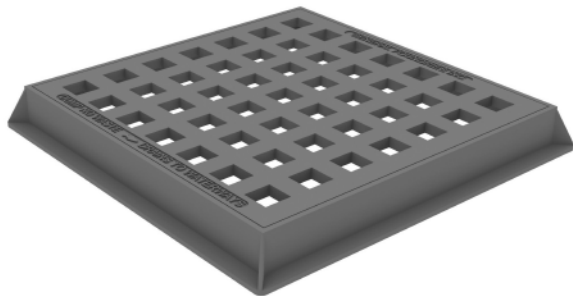
NOTES:

- Dimensions are approximate & in inches
- Gray Iron, Class 30B
- Conforms to ASTM A48 / A48M-03 specifications
- \* Please specify if required in Class 35B or Ductile Iron

PRODUCT NO.

22433

Heavy Duty, Reversible Type Frame, Square Hole Grate



NOTES:

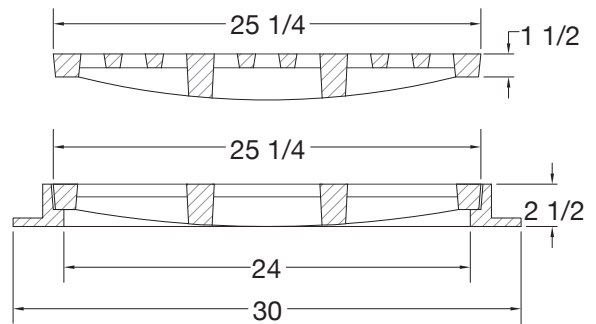
- Dimensions are approximate & in inches
- Gray Iron, Class 30B
- Conforms to ASTM A48 / A48M-03 specifications
- \* Please specify if required in Class 35B or Ductile Iron

PRODUCT NO.

22434



Heavy Duty, Built Up Type Frame, Slotted Grate

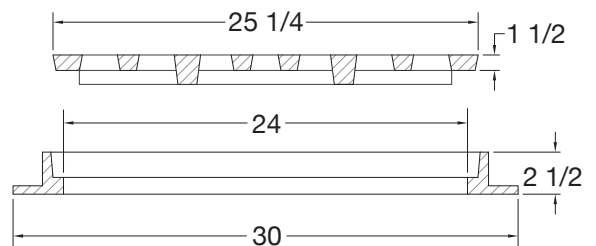
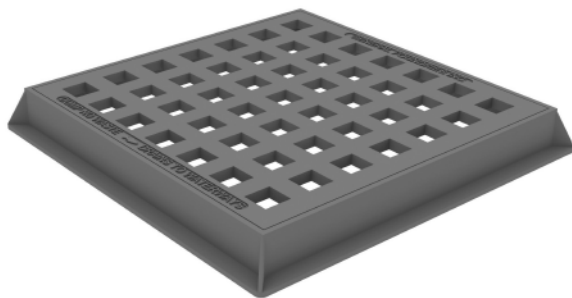


**NOTES:**

- Dimensions are approximate & in inches
- Gray Iron, Class 30B
- Conforms to ASTM A48 / A48M-03 specifications
- \* Please specify if required in Class 35B or Ductile Iron

<b>PRODUCT NO.</b>
<b>22533</b>

Heavy Duty, Built Up Type Frame, Square Hole Grate



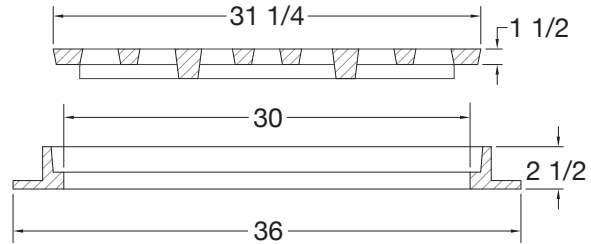
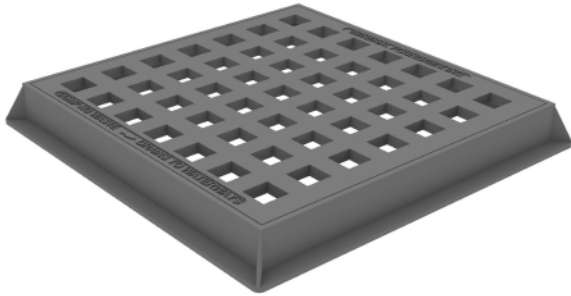
**NOTES:**

- Dimensions are approximate & in inches
- Gray Iron, Class 30B
- Conforms to ASTM A48 / A48M-03 specifications
- \* Please specify if required in Class 35B or Ductile Iron

<b>PRODUCT NO.</b>
<b>22534</b>



Heavy Duty, Built Up Type Frame, Square Hole Grate

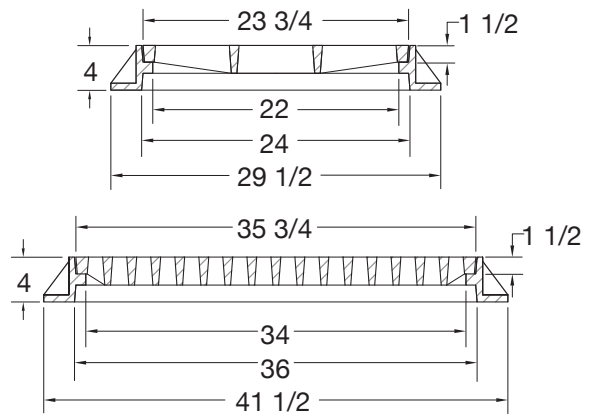
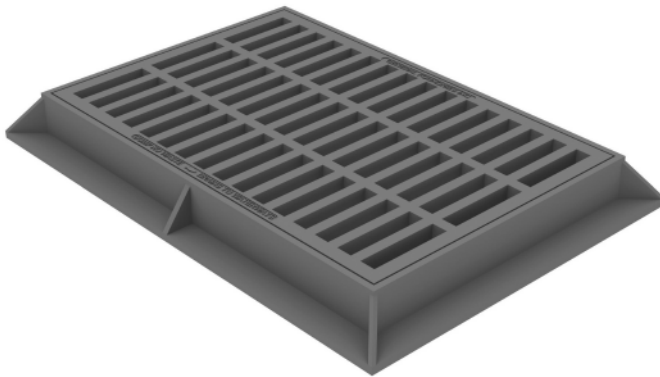


NOTES:

- Dimensions are approximate & in inches
- Gray Iron, Class 30B
- Conforms to ASTM A48 / A48M-03 specifications
- \* Please specify if required in Class 35B or Ductile Iron

<b>PRODUCT NO.</b>
<b>23134</b>

Heavy Duty, Reversible Type Frame, Slotted Grate

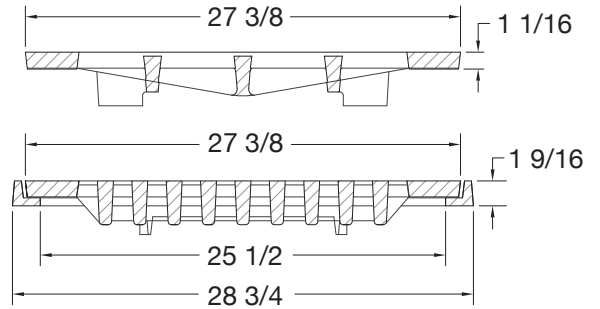
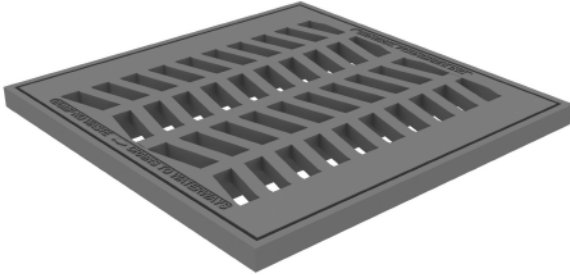


NOTES:

- Dimensions are approximate & in inches
- Gray Iron, Class 30B
- Conforms to ASTM A48 / A48M-03 specifications
- \* Please specify if required in Class 35B or Ductile Iron

<b>PRODUCT NO.</b>
<b>24363</b>

## Heavy Duty, Angle Type Frame, Sinusoidal Grate



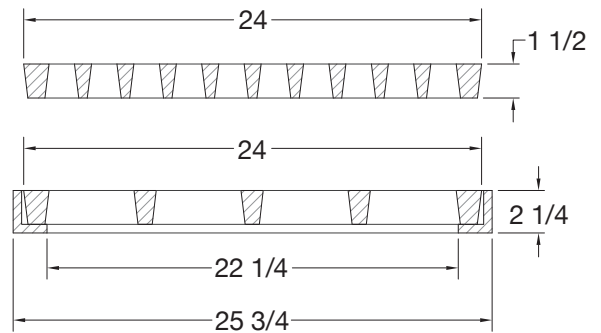
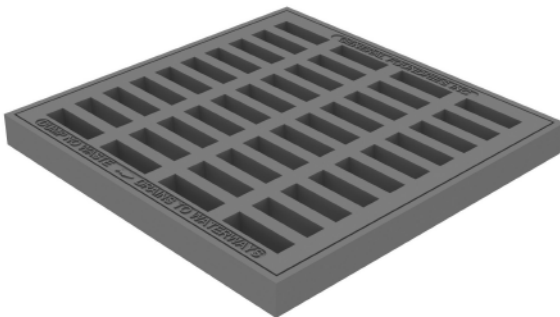
**NOTES:**

- Dimensions are approximate & in inches
- Gray Iron, Class 30B
- Conforms to ASTM A48 / A48M-03 specifications
- \* Please specify if required in Class 35B or Ductile Iron

**PRODUCT NO.**

**22716**

## Heavy Duty, Angle Type Frame, Slotted Grate



**NOTES:**

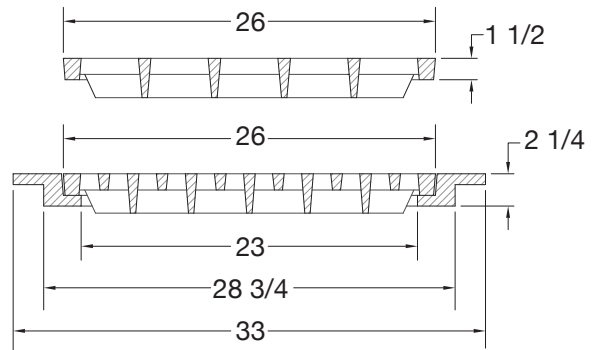
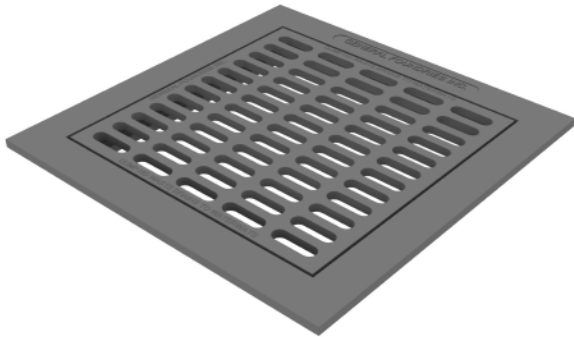
- Dimensions are approximate & in inches
- Gray Iron, Class 30B
- Conforms to ASTM A48 / A48M-03 specifications
- \* Please specify if required in Class 35B or Ductile Iron

**PRODUCT NO.**

**22402**



Heavy Duty, Slab Type Frame, Bike Safe Grate



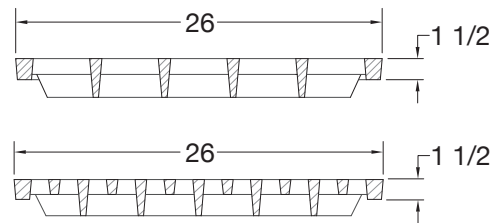
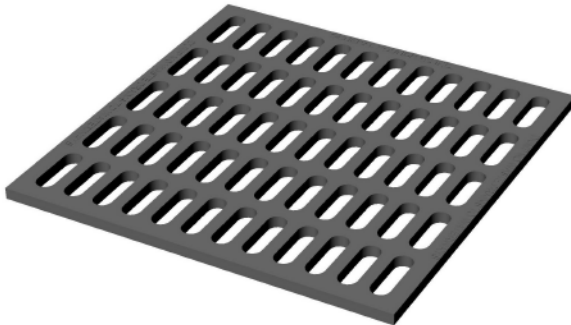
NOTES:

- Dimensions are approximate & in inches
- Gray Iron, Class 30B
- Conforms to ASTM A48 / A48M-03 specifications
- \* Please specify if required in Class 35B or Ductile Iron

PRODUCT NO.

22632

Heavy Duty, Bike Safe Grate



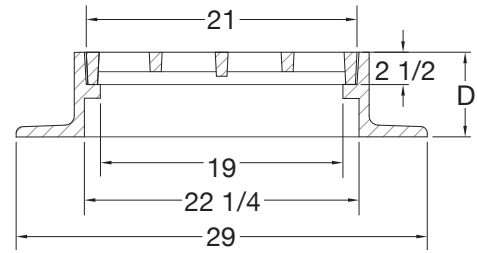
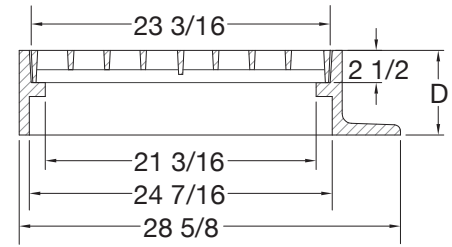
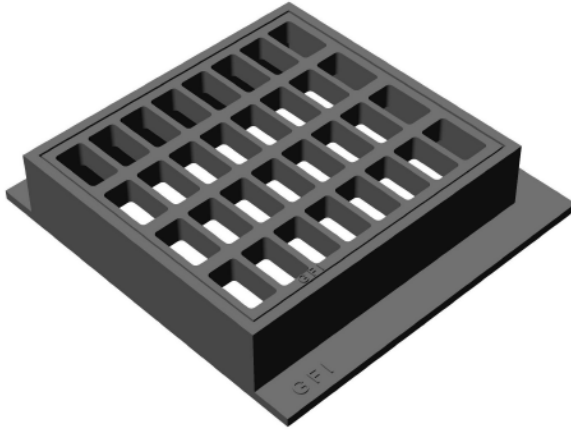
NOTES:

- Dimensions are approximate & in inches
- Gray Iron, Class 30B
- Conforms to ASTM A48 / A48M-03 specifications
- \* Please specify if required in Class 35B or Ductile Iron

PRODUCT NO.

22600

## Heavy Duty, Built Up Type Frame, Rectangle Hole Grate



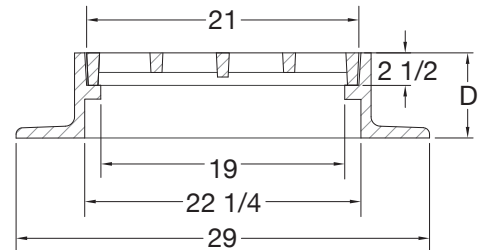
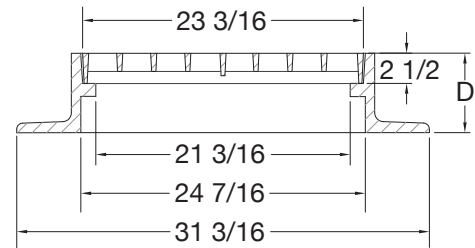
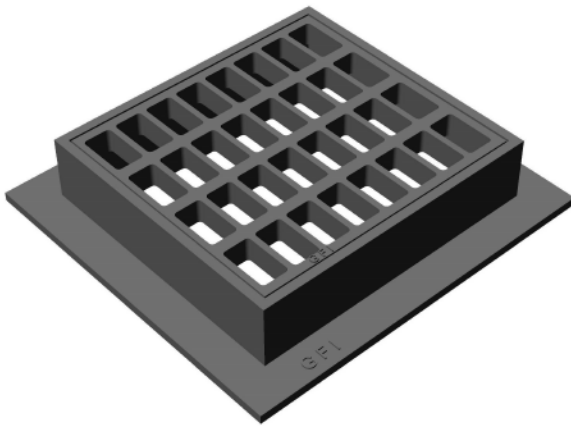
FRAME  
HEIGHT

**NOTES:**

- Dimensions are approximate & in inches
- Gray Iron, Class 30B
- Conforms to ASTM A48 / A48M-03 specifications
- \* Please specify if required in Class 35B or Ductile Iron

PRODUCT NO.	D	FRAME
22143	4	3 Flange
22163	6	3 Flange
22183	8	3 Flange

## Heavy Duty, Built Up Type Frame, Rectangle Hole Grate



FRAME  
HEIGHT

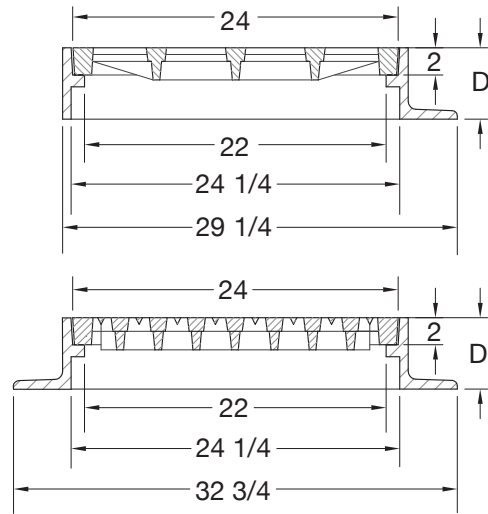
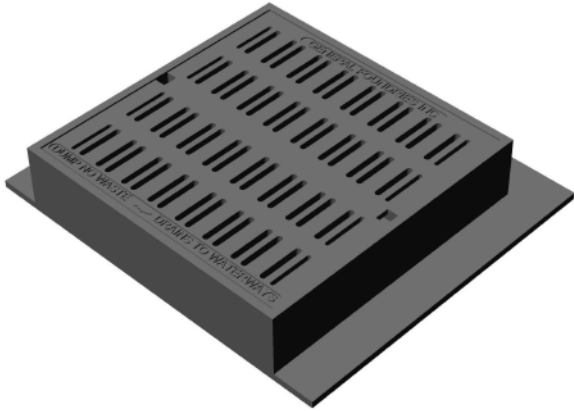
**NOTES:**

- Dimensions are approximate & in inches
- Gray Iron, Class 30B
- Conforms to ASTM A48 / A48M-03 specifications
- \* Please specify if required in Class 35B or Ductile Iron

PRODUCT NO.	D	FRAME
22144	4	4 Flange
22164	6	4 Flange
22184	8	4 Flange



Heavy Duty, Built Up Type Frame, ADA Compliant Grate



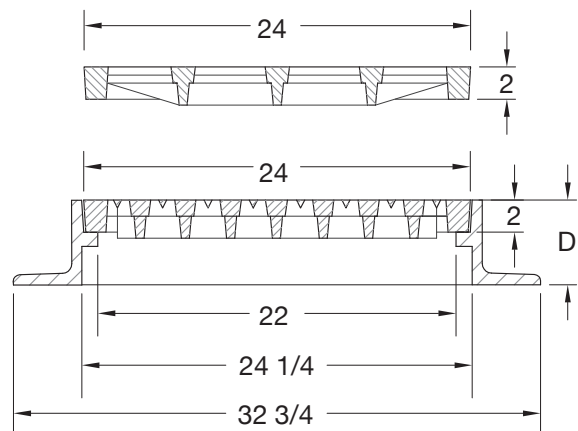
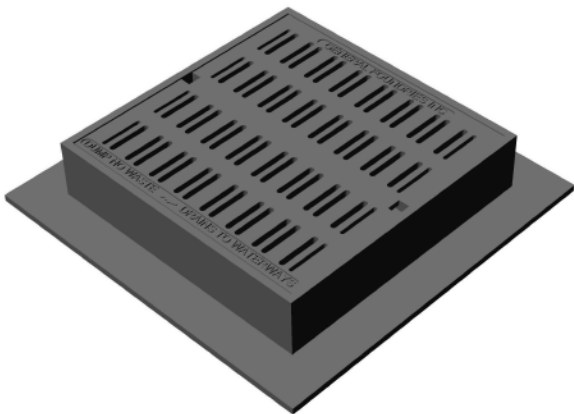
NOTES:

- Dimensions are approximate & in inches
- Gray Iron, Class 30B
- Conforms to ASTM A48 / A48M-03 specifications
- \* Please specify if required in Class 35B or Ductile Iron

FRAME  
HEIGHT

PRODUCT NO.	D	FRAME
22443ADA	4	3 Flange
22463ADA	6	3 Flange
22483ADA	8	3 Flange

Heavy Duty, Built Up Type Frame, ADA Compliant Grate



NOTES:

- Dimensions are approximate & in inches
- Gray Iron, Class 30B
- Conforms to ASTM A48 / A48M-03 specifications
- \* Please specify if required in Class 35B or Ductile Iron

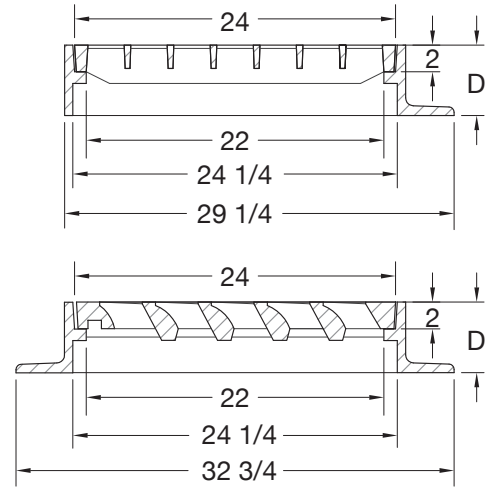
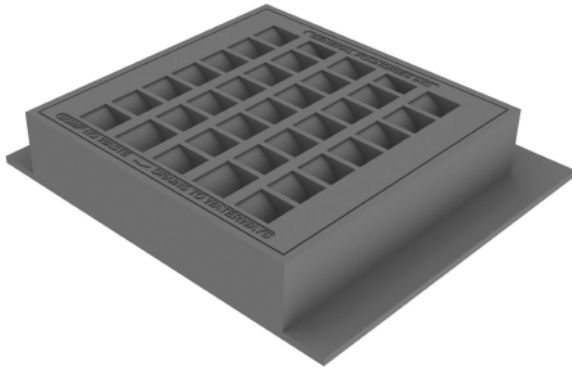
FRAME  
HEIGHT

PRODUCT NO.	D	FRAME
22444ADA	4	4 Flange
22464ADA	6	4 Flange
22484ADA	8	4 Flange





## Heavy Duty, Built Up Type Frame, Cascade Grate



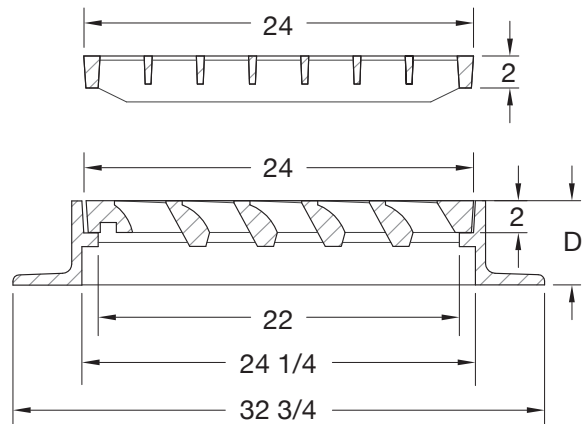
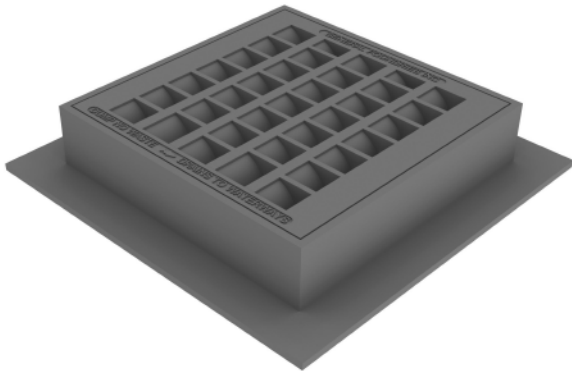
FRAME  
HEIGHT

PRODUCT NO.	D	FRAME
22443CAS	4	3 Flange
22463CAS	6	3 Flange
22483CAS	8	3 Flange

**NOTES:**

- Dimensions are approximate & in inches
- Gray Iron, Class 30B
- Conforms to ASTM A48 / A48M-03 specifications
- \* Please specify if required in Class 35B or Ductile Iron

## Heavy Duty, Built Up Type Frame, Cascade Grate



FRAME  
HEIGHT

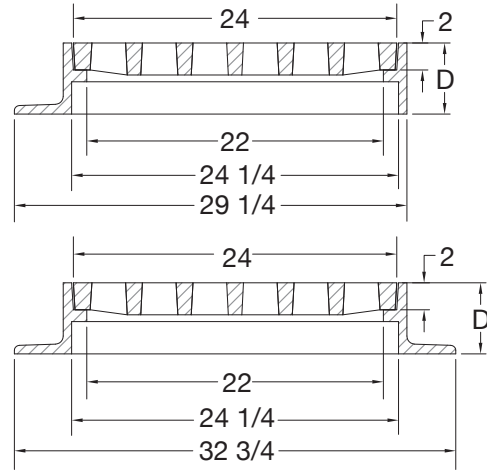
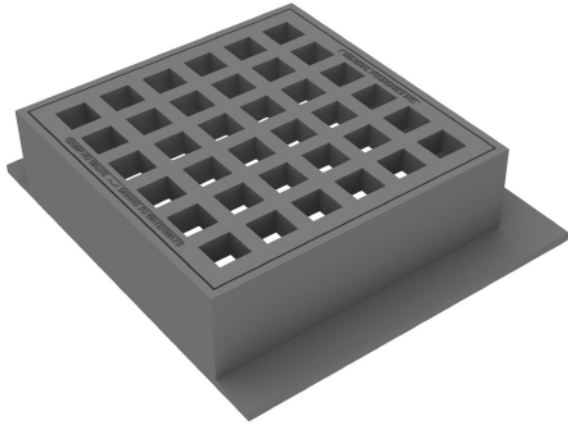
PRODUCT NO.	D	FRAME
22444CAS	4	4 Flange
22464CAS	6	4 Flange
22484CAS	8	4 Flange

**NOTES:**

- Dimensions are approximate & in inches
- Gray Iron, Class 30B
- Conforms to ASTM A48 / A48M-03 specifications
- \* Please specify if required in Class 35B or Ductile Iron



Heavy Duty, Built Up Type Frame, Square Hole Grate



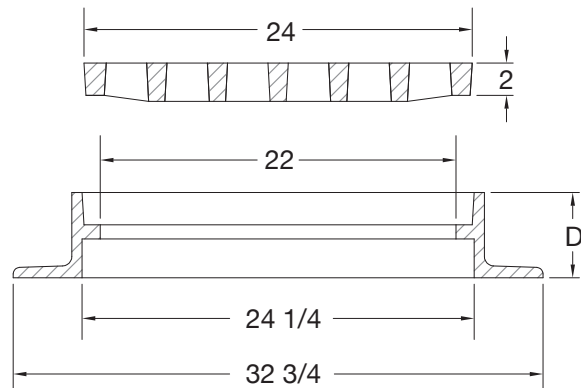
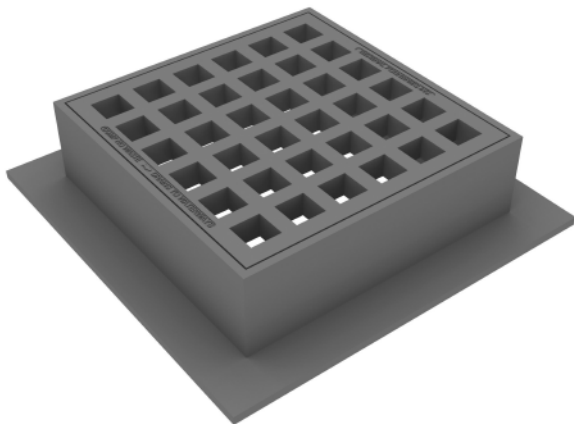
NOTES:

- Dimensions are approximate & in inches
- Gray Iron, Class 30B
- Conforms to ASTM A48 / A48M-03 specifications
- \* Please specify if required in Class 35B or Ductile Iron

FRAME  
HEIGHT

PRODUCT NO.	D	FRAME
22443SQH	4	3 Flange
22463SQH	6	3 Flange
22483SQH	8	3 Flange

Heavy Duty, Built Up Type Frame, Square Hole Grate



NOTES:

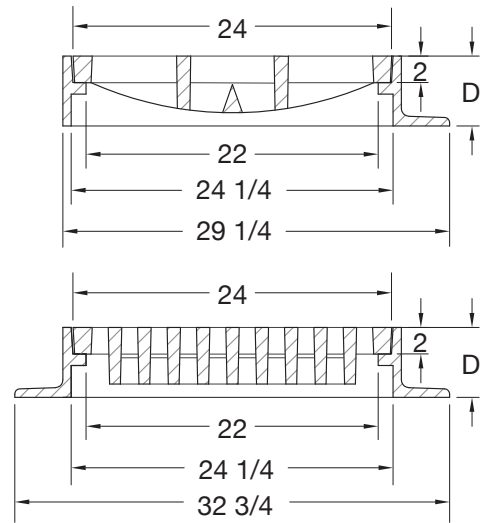
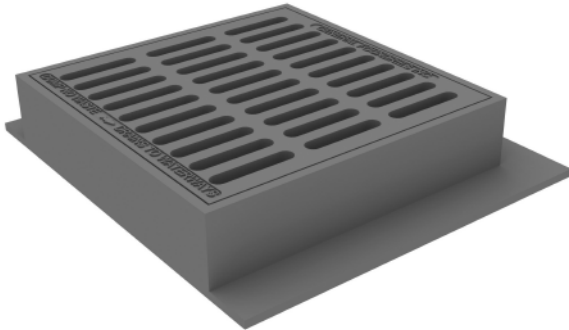
- Dimensions are approximate & in inches
- Gray Iron, Class 30B
- Conforms to ASTM A48 / A48M-03 specifications
- \* Please specify if required in Class 35B or Ductile Iron

FRAME  
HEIGHT

PRODUCT NO.	D	FRAME
22444SQH	4	4 Flange
22464SQH	6	4 Flange
22484SQH	8	4 Flange



## Heavy Duty, Built Up Type Frame, Bike Safe Grate



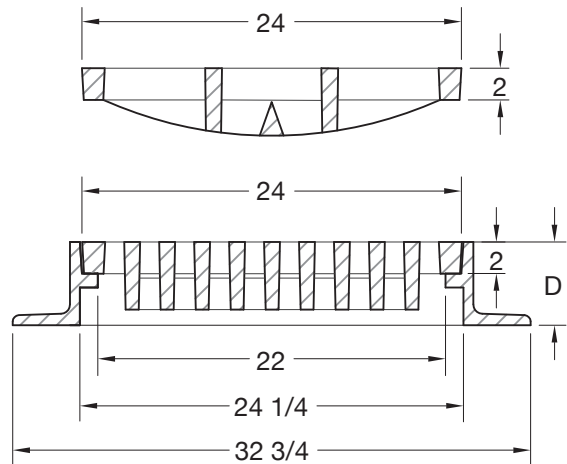
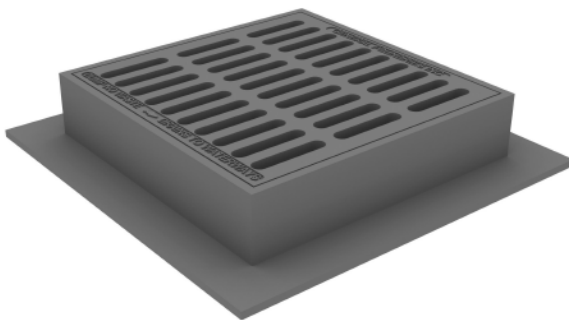
FRAME  
HEIGHT

PRODUCT NO.	D	FRAME
22443BS	4	3 Flange
22463BS	6	3 Flange
22483BS	8	3 Flange

**NOTES:**

- Dimensions are approximate & in inches
- Gray Iron, Class 30B
- Conforms to ASTM A48 / A48M-03 specifications
- \* Please specify if required in Class 35B or Ductile Iron

## Heavy Duty, Built Up Type Frame, Bike Safe Grate



FRAME  
HEIGHT

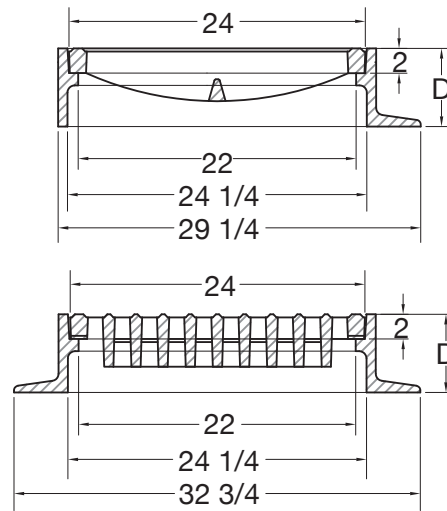
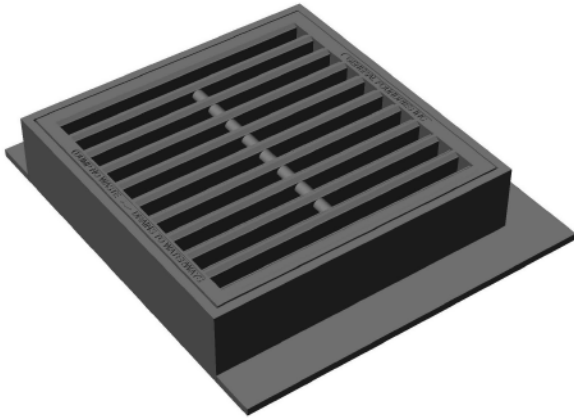
PRODUCT NO.	D	FRAME
22444BS	4	4 Flange
22464BS	6	4 Flange
22484BS	8	4 Flange

**NOTES:**

- Dimensions are approximate & in inches
- Gray Iron, Class 30B
- Conforms to ASTM A48 / A48M-03 specifications
- \* Please specify if required in Class 35B or Ductile Iron



Heavy Duty, Built Up Type Frame, Bar Grate



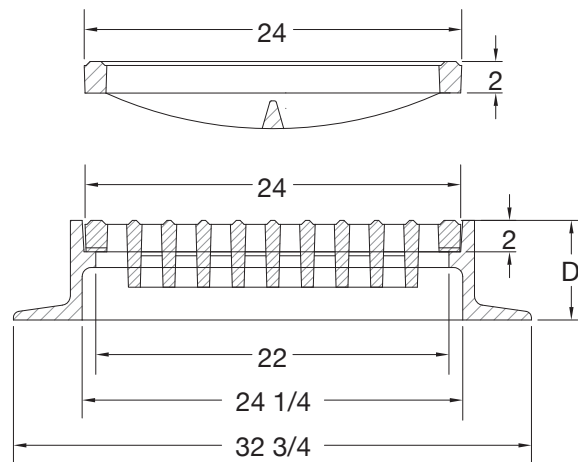
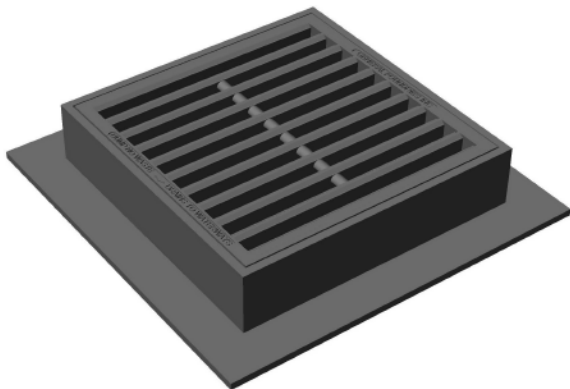
NOTES:

- Dimensions are approximate & in inches
- Gray Iron, Class 30B
- Conforms to ASTM A48 / A48M-03 specifications
- \* Please specify if required in Class 35B or Ductile Iron

FRAME  
HEIGHT

PRODUCT NO.	D	FRAME
22443BAR	4	3 Flange
22463BAR	6	3 Flange
22483BAR	8	3 Flange

Heavy Duty, Built Up Type Frame, Bar Grate



NOTES:

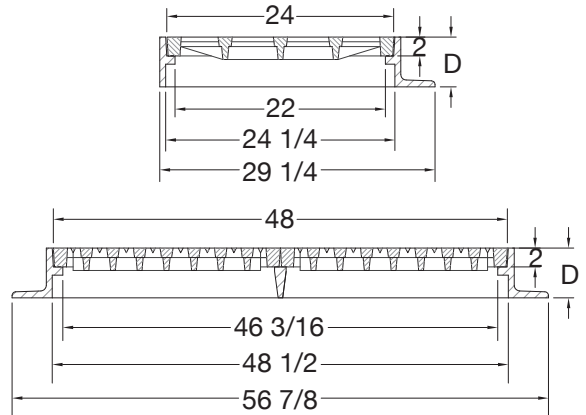
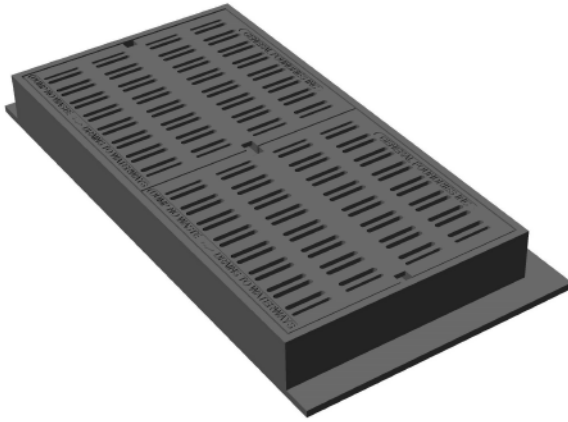
- Dimensions are approximate & in inches
- Gray Iron, Class 30B
- Conforms to ASTM A48 / A48M-03 specifications
- \* Please specify if required in Class 35B or Ductile Iron

FRAME  
HEIGHT

PRODUCT NO.	D	FRAME
22444BAR	4	4 Flange
22464BAR	6	4 Flange
22484BAR	8	4 Flange



## Heavy Duty, Built Up Type Frame, ADA Compliant Grate



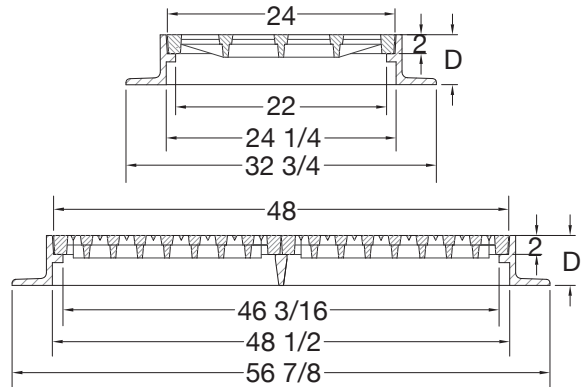
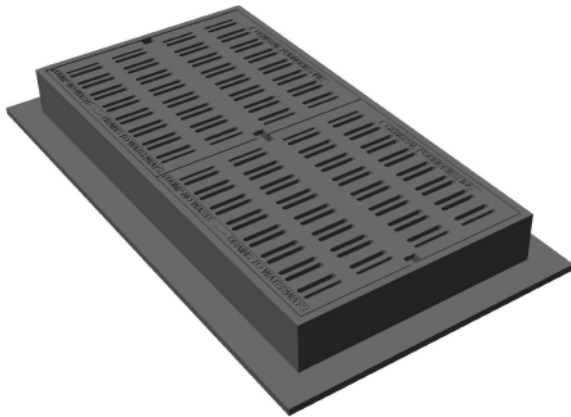
**NOTES:**

- Dimensions are approximate & in inches
- Gray Iron, Class 30B
- Conforms to ASTM A48 / A48M-03 specifications
- \* Please specify if required in Class 35B or Ductile Iron

FRAME  
HEIGHT

PRODUCT NO.	D	FRAME
24843ADA	4	3 Flange
24863ADA	6	3 Flange
24883ADA	8	3 Flange

## Heavy Duty, Built Up Type Frame, ADA Compliant Grate



**NOTES:**

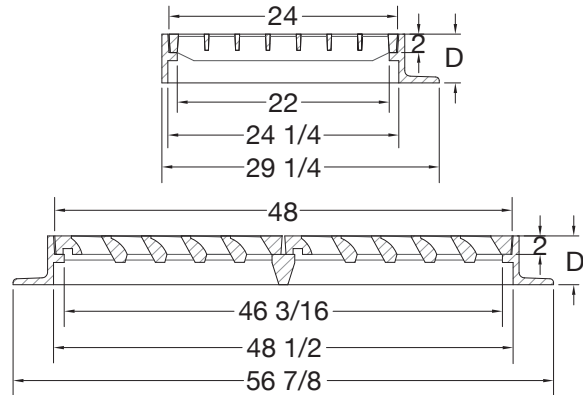
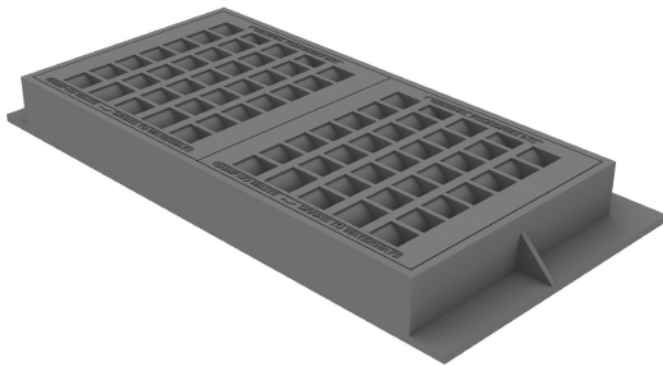
- Dimensions are approximate & in inches
- Gray Iron, Class 30B
- Conforms to ASTM A48 / A48M-03 specifications
- \* Please specify if required in Class 35B or Ductile Iron

FRAME  
HEIGHT

PRODUCT NO.	D	FRAME
24844ADA	4	4 Flange
24864ADA	6	4 Flange
24884ADA	8	4 Flange



Heavy Duty, Built Up Type Frame, Cascade Grate



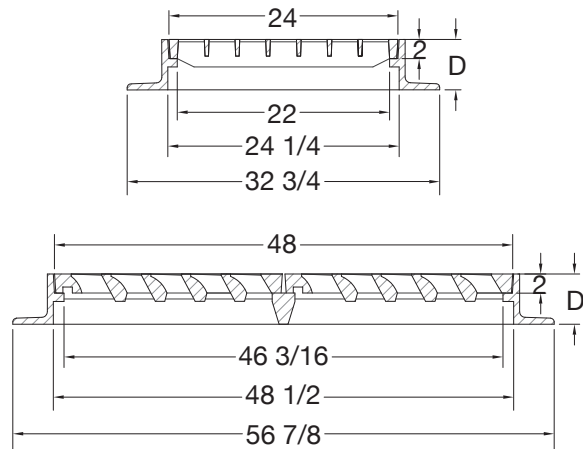
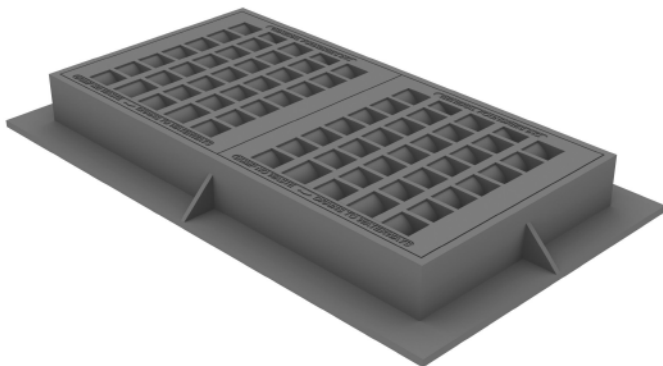
NOTES:

- Dimensions are approximate & in inches
- Gray Iron, Class 30B
- Conforms to ASTM A48 / A48M-03 specifications
- \* Please specify if required in Class 35B or Ductile Iron

FRAME  
HEIGHT

PRODUCT NO.	D	FRAME
24843CAS	4	3 Flange
24863CAS	6	3 Flange
24883CAS	8	3 Flange

Heavy Duty, Built Up Type Frame, Cascade Grate



NOTES:

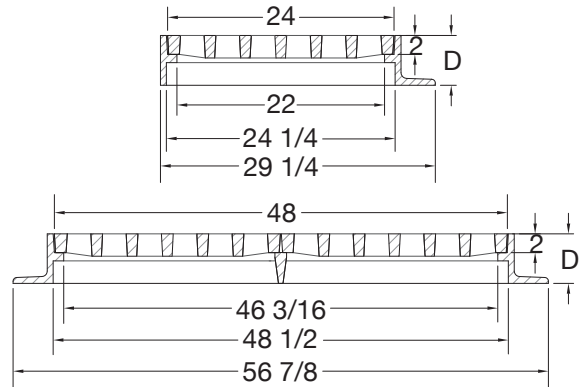
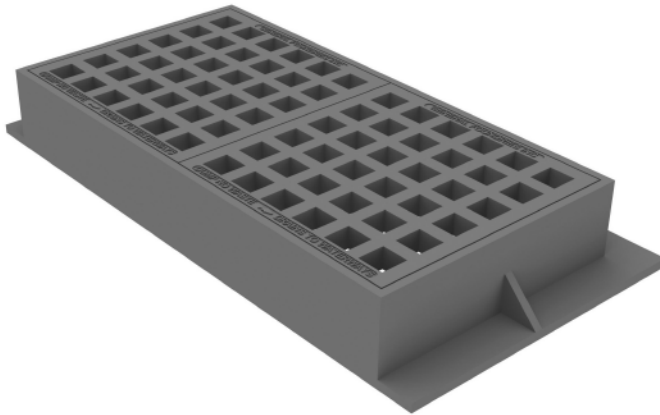
- Dimensions are approximate & in inches
- Gray Iron, Class 30B
- Conforms to ASTM A48 / A48M-03 specifications
- \* Please specify if required in Class 35B or Ductile Iron

FRAME  
HEIGHT

PRODUCT NO.	D	FRAME
24844CAS	4	4 Flange
24864CAS	6	4 Flange
24884CAS	8	4 Flange



## Heavy Duty, Built Up Type Frame, Square Hole Grate



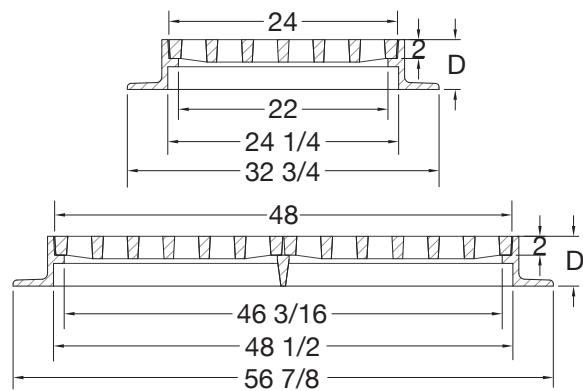
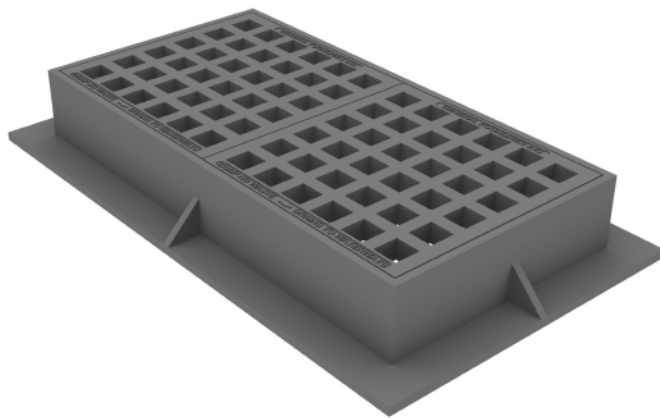
**NOTES:**

- Dimensions are approximate & in inches
- Gray Iron, Class 30B
- Conforms to ASTM A48 / A48M-03 specifications
- \* Please specify if required in Class 35B or Ductile Iron

FRAME  
HEIGHT

PRODUCT NO.	D	FRAME
24843SQH	4	3 Flange
24863SQH	6	3 Flange
24883SQH	8	3 Flange

## Heavy Duty, Built Up Type Frame, Square Hole Grate



**NOTES:**

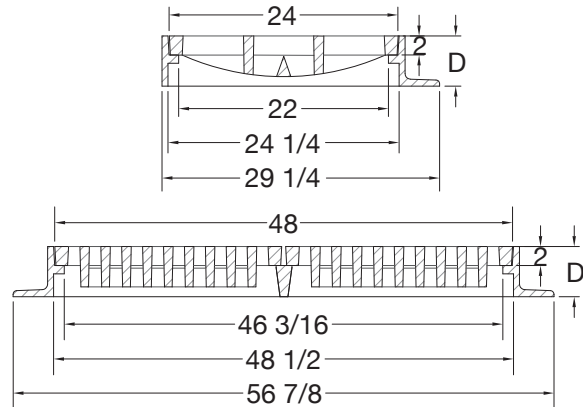
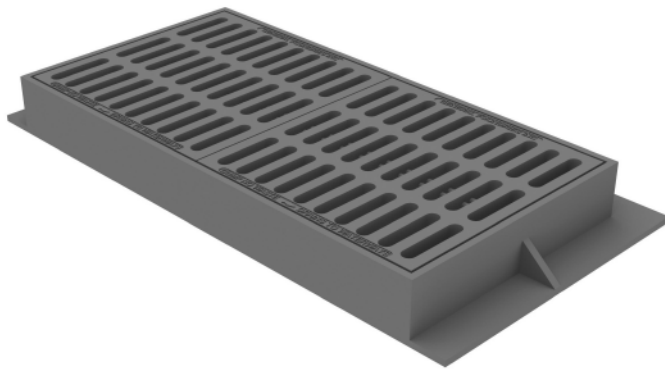
- Dimensions are approximate & in inches
- Gray Iron, Class 30B
- Conforms to ASTM A48 / A48M-03 specifications
- \* Please specify if required in Class 35B or Ductile Iron

FRAME  
HEIGHT

PRODUCT NO.	D	FRAME
24844SQH	4	4 Flange
24864SQH	6	4 Flange
24884SQH	8	4 Flange



Heavy Duty, Built Up Type Frame, Bike Safe Grate



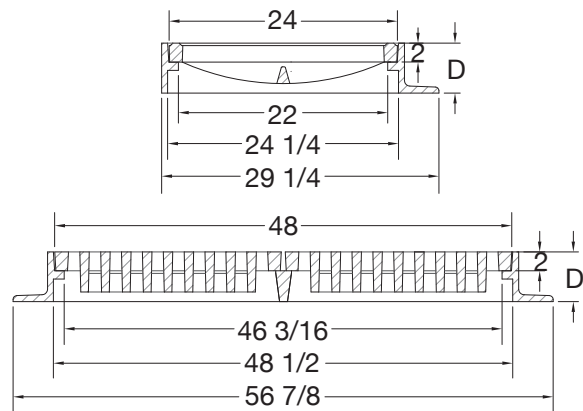
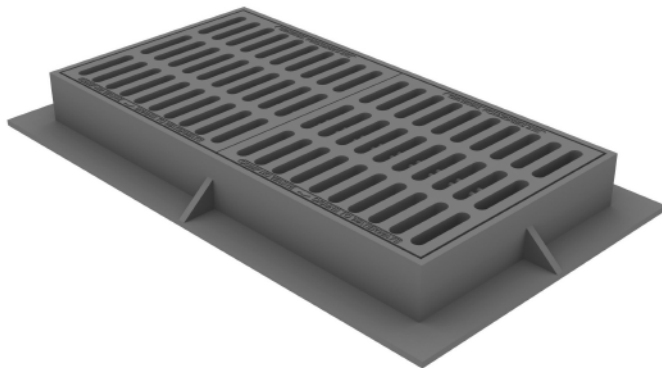
NOTES:

- Dimensions are approximate & in inches
- Gray Iron, Class 30B
- Conforms to ASTM A48 / A48M-03 specifications
- \* Please specify if required in Class 35B or Ductile Iron

FRAME  
HEIGHT

PRODUCT NO.	D	FRAME
24843BS	4	3 Flange
24863BS	6	3 Flange
24883BS	8	3 Flange

Heavy Duty, Built Up Type Frame, Bike Safe Grate



NOTES:

- Dimensions are approximate & in inches
- Gray Iron, Class 30B
- Conforms to ASTM A48 / A48M-03 specifications
- \* Please specify if required in Class 35B or Ductile Iron

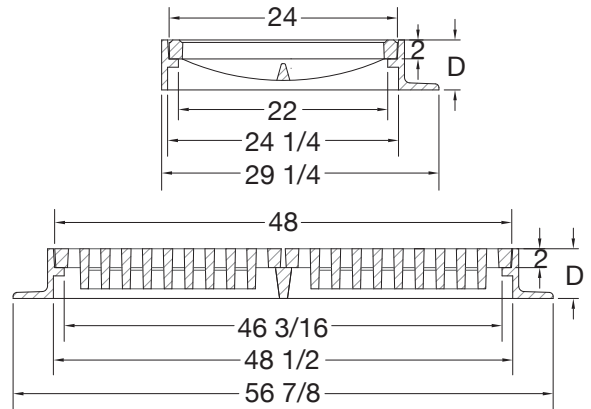
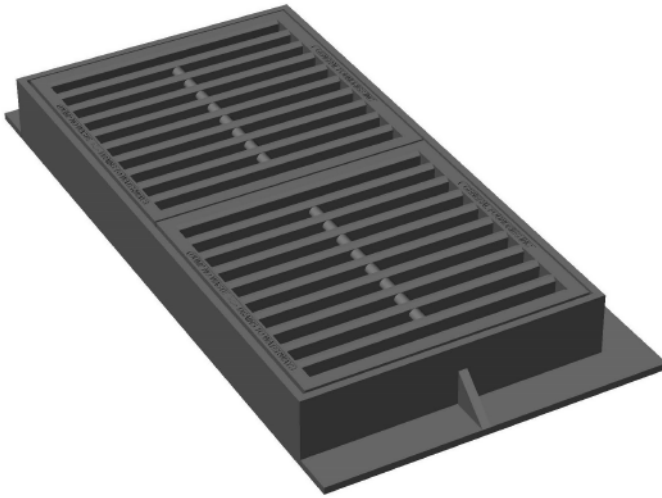
FRAME  
HEIGHT

PRODUCT NO.	D	FRAME
24844BS	4	4 Flange
24864BS	6	4 Flange
24884BS	8	4 Flange





## Heavy Duty, Built Up Type Frame, Bar Grate



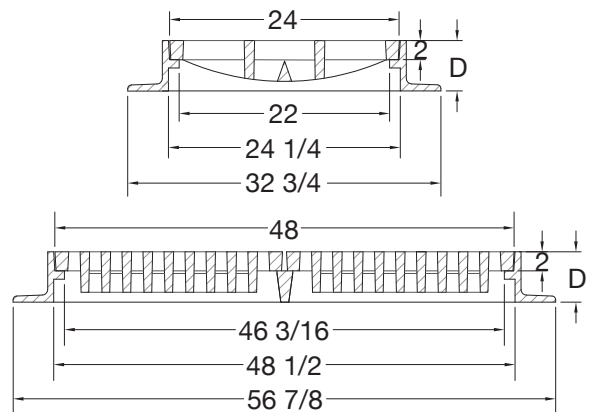
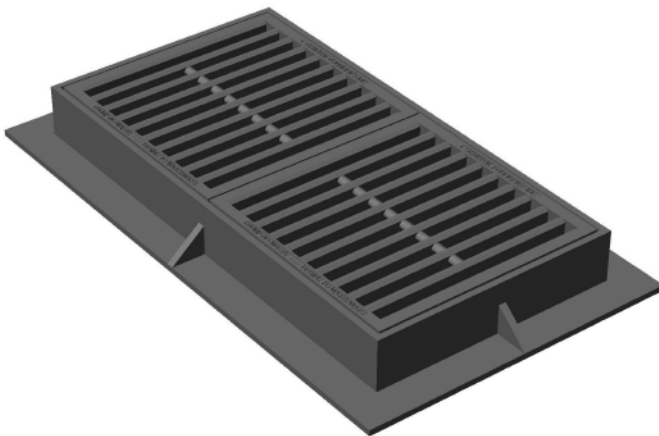
**NOTES:**

- Dimensions are approximate & in inches
- Gray Iron, Class 30B
- Conforms to ASTM A48 / A48M-03 specifications
- \* Please specify if required in Class 35B or Ductile Iron

FRAME  
HEIGHT

PRODUCT NO.	D	FRAME
24843BAR	4	3 Flange
24863BAR	6	3 Flange
24883BAR	8	3 Flange

## Heavy Duty, Built Up Type Frame, Bar Grate



**NOTES:**

- Dimensions are approximate & in inches
- Gray Iron, Class 30B
- Conforms to ASTM A48 / A48M-03 specifications
- \* Please specify if required in Class 35B or Ductile Iron

FRAME  
HEIGHT

PRODUCT NO.	D	FRAME
24844BAR	4	4 Flange
24864BAR	6	4 Flange
24884BAR	8	4 Flange

