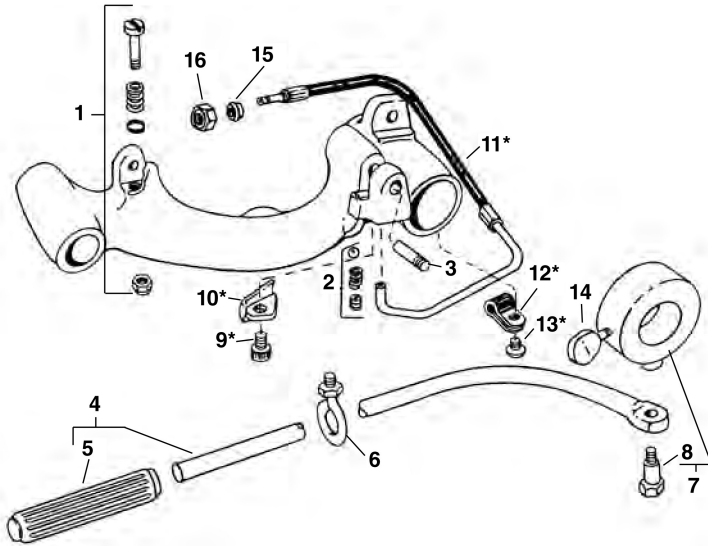


**No. 311 Carriage w/Lever** (200, 300 Power Drive)

**No. 311A Carriage w/Lever** (300A, 304 Retrofit)

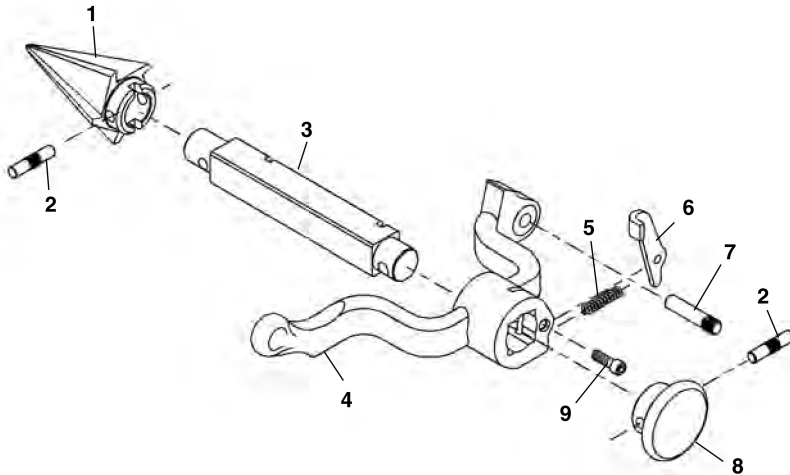
**311**  
**311A**  
**341**  
**360**

**NOTE: Order parts by Catalog Number only.  
DO NOT order by Reference Number.**



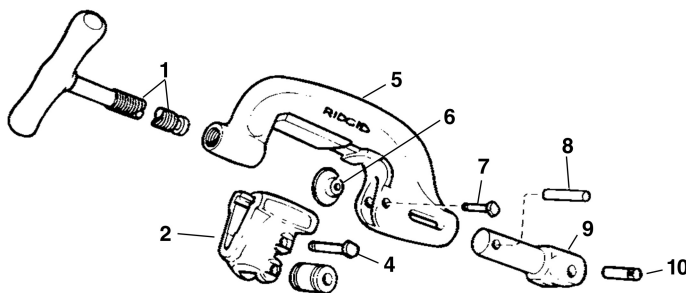
Ref. No.	Catalog No.	Description
—	68815	311 Carriage w/Lever
—	96945	311A Carriage w/Lever
—	42385	312 Lever Kit (incl. Ref. No. 4, 6, 7, 14)
1	45515	Stop Bolt Assembly
2	46810	Detente Assembly
3	47065	Reamer Hinge Pin
4	43400	Lever Arm Assembly
5	46235	Handgrip
6	46205	Eye Bolt Assembly
7	46215	Collar Assembly
8	46210	Shoulder Bolt
9	96900	Screw
10	96970	Oil Line Cover
11	96965	Hose Assembly
	19336	Hose Assembly (Europe)
12	96895	Clamp
13	96915	Screw
14	46220	Thumbscrew
15	19966	Ferrule
16	19956	Nut

**No. 341 Reamer**



Ref. No.	Catalog No.	Description
—	42365	341 Reamer Complete
1	36277	Cone (R.H.)
	46660	Cone (L.H. & R.H.)
2	47155	Pin
3	43790	Reamer Bar
4	43230	Reamer Arm
5	44700	Latch Spring
6	46665	Reamer Latch
7	47065	Hinge Pin
8	46585	Reamer Knob
9	46515	Screw 1/4" - 20 x 3/4"

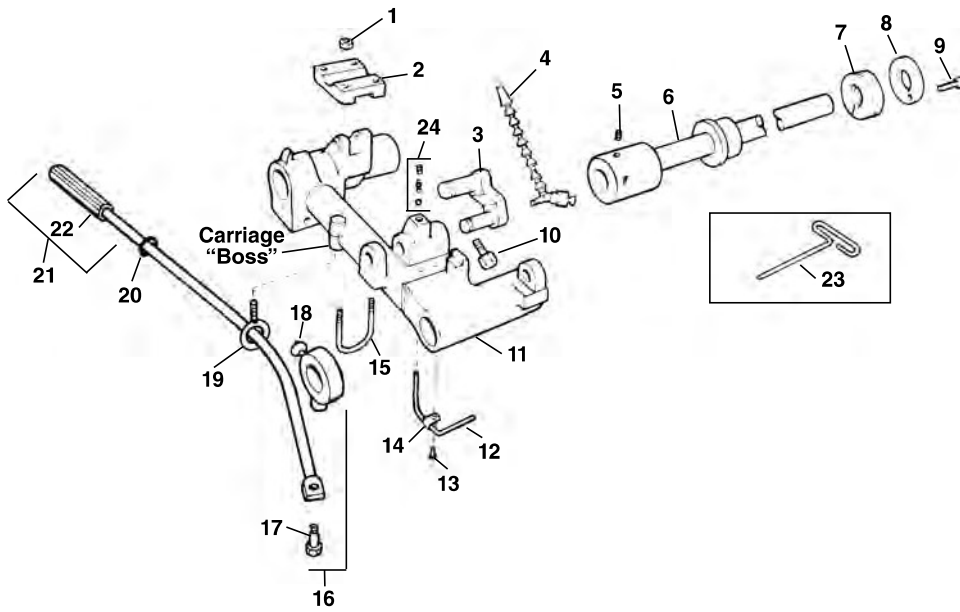
**No. 360 Cutter**



Ref. No.	Catalog No.	Description
—	42370	360 Cutter Complete
1	43625	Screw Handle
2	33400	Roll Housing Assembly
3	34305	Roll (2)
4	34310	Roll Pin (2)
5	43595	Cutter Frame
6	33100	Cutter Wheel Thin
	33105	Cutter Wheel H.D.
	44185	Cutter Wheel Std.
7	34780	Wheel Pin
8	45435	Retaining Pin
9	45505	Support Arm
10	45520	Pin

**No. 241 Carriage Mount Kit Parts**

**NOTE: Order parts by Catalog Number only. DO NOT order by Reference Number.**



Ref. No.	Catalog No.	Description
—	35877	241 Carriage Mount Kit
1	96730	Hex Nut, 5/16" - 18
2	36177	Saddle
3	36182	Connecting Link
4	35277	Coolant Nozzle
5	39775	Set Screw, 5/8" - 11
6	36187	Drive Bar
7	36192	Spring
8	36197	End Cap
9	27357	Cap Screw, 1/4" - 20 x 3/4"
10	35202	Sq. Hd. Set Screw, 1/2" - 13
11	35052	Carriage
12	35067	Oil Supply Line
13	79965	Screw, 10-32 x 1/2"
14	35062	Oil Line Clamp
15	35207	U-Bolt
16	35282	Collar Assembly
17	46210	Shoulder Bolt
18	46220	Thumb Screw
19	35082	Eye Bolt
20	35092	O-Ring
21	43400	Lever Arm Assembly
22	46235	Hand Grip
23	35212	Hex Wrench
24	46810	Detente Assembly

**No. 822 Blade Cutter Adapter Kit Parts**  
**307 Oil Spout Assembly**

Ref. No.	Catalog No.	Description
—	35872	822 Adapter Kit
—	36602	307 Manifold Kit
1	36137	Cutter Arm (822 Kit Only) (1)
2	39845	Coolant Nozzle (1)
3	44510	Cap Screw 1/4" - 20 x 2" (1)
4	36142	Drip Guard (1)
5	36147	90° Street Elbow (1)
6	36152	Oil Line (3.3 in.) (1)
7	36157	90° Comp. Fitting (2)
8	36162	Oil Line (7.4 in.) (1)
9	36167	3-Way Valve (1)
10	36172	Reducer Bushing (1)
11	83890	Hex Nut, 1/4" - 20 (1)
12	27097	Flat Washer, 1/4" (1)

