

Features

- Complete with Factory Installed Tank Trim, Trip Lever, Tank-to-Bowl Gasket, Washers, Bolts and Nuts
- 1.6 gpf / 6.0 lpf
- Fits Toilet Bowl Models: 117, 130, 131, 135, 137, 138 and 139NS
- Available in White or Standard Colors
- Outstanding protection — Mansfield's Limited Lifetime Warranty/ Limited One Year Parts Warranty



Model 160

Components

Model #	Description	Approximate Weight	
160	Alto™ 1.6 gpf/6.0 lpf, toilet tank with 211 flush valve, ballcock and chrome-plated metal trip lever.	31 lbs.	14 kg
160RH	Same as model 160, with chrome-plated plastic, right hand, trip lever.	31 lbs.	14 kg
161	Same as model 160, with anti-siphon pilot valve.	31 lbs.	14 kg
165	Same as model 160, with cover lock.	31 lbs.	14 kg
170	Same as model 160, with toilet tank liner.	31 lbs.	14 kg
171	Same as model 160, with toilet tank liner and anti-siphon pilot valve.	31 lbs.	14 kg
173	Same as model 160, with color-match trip lever, pilot valve and 2" flapper.	31 lbs.	14 kg
174	Same as model 160, with color-match trip lever, tank liner, pilot valve and 2" flapper.	31 lbs.	14 kg
175	Same as model 160, with cover lock and toilet tank liner.	31 lbs.	14 kg
180	Same as model 160, with color-match trip lever.	31 lbs.	14 kg
181	Same as model 160, with color-match trip lever and anti-siphon pilot valve.	31 lbs.	14 kg
190	Same as model 160, with color-match trip lever and toilet tank liner.	31 lbs.	14 kg

Features



211 Flush Valve (Flush Tower)

The 211 flush valve provides 1.6 gpf / 6.0 lpf water conservation efficiency with non-corrosive, long-life dependability. It seals tight every time. Won't rust or corrode.



Pilot Operated, Anti-Siphon Fill Valve

Fill valve operates efficiently at low or high water pressures. Provides optimal flush performance consistency. Easily adjustable to retain optimum water level.



Flush Valve (2" Flapper)

This flapper flush valve provides 1.6 gpf / 6.0 lpf water conservation efficiency. Plastic construction provides non-corrosive, long-life dependability. Won't rust or corrode. Factory installed on toilet tank models 173 and 174.



Anti-Siphon Ballcock

Adjustment screw allows water level adjustment without bending the float rod. Completely non-electrolytic and non-corrosive. Factory-installed on toilet tank models 160, 160RH, 165, 170, 175, 180 and 190.



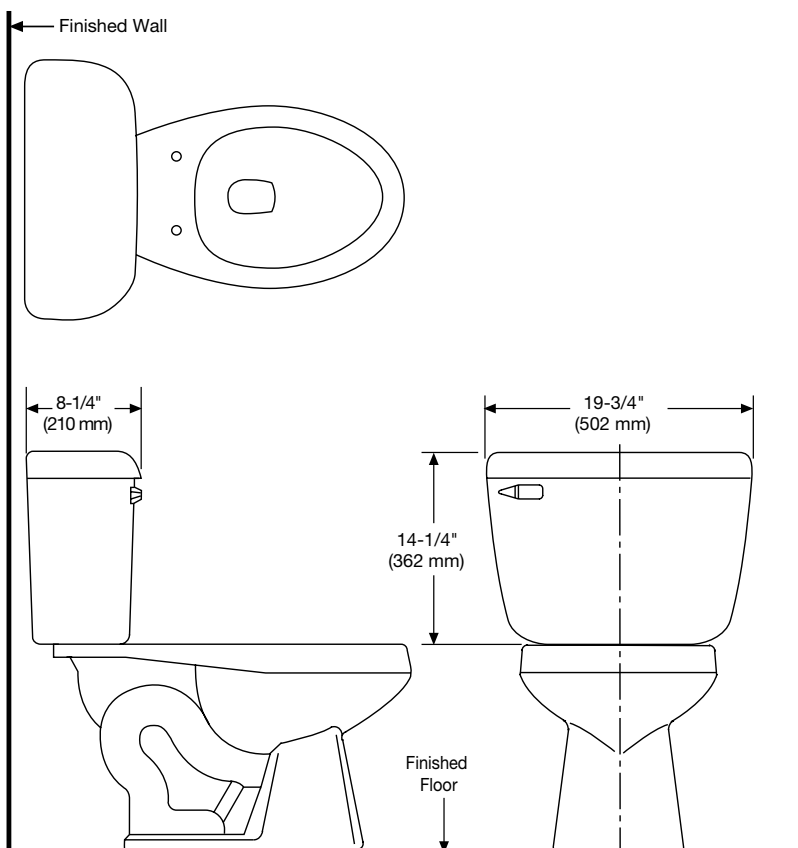
MADE IN USA

Specifications

Model #	Description	Approximate Weight
160	Toilet tank (1.6 gpf/6.0 lpf) 14-1/4" (L) x 19-3/4" (W) x 8-1/4" (D)	31 lbs. / 14 kg

Specification	Description	Specification	Description
Material	Vitreous China	Shipping Weight	Tank only - 34 lbs. (16 kg)
Water Pressure Range	20 to 80 PSI	Warranty	Vitreous China - Limited Lifetime Tank Trim - Limited One Year
Water Usage	1.6 gpf / 6.0 lpf		

Technical Information



See our complete line of acrylic and vitreous china bathroom fixtures, plastic tank trim and plumbing products.

These dimensions are nominal and subject to change without notice.

Fixture performance and specifications meet or exceed ASME A112.19.2-2008/CSA B45.1-08 standards, and other state and local codes.



MADE IN USA