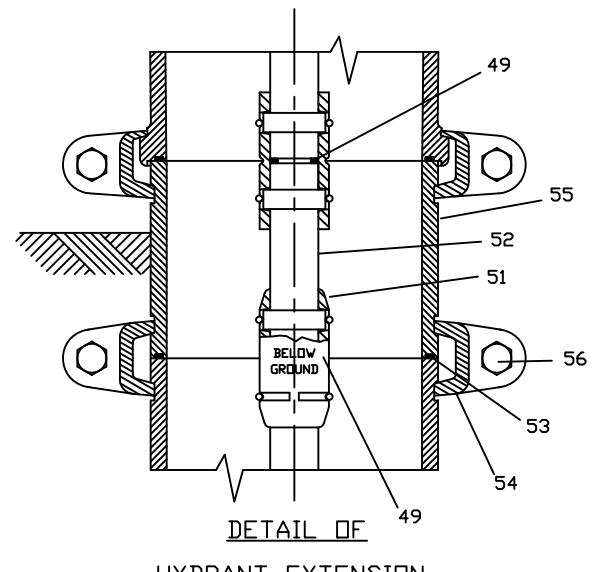
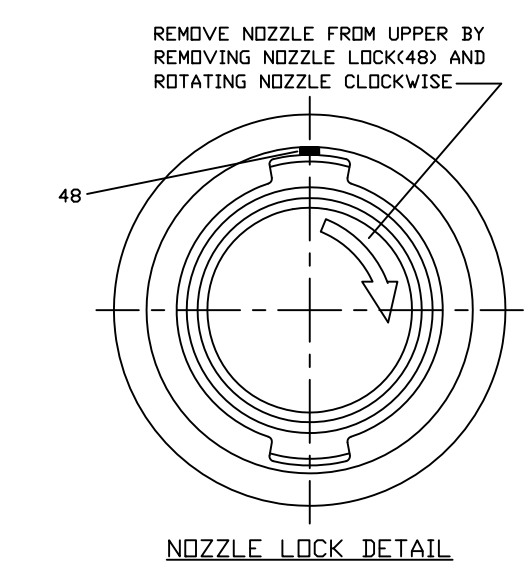


ITEM NO.	NAME OF PART	QTY REQ'D	MATERIAL	SPECIFICATION
1	OPERATING NUT	1	DUCTILE IRON	ASTM A536
2	OPERATING NUT SEAL	1	RUBBER	BUNA N 70 DURD
3	OPERATING NUT LOCKING PIN	1	STEEL	RUST PROOFED
4	LUBRICANT (IN CHAMBER)	1	DIANA 2100	FORSYTHE
5	TRAVEL STOP NUT	1	STEEL	ASTM A307 GR.B
6	HOLD DOWN NUT	1	BRONZE	ASTM B584 C8345
7	HOLD DOWN NUT SCREW	1	STEEL	ASTM A574
8	BONNET(SPECIFY DIRECTION)	1	DUCTILE IRON	ASTM A536
9	BONNET LOCKING SCREW	1	STAINLESS STEEL	TYPE 18-8
10	BONNET SEAL	1	RUBBER	BUNA N 70 DURD
11	O-RING	1	RUBBER	BUNA N 70 DURD
12	BONNET-REVOLVING NUT "O" RINGS	2	RUBBER	BUNA N 70 DURD
13	REVOLVING NUT(SPECIFY DIRECTION)	1	BISMUTH BRASS	ASTM B584 C89833
14	INNER REVOLVING NUT "O" RINGS	2	RUBBER	BUNA N 70 DURD
15	PUMPER NOZZLE	1	BISMUTH BRASS	ASTM B584 C89833
16	PUMPER NOZZLE CAP GASKET	1	RUBBER	D-2000 NEOPRENE
17	PUMPER NOZZLE CAP	1	CAST IRON	A-126 CLASS B
18	PUMPER NOZZLE O-RING	1	RUBBER	D-2000 BUNA N
19	HOSE NOZZLE	2	BISMUTH BRASS	ASTM B584 C89833
20	HOSE NOZZLE CAP GASKET	2	RUBBER	D-2000 NEOPRENE
21	HOSE NOZZLE CAP	2	CAST IRON	A-126 CLASS B
22	HOSE NOZZLE O-RING	2	RUBBER	D-2000 BUNA N
23	CHAIN ASSEMBLY	1	STEEL	RUST PROOFED
24	ROD UPPER, (SPECIFY DIRECTION)	1	STAINLESS STEEL	TYPE 410
	INCLUDING, SHEATH W/UL "O" RING	1	BRASS	ASTM B-135
	ROD PIN - SHEAR PROOF	1	STEEL	RUST PROOFED
25	STANDPIPE UPPER (SPECIFY V.O.)	1	DUCTILE IRON	ASTM A536
26	ROD COUPLING (FRANGIBLE)	1	CAST IRON	ASTM A126 CL.B
27	COUPLING RETAINING RINGS	2	STAINLESS STEEL	TYPE 18-8
28	ROD COUPLING PINS	2	STAINLESS STEEL	ASTM A276 (431)
29	STANDPIPE COUPLING SEAL	1	RUBBER	BUNA N 70 DURD
30	SP. COUPLING HALVES (FRANGIBLE)	2	CAST IRON	ASTM A126 CL.B
31	STANDPIPE COUPLING BOLT & NUT	2	STAINLESS STEEL	TYPE 304
32	VALVE ROD LOWER (SPECIFY BURY)	1	STAINLESS STEEL	TYPE 410
33	STANDPIPE LOWER (SPECIFY BURY)	1	DUCTILE IRON	ASTM A536
34	TOP PLATE PIN - SHEAR PROOF	1	STEEL	RUST PROOFED
35	VALVE TOP PLATE (SPECIFY V.O.)	1	NDZ-S BRONZE	ASTM B763 C99500
37	ELBOW LOCKING KEY	4	STAINLESS STEEL	TYPE 304
38	"O"-RING GASKET	1	RUBBER	BUNA N 70 DURD
39	DRAIN VALVE FACING	2	RUBBER	URETHANE
42	SEAT RING (SPECIFY V.O.)	1	BISMUTH BRASS	ASTM B584 C89833
43	SEAT RING O-RING	2	RUBBER	BUNA N 70 DURD
44	MAIN VALVE	1	RUBBER	BUNA S 90 DURD
45	VALVE BOTTOM PLATE	1	DUCTILE IRON	ASTM A536
46	ELBOW, INCLUDING SUB-SEAT	1	DUCTILE IRON	ASTM A536
	DRAIN HOLE LINER	2	COPPER	ASTM B75
47	ANTI FRICTION BEARING	1	DELIN 500	DUPONT
48	NOZZLE LOCK	3	STAINLESS STEEL	A-276 305 DR 410
49	DAMPENER	1	RUBBER	BUNA N 70 DURD

ITEM NO.	EXTENSION KIT PARTS	QTY REQ'D	MATERIAL	SPECIFICATION
49	DAMPENER	1	RUBBER	BUNA N 70 DURD
51	EXTENSION ROD CPLG. ASS'Y (NON-FRANG.)	1	DUCTILE IRON	ASTM A536
52	ROD EXTENSION (SPECIFY LENGTH)	1	STAINLESS STEEL	TYPE 410
53	EXTENSION COUPLING GASKET	1	RUBBER	BUNA N
54	STP. COUPLING HALF (NON-FRANG)	2	DUCTILE IRON	ASTM A536
55	STP. EXTENSION (SPECIFY LENGTH)	1	DUCTILE IRON	ASTM A536
56	EXTENSION COUPLING BOLT & NUT	2	STN. STEEL	TYPE 304

**SAFETY REPAIR KIT (4000001719)**  
 INCLUDES PART NO'S. 26,27,28,29,30&31

OPTIONS	STANDARD	REQUIRED
VALVE OPENING	4 1/2" OR 5 1/4"	
OPEN DIRECTION	OPEN LEFT(CCW)	
NUT SIZE	AWWA PENT. 1 1/2"P TO F	
HOSE NOZZLE	2-2 1/2" I.D., N.S.T.	
PUMPER NOZZLE	1-4 1/2" I.D., N.S.T.	
NOZZLE CHAINS	OPTIONAL	
BURY	IN 6" INCREMENTS	
INLET JOINT	MJ	



CONFIGURATION SHOWN: 2 HOSE-1 PUMPER  
 NOZZLE ID'S AVAILABLE: 2 1/2", 3", 3 1/2", 3 3/4", 4", 4 1/4", 4 1/2" & 5"  
 ELBOW INLETS AVAILABLE: 6" MJ LUG, 6" TYTON LUG, 4" & 6" CLASS 125 FLG. & 4" MJ LUG  
 UL/FM LISTED

OPTION 611  
 TYPE 410 STAINLESS STEEL UPPER & LOWER STEM  
 250WP-500TEST MET 250-M94 PER AWWA C502

Avc (MILLIMETER) INCH	TOLERANCES - MACHINING UNLESS OTHERWISE NOTED	THIRD ANGLE PROJECTION
INITIAL RELEASE	BREAK EDGES FINISH SURFACES	PURCH. FINISH
DRFT'R KMF 8-3-10	MACH. .006/.016	REF. NO. SCALE
CHK'R	125	STK. NO.
APP	FRACTIONS ±1/64 DECIMALS 2 PL ±.025 3 PL ±.010 ANGLES ±1°	
E.O. NUMBER		

MAT'L. DESCR. METROPOLITAN 250 HYDRANT 4-1/2 & 5-1/4 V.O. REVISION B NUMBER FH-294 SHEET 1 OF 1

REV.	DESCRIPTION	REF.	DRFT'R	CHK'D	APP	DATE
B	REVISE TITLEBLOCK		ANC			6-27-16
A	REVISE MATERIAL ON ITEMS#13,15,19,35,42 & 46		ANC			12-11-13
REV.	DESCRIPTION	REF.	DRFT'R	CHK'D	APP	DATE

THE DESIGN AND DETAIL OF THIS DRAWING IS OUR PROPERTY AND IS NOT TO BE USED EXCEPT IN CONNECTION WITH OUR WORK. DESIGN AND INVENTION RIGHTS ARE RESERVED.