



**Hart & Cooley**<sup>®</sup>  
*install confidence*

# Light Commercial Grilles, Registers & Diffusers

Edition 5

See  
Inside  
Front  
Cover For  
What's New...

## T-BAR GRILLES & DIFFUSERS

	<b>Product Information</b>	<b>Engineering Data</b>
<b>T-BAR CONSTRUCTION FEATURES</b> .....	.52	
<b>T-BAR RETURN AIR FILTER GRILLES</b>		
659T Steel—Lanced Face .....	.53	.112
659TI Steel—Lanced Face with Fiberglass Back .....	.53	.112
673T Steel—Filter Grille .....	.53	
673TPI R6 Steel—Filter Grille with Steel Plenum, R6 Insulation .....	.54	.112
Molded Fiberglass Back Features .....	.54	
96AFBT Steel—Fixed-Bar Face .....	.54	.112
96AFBTI Steel—Fixed-Bar Face with Fiberglass Back .....	.55	.112
RHF45T Extruded Aluminum—Fixed Bar Face .....	.55	.112
RCBFT Extruded Aluminum—Curved Blade Face .....	.55	
REF5T Extruded Aluminum—fi" Core Grid Face .....	.56	.112
REF5TI Extruded Aluminum—fi" Core Grid Face with Insulation .....	.56	.112
PFT Steel—Perforated Face .....	.56	.112
PFTI Steel—Perforated Face with Fiberglass Back .....	.56	.112
<b>T-BAR RETURN AIR GRILLES</b>		
94AT Steel—Fixed-Bar Face .....	.57	
RH45T Extruded Aluminum—Fixed-Bar Face .....	.57	.112
RCBT Extruded Aluminum—Curved-Blade Face .....	.57	
RE5T Extruded Aluminum—fi" Core Grid Face .....	.58	.112
RE5TI Extruded Aluminum—fi" Core Grid Face with Fiberglass Back .....	.58	.112
<b>T-BAR SURFAIRE/RENOVATOR DIFFUSER</b>		
441, 442, 443, 444, 445 Aluminum—One-Piece Stamped Face .....	.59	.112
REN4 Aluminum—One-Piece Stamped Face with Fiberglass Back .....	.59	.112
<b>REZZIN™ DIFFUSERS</b>		
RZSRT Rezzin™ Plastic T-Bar Directional Diffuser .....	.60	.109-110
RZMCDST Rezzin™ Plastic T-Bar Modular Core Diffuser .....	.60	.109-110
RZBP Rezzin™ Plastic Back Panel .....	.60	
RZSR Rezzin™ Plastic Square-to-Round Back Panel .....	.60	
RZ500 Rezzin™ Plastic Square Ceiling Diffuser .....	.61	.111
RZ16 Rezzin™ Plastic Round Ceiling Diffuser .....	.61	.111
RZREF5T Rezzin™ Plastic T-Bar Egg Crate Filter Grille .....	.58	.113
<b>T-BAR FIXED-PATTERN DIFFUSER</b>		
HVS Steel—Square Three-Core Face Adjustable Collar with Insulation Blanket ..	.62	.113
HVS R6 Steel—Square Three-Core Face Adjustable Collar with R6 Insulation ...	.62	.113
FPD/AFPDP Steel—Square Two-Core Face Fixed Collar .....	.62	.113
FPD12 Steel—Square Two-Core Face Fixed Collar .....	.61	.116
FPD3 Steel—Square Three-Core Face Fixed Collar .....	.62	.113
FPD3 R6 Steel—Fixed-Pattern Diffuser with Insulation .....	.62	
DPD Steel—Detachable Plate Diffuser Fixed Collar .....	.63	.113
DPD R6 Steel—Detachable Plate Diffuser Fixed Collar with Insulation .....	.63	.113
<b>T-BAR PERFORATED SUPPLY/RETURN</b>		
RENPS Steel—Perforated Face with Deflector .....	.63	.113
ARENPS Aluminum—Perforated Face with Fiberglass Back .....	.63	.113
RENP Steel—Perforated Face .....	.63	.113
CBPS Steel—Perforated Face with Curved Blade Deflector .....	.64	.115-116
CBPR Steel—Perforated Face .....	.64	.116
SCBPS Steel—Stamped Curved-Blade Perforated Supply Diffuser .....	.64	.116
FBCS Steel—Stamped Curved Blade with Fiberglass Back .....	.65	

## T-BAR GRILLES & DIFFUSERS

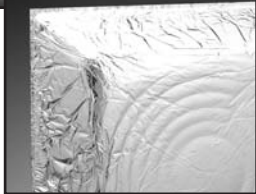
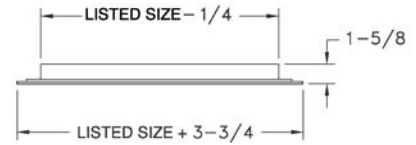
		Product Information	Engineering Data
FBR	Steel—Stamped Curved Blade	.65	
SBP	Steel—Perforated Face Shallow Back	.65	.114
RFPS	Steel—Perforated Face with Directional Deflector	.66	.113
RFPR	Steel—Perforated Face	.66	.114
PDS/PDSD	Steel—Perforated Face with Fixed and Adjustable Deflector	.66-67	.113
PDR	Steel—Perforated Face	.67	.114
PD	Perforated Face Only	.67	.114
PDF	Perforated Face with Frame	.67	
<b>T-BAR DIRECTIONAL/MODULAR DIFFUSER</b>			
ART	Extruded Aluminum—Square Neck	.68	.87-92
SRT	Steel—Square Neck	.68	.87-92
SRET/SRET R6	Ceiling Diffuser	.68	
MCDST	Extruded Aluminum—Curved-Blade Face	.69	.95-96
MCSDT	Extruded Aluminum—Curved-Blade Face with Damper	.69	.95-96
A500P	Steel—Panel Extruded Aluminum Face	.70	
ECBXT	Steel—With Adjustable Damper	.70	.96
<b>T-BAR ACCESSORIES</b>			
6400	Tab Collar	.71	
5400	Snap-In Collar Ring	.71	
5400PP	Push Pins	.71	
3800	Adjustable Butterfly Damper	.71	
T19	Steel—Multi-Blade Damper	.72	
RD	Radial Blade Damper	.72	
SMF	Extruded Aluminum—Surface Mount Frame	.72	
SR	Galvanized Steel—Square-to-Round Transition	.72	
P Panel	Filler Panel	.73	



**659T**  
**Steel**  
**Lanced Filter**  
**Grille**

- Steel construction
- Lanced-face design with 1/3" blade spacing
- Flush, removable face with concealed latches and hinges can be installed in any direction
- Uses standard 1" disposable filters (not furnished)
- Bright White finish

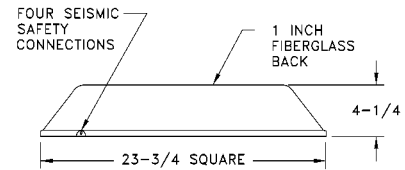
659T Available Sizes
20" x 20" with extended frame (overall 23 <sup>3</sup> / <sub>4</sub> " x 23 <sup>3</sup> / <sub>4</sub> ") for 24" x 24" openings
44" x 20" with extended frame (overall 47 <sup>3</sup> / <sub>4</sub> " x 23 <sup>3</sup> / <sub>4</sub> ") for 48"x24" opening



**659TI**  
**Steel**  
**Lanced Filter**  
**Grille with Insulated Back**

- Steel construction
- Lanced-face design with 1/3" blade spacing
- Flush, non-removable face with a sturdy piano hinge
- Molded fiberglass back R4.2, R6 (see information on page 54)
- Accepts 6" to 14" unique tab collar (6400 series) or 6" to 18" unique snap-in collar (5400 and 5400PP series; 16" and 18" only for R4.2); also accepts standard spin-in collar
- Frame includes four seismic safety connections
- Uses standard 1" disposable filters (not furnished)
- Bright White finish

659TI Available Size
20" x 20" with extended frame (overall 23 <sup>3</sup> / <sub>4</sub> " x 23 <sup>3</sup> / <sub>4</sub> ") for 24" x 24" openings



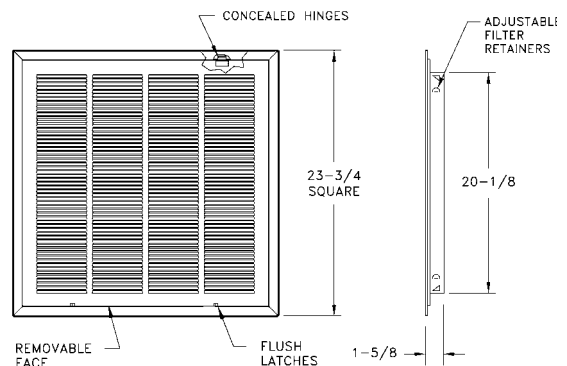
See page 54 for fiberglass specifications.



**673T**  
**Steel**  
**Filter Grille**

- Steel construction
- Lanced-face design with 1/2" blade spacing
- Flush, removable face with concealed latches and hinges can be installed in any direction
- Uses standard 1" disposable filters (not furnished)
- Bright White finish

673T Available Size
20" x 20", overall 23 <sup>3</sup> / <sub>4</sub> " x 23 <sup>3</sup> / <sub>4</sub> "



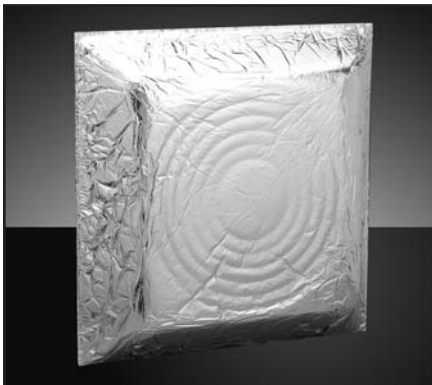
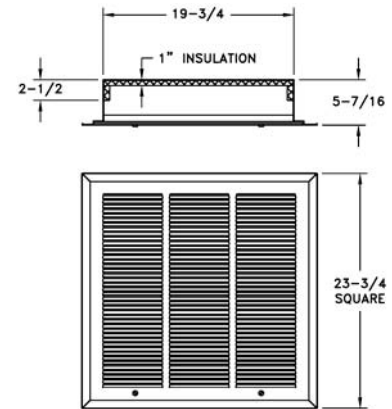
# T-Bar Return-Air Filter Grilles



## 673TPI R6 Steel Filter Grille

- Steel construction
- Lanced-face design with 1/2" blade spacing
- Flush, face with screwdriver latches and piano hinges can be installed in any direction
- Plenum box with R6 insulated ductboard
- Uses standard 1" disposable filters (not furnished)
- Bright White finish

<b>673TPI R6 Available Size</b>
20" x 20", overall 23 <sup>3</sup> / <sub>4</sub> " x 23 <sup>3</sup> / <sub>4</sub> "



## Molded Fiberglass Back R4.2 & R6

Fiberglass back meets or exceeds the following tests and ratings.

- Bonded foil vapor barrier minimizes condensation
- Deep plenum cavity improves performance
- 6" to 16" diameter prescored back allows neck to be determined at time of installation
- R4.2 is 20" across back, R6 is 16" across back

- Back labeled with necessary code approvals
  - Meets 25/50 tested in accordance with A.S.T.M. E84 (UL 723)
  - UL 181 Erosion and Impact Test
  - "R" Values of 4.2 and 6.0
- Test and rating reports available upon written request.

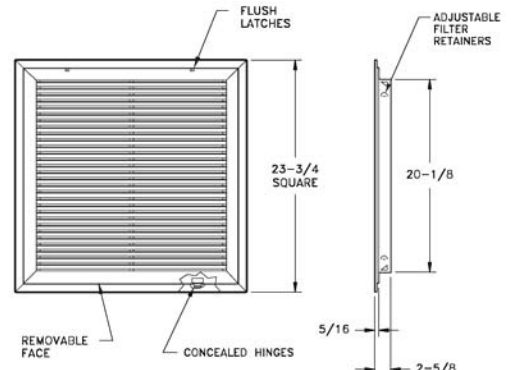
**Note:** Attachment of molded fiberglass back and 5400 collar requires 5400PP (push pins).

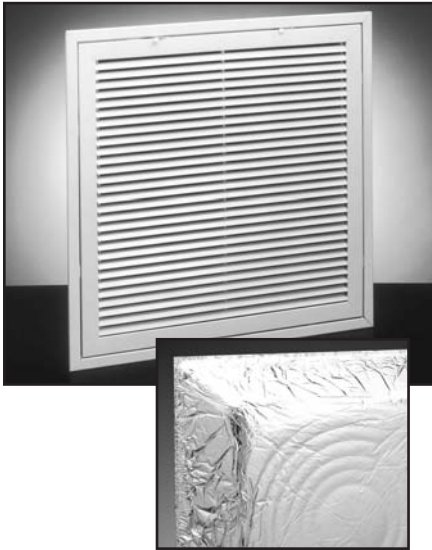


## 96AFBT Steel Fixed-Bar Filter Grille

- All-steel construction
- Bar-style face design
- Flush, removable face with concealed latches and hinges, can be installed in any direction
- Uses standard 1" disposable filters (not furnished)
- Bright White finish

<b>96AFBT Available Sizes</b>
20" x 20", overall 23 <sup>3</sup> / <sub>4</sub> " x 23 <sup>3</sup> / <sub>4</sub> "
44" x 20", overall 47 <sup>3</sup> / <sub>4</sub> " x 23 <sup>3</sup> / <sub>4</sub> "





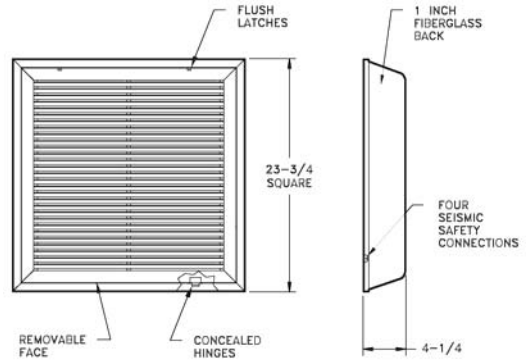
See page 54 for fiberglass specifications.

## 96AFBTI Steel

96AFBTI Available Size
20" x 20", overall 23 <sup>3</sup> / <sub>4</sub> " x 23 <sup>3</sup> / <sub>4</sub> "

### Fixed-Bar Filter Grille with Fiberglass Back

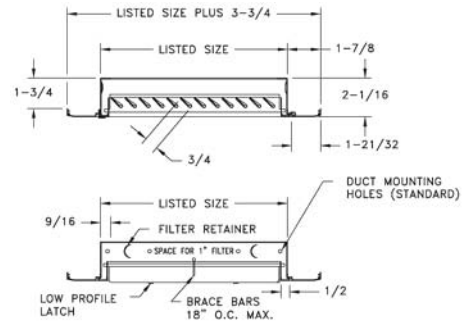
- Steel construction
- Bar-style face design
- Flush, removable face with concealed latches and hinges, can be installed in any direction
- R4.2 molded fiberglass back
- Accepts 6" to 14" unique tab collar (6400 series) or 6" to 18" unique snap-in collar (5400 and 5400PP series); also accepts standard spin-in collar
- Frame includes four seismic safety connections
- Uses standard 1" disposable filters (not furnished)
- Bright White finish



## RHF45T Aluminum Bar-Style Filter Grille

RHF45T Available Sizes
20" x 20" with extended frame (overall 23 <sup>3</sup> / <sub>4</sub> " x 23 <sup>3</sup> / <sub>4</sub> " ) for 24" x 24" openings
44" x 20" with extended frame (overall 47 <sup>3</sup> / <sub>4</sub> " x 23 <sup>3</sup> / <sub>4</sub> " ) for 48" x 24" openings

- Extruded aluminum construction
- Bar-style face
- Hinged to filter frame
- Mounts flush with T-Bar ceilings
- Filter grilles equipped with spring slide fasteners
- Uses standard 1" disposable filter (not furnished)
- Bright White or Satin Anodized finish

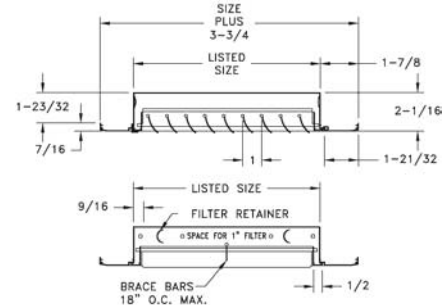


## RCBFT Aluminum Curved-Blade Filter Grille

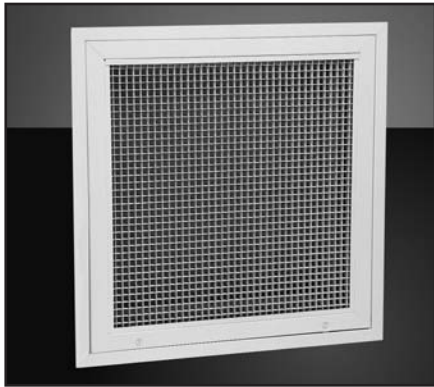
RCBFT Available Sizes
20" x 20" with extended frame (overall 23 <sup>3</sup> / <sub>4</sub> " x 23 <sup>3</sup> / <sub>4</sub> " ) for 24" x 24" openings
44" x 20" with extended frame (overall 47 <sup>3</sup> / <sub>4</sub> " x 23 <sup>3</sup> / <sub>4</sub> " ) for 48" x 24" openings

- Extruded aluminum construction
- Curved-blade style face
- Hinged to filter frame
- Mount flush with T-Bar ceilings
- Filter grilles equipped with spring slide fasteners
- Uses standard 1" disposable filter (not furnished)
- Bright White or Satin Anodized finish

Engineering Data not available



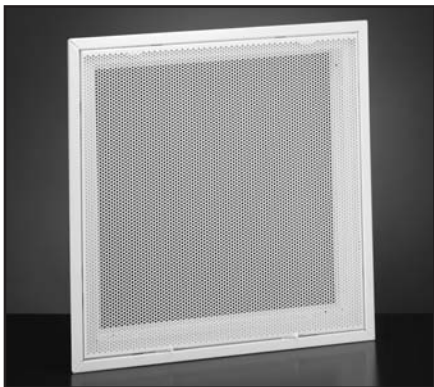
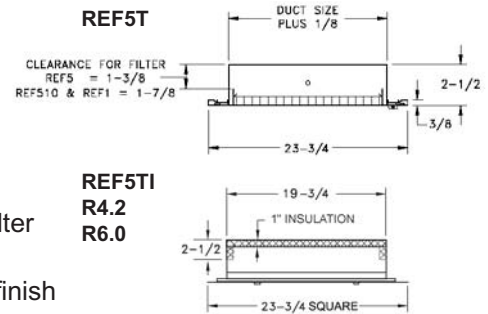
# T-Bar Return-Air Filter Grilles



## REF5T/REF5TI Aluminum Egg Crate Filter Grille

- Aluminum and steel construction
- Egg crate style face
- Hinged to filter frame
- Mount flush with T-Bar ceilings
- Filter grilles equipped with thumb screw fasteners
- Uses standard 1" disposable filter (not furnished)
- Bright White or Mill Aluminum finish

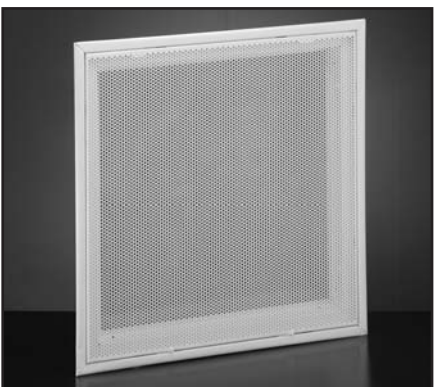
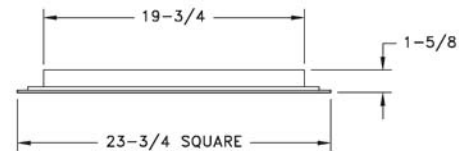
Available Sizes	
REF5T/ REF5TI	20" x 20" with extended frame (overall 23 <sup>3</sup> / <sub>4</sub> " x 23 <sup>3</sup> / <sub>4</sub> " ) for 24" x 24" openings
REF5T only	44" x 20" with extended frame (overall 47 <sup>3</sup> / <sub>4</sub> " x 23 <sup>3</sup> / <sub>4</sub> " ) for 48" x 24" openings



## PFT Steel Perforated Filter Grille

- Steel construction
- Perforated face design
- Flush, removable face with concealed latches and hinges, can be installed in any direction
- Uses standard 1" disposable filters (not furnished)
- Bright White finish

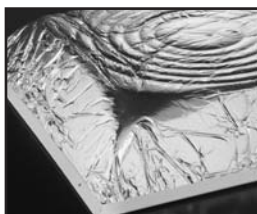
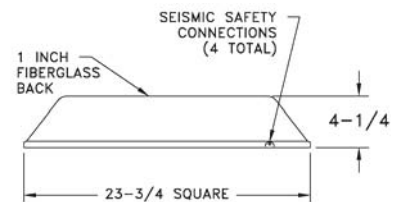
PFT Available Size
20" x 20", overall 23 <sup>3</sup> / <sub>4</sub> " x 23 <sup>3</sup> / <sub>4</sub> "



## PFTI Steel Perforated Filter Grille with Insulated Back

- Steel construction
- Perforated face design
- Flush, removable face with concealed latches and hinges, can be installed in any direction
- Molded fiberglass back, available in R4.2 or R6
- Accepts 6" to 14" unique tab collar (6400 series) or 6" to 18" unique snap-in collar (5400 and 5400PP series; 16" and 18" only for R4.2); also accepts standard spin-in collar
- Frame includes four seismic safety connections
- Uses standard 1" disposable filters (not furnished)
- Bright White finish

PFTI Available Size
20" x 20", overall 23 <sup>3</sup> / <sub>4</sub> " x 23 <sup>3</sup> / <sub>4</sub> "



See page 54 for fiberglass specifications.

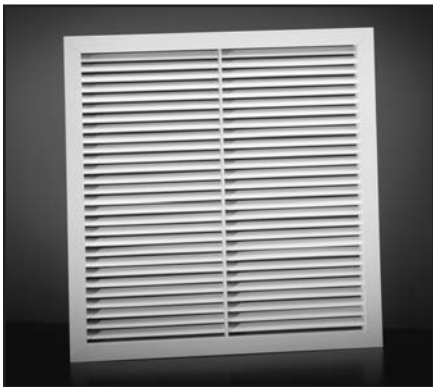
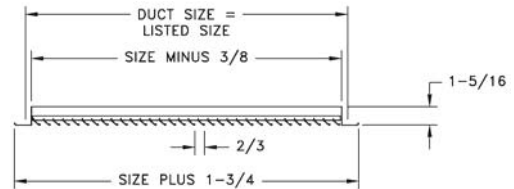


**94AT**  
**Steel**  
**Bar-Style**  
**Return Grille**

- Steel construction
- Mount flush with T-Bar ceilings
- Bright White finish

94AT Available Sizes
22" x 22" (overall 23 <sup>3</sup> / <sub>4</sub> " x 23 <sup>3</sup> / <sub>4</sub> " ) for 24" x24" openings
46" x 22" (overall 47 <sup>3</sup> / <sub>4</sub> " x 23 <sup>3</sup> / <sub>4</sub> " ) for 48" x 24" openings

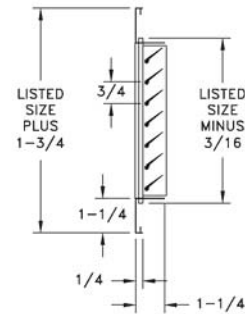
Engineering Data not available



**RH45T**  
**Aluminum**  
**Bar-Style**  
**Return Grille**

- Extruded aluminum construction
- Horizontal bars at 45 degrees
- Mount flush with T-Bar ceilings
- Bright White or Satin Anodized finish

RH45T Available Sizes
22" x 22" (overall 23 <sup>3</sup> / <sub>4</sub> " x 23 <sup>3</sup> / <sub>4</sub> " ) for 24" x24" openings
46" x 22" (overall 47 <sup>3</sup> / <sub>4</sub> " x 23 <sup>3</sup> / <sub>4</sub> " ) for 48" x 24" openings

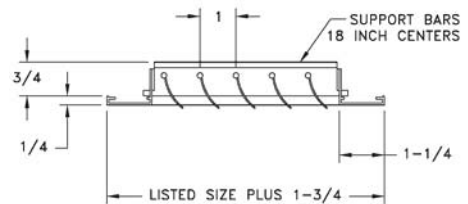


**RCBT**  
**Aluminum**  
**Curved-Blade**  
**Return Grille**

- Extruded aluminum construction
- Horizontal curved blades
- Mount flush with T-Bar ceilings
- Bright White or Satin Anodized finish

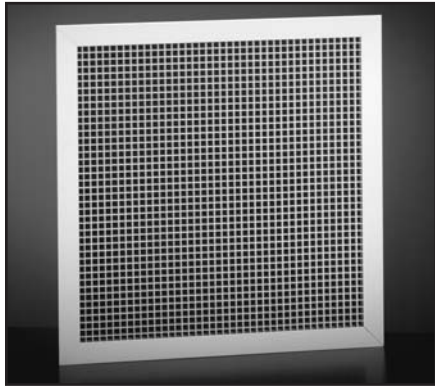
RCBT Available Sizes
22" x 22" (overall 23 <sup>3</sup> / <sub>4</sub> " x 23 <sup>3</sup> / <sub>4</sub> " ) for 24" x24" openings
46" x 22" (overall 47 <sup>3</sup> / <sub>4</sub> " x 23 <sup>3</sup> / <sub>4</sub> " ) for 48" x 24" openings

Engineering Data not available





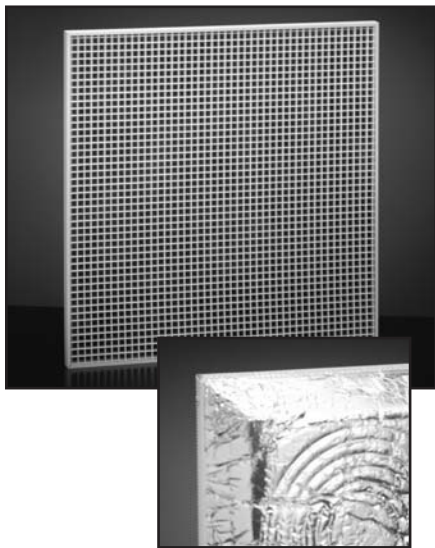
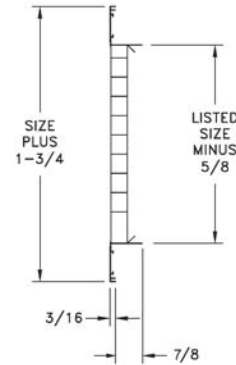
# T-Bar Return-Air Grilles



## RE5T Aluminum Egg Crate Return Grille

- All aluminum construction
- Egg crate style face
- Mount flush with T-Bar ceilings
- Bright White or Mill Aluminum finish

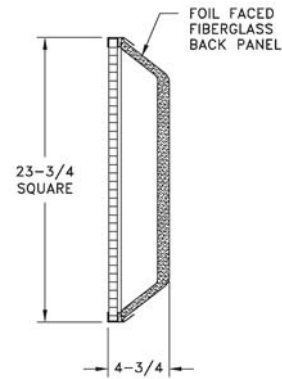
RE5T Available Sizes
22" x 22" (overall 23 <sup>3</sup> / <sub>4</sub> " x 23 <sup>3</sup> / <sub>4</sub> " ) for 24" x24" openings
22" x 46" (overall 47 <sup>3</sup> / <sub>4</sub> " x 23 <sup>3</sup> / <sub>4</sub> " ) for 48" x 24" openings



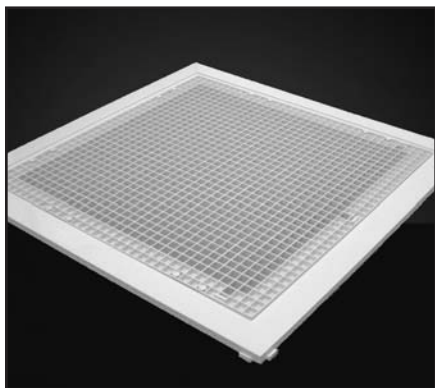
## RE5TI Aluminum Egg Crate Return Grille with Insulated Back

- All aluminum construction
- Egg crate style face
- R4.2 molded fiberglass back
- Accepts 6" to 14" unique tab collar (6400 series) or 6" to 18" unique snap-in collar (5400 and 5400PP series); also accepts standard spin-in collar
- Bright White finish

RE5TI Available Size
grid core face 1/2" x 1/2" x 1/2"



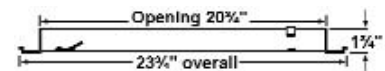
See page 54 for fiberglass specifications.

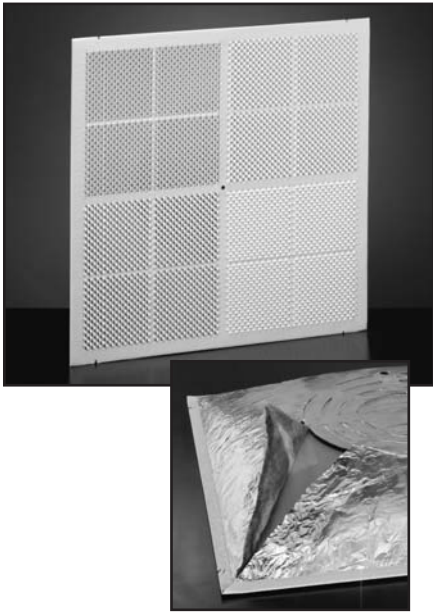


## RZREF5T Plastic T-Bar Egg-Crate Filter Grille

- Egg crate style face, 1/2" x 1/2" x 1/2" grid pattern
- Face is hinged to filter frame
- Mounts flush with T-bar ceilings
- Uses RZBP back panel or standard fiberglass back
- Uses standard 1" disposable filters
- Bright white finish
- Contains metal screws

RZREF5T Available Size
20" x 20", overall 23 <sup>3</sup> / <sub>4</sub> " x 23 <sup>3</sup> / <sub>4</sub> "

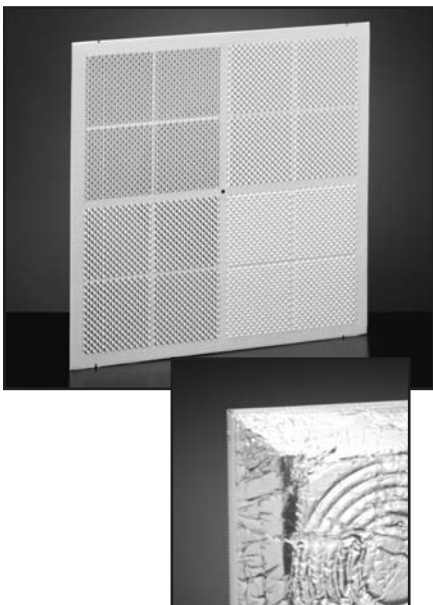
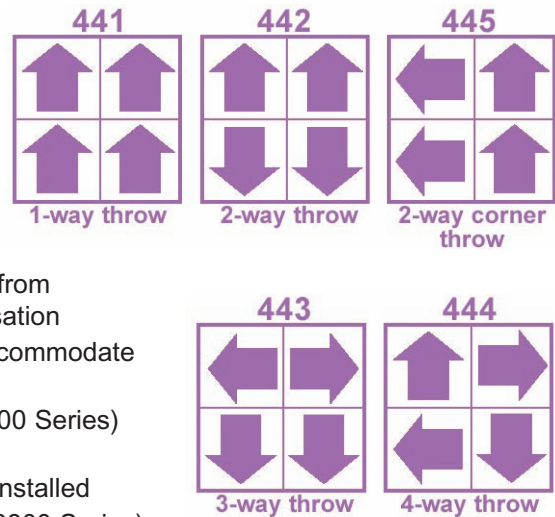
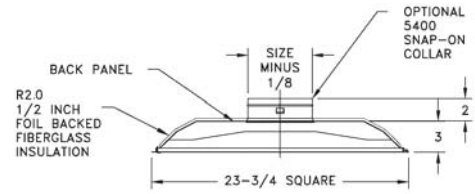




**444 SurfAire®**  
**Aluminum Face**  
**Renovator Series Diffuser**

**444 Available Size**  
 overall size 23<sup>3</sup>/<sub>4</sub>" x 23<sup>3</sup>/<sub>4</sub>"

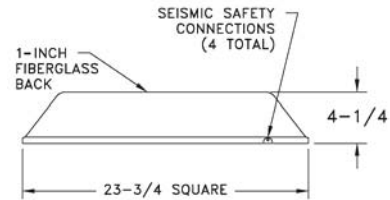
- Aluminum face
- Unique deflector apertures
- Air distributed in thin layers along ceiling surface allowing optimum mixing of conditioned air
- Formed galvanized steel back panel
- Frame includes four seismic safety connections
- Back plate covered with glass fiber insulation to reduce condensation
- Aluminum foil vapor barrier protects insulation from harmful effects of condensation
- Insulation prescored to accommodate collar size desired
- Accepts snap-in collar (5400 Series) (6" to 12")
- 444 - 14" collar is factory-installed
- Utilizes butterfly damper (3800 Series) inserted in collar
- Damper adjusted through diffuser face to allow proper air balancing
- Bright White finish



**REN4**  
**Aluminum Face**  
**Renovator Series Diffuser**  
**with Insulated Back**

**REN4 Available Size**  
 20" x 20", overall 23<sup>3</sup>/<sub>4</sub>" x 23<sup>3</sup>/<sub>4</sub>"

- Aluminum face
- Unique deflector apertures
- Molded fiberglass back panel, available in R4.2 or R6
- Accepts 6" to 14" unique tab collar (6400 series) or 6" to 18" (16" to 18" only for R4.2) unique snap-in collar (5400 and 5400PP series); also accepts standard spin-in collar
- Frame includes four seismic safety connections
- Bright White finish



See page 54 for fiberglass specifications.

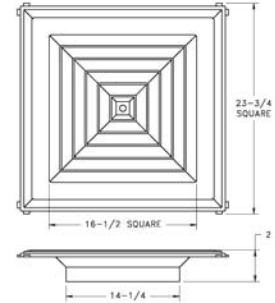
# T-Bar Rezzin Diffusers



## RZSRT Plastic T-Bar Directional Diffuser

- Engineered polymer construction
- Four-way deflection
- Available with RZSR square-to-round, ordered separately
- Bright White finish
- Contains metal screws

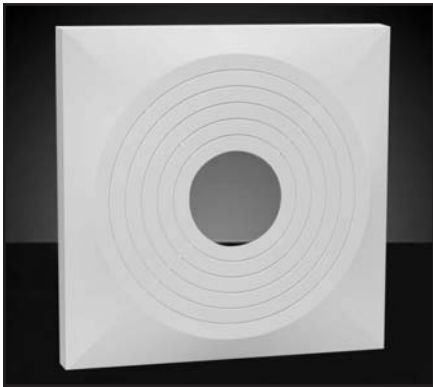
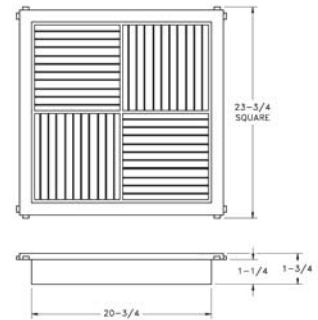
RZSRT Available Size (in.)
24 x 24



## RZMCDST Plastic T-Bar Modular Core Diffuser

- Engineered polymer construction
- Modular cores provide 1-, 2-, 3- or 4-way horizontal air patterns
- Removable modules provide easy access to accessories
- Available with RZBP back panel, ordered separately
- Bright White finish

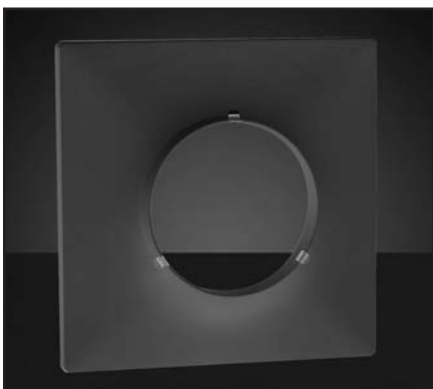
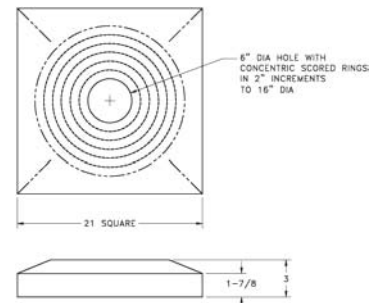
RZMCDST Available Size (in.)
24 x 24



## RZBP Plastic Back Panel

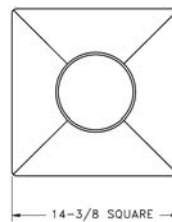
- Engineered polymer construction
- Use 6400 Series Tab Collar
- Bright White finish

RZBP Available Size (in.)
24 x 24

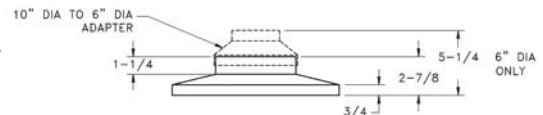


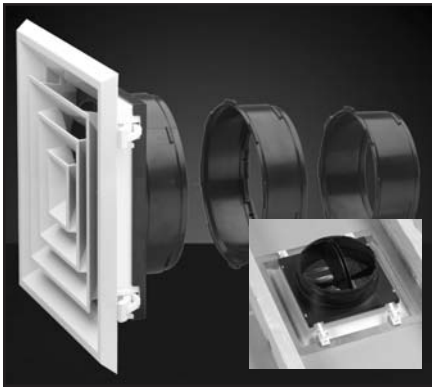
## RZSR Plastic Square-to-Round Transition

- Engineered polymer construction
- Allows flex duct installation for RZSRT
- Black finish
- Contains metal screws/clips
- Can use RD damper



RZSR Available Sizes (in.)	
Square Size	Round Neck
14 x 14	6
14 x 14	8
14 x 14	10
14 x 14	12
14 x 14	14



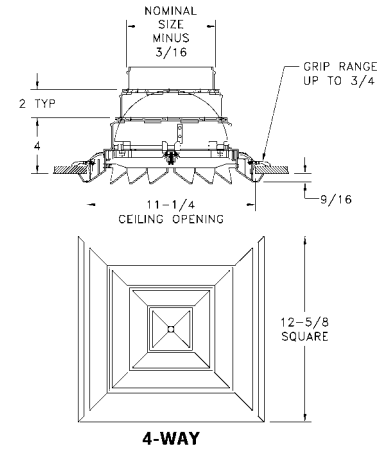


T-Bar Backer Plate or Rafter Rough-In Plate Available

## RZ500 Plastic Square Ceiling Diffuser

- Engineered polymer construction
- 12"x12" face
- 6", 7" and 8" collars included
- Ratcheting cam lock—install without screws
- Removable core and integral damper
- Available in 4-way, 3-way and 2-way corner
- Bright White finish
- Contains metal parts

<b>RZ500 Available Size (in.)</b>
12 x 12



RZ503



RZ504



RZ505

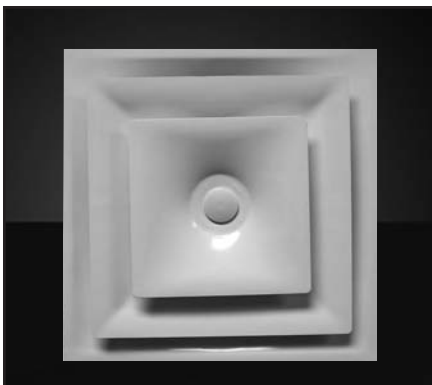
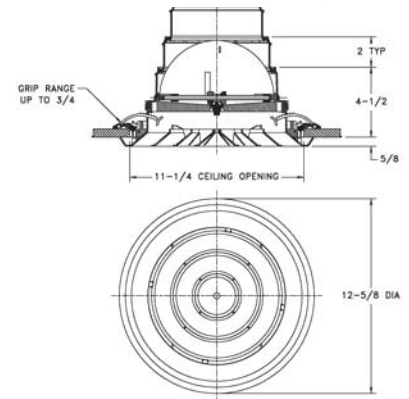


T-Bar Backer Plate or Rafter Rough-In Plate Available

## RZ16 Plastic Round Ceiling Diffuser

- Engineered polymer construction
- 12" round face
- 6", 7" and 8" collars included
- Ratcheting cam lock—install without screws
- Removable core and integral damper
- Bright White finish
- Contains metal parts

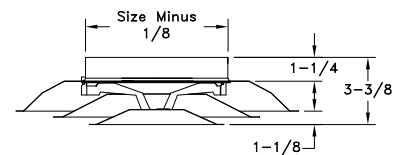
<b>RZ16 Available Size (in.)</b>
12



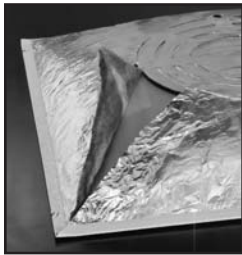
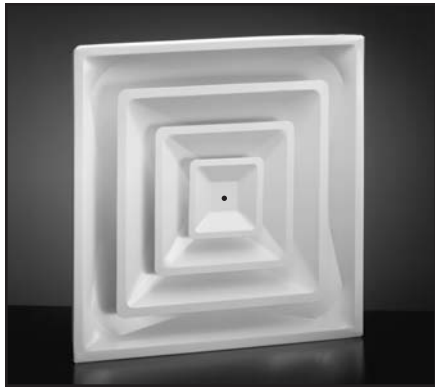
## FPD12 Steel Fixed Pattern Diffuser

- Steel construction
- 360-degree air diffusion
- Two-cone fixed cone
- Fixed collar
- Removable plug for damper
- Used with SMF (page 72) for surface-mount applications
- Bright White finish

<b>FPD12 Available Size</b>
Overall Size 11-3/4" x 11-3/4"



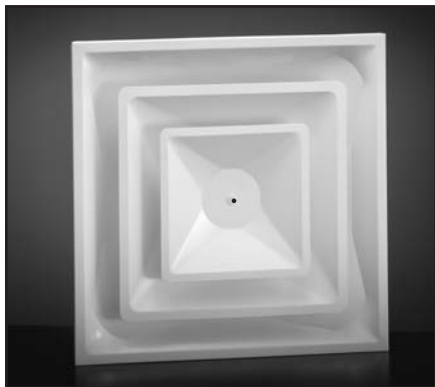
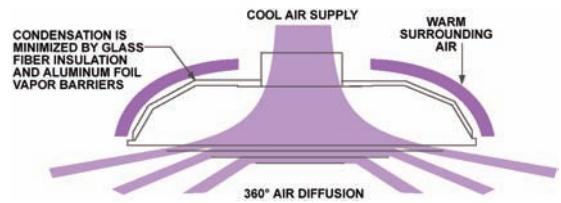
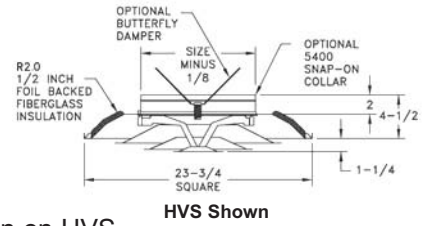
# T-Bar Fixed-Pattern Diffusers



## HVS/HVS R6 Steel High-Volume Supply

- Steel construction
- Provides high air volume delivery
- 360-degree air diffusion
- Formed back panel
- Fixed core
- Fiberglass insulation blanket with foil vapor barrier to minimize condensation on HVS
- Insulation prescored to accommodate collar size desired
- R6 molded fiberglass back on HVS R6; use 5400 with 5400PP
- Accepts unique 2" high snap-in collar (5400 series) (6" to 12")
- Utilizes butterfly damper (3800 Series) inserted in collar
- Bright White finish
- HVS14-14" collar factory-installed

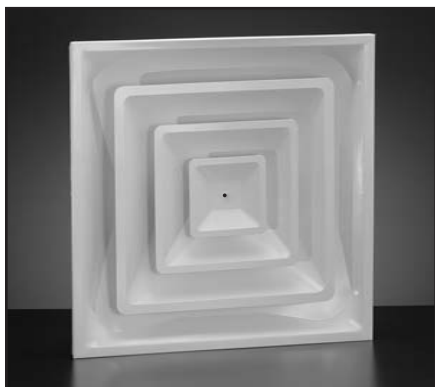
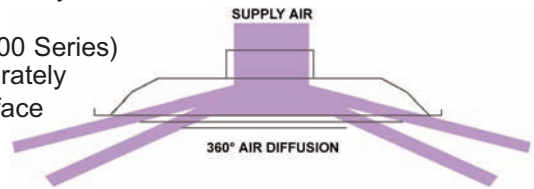
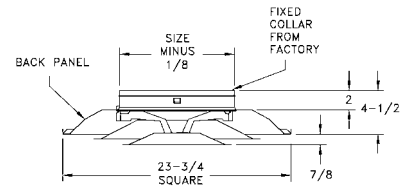
**HVS Available Size**  
Overall Size 23<sup>3</sup>/<sub>4</sub>" x 23<sup>3</sup>/<sub>4</sub>"



## FPD/AFP Steel/Aluminum Fixed-Pattern Diffuser

- Steel construction
- AFPD is Aluminum construction
- Provides high air volume delivery
- 360-degree air diffusion
- Two-cone fixed core
- Fixed collar 6" to 14"
- Unique 2" high collar permits easy flex connections
- Utilizes butterfly damper (3800 Series) inserted in collar; order separately
- Damper adjustable through face
- Formed back panel
- Bright White finish

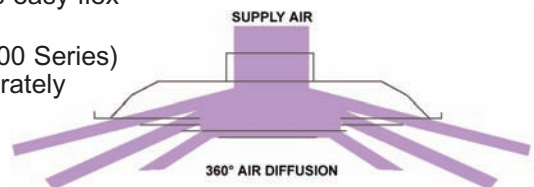
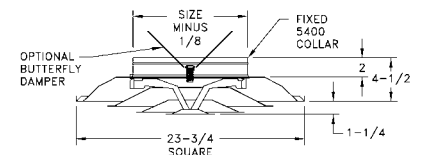
**FPD T-Bar Available Size**  
Overall Size 23<sup>3</sup>/<sub>4</sub>" x 23<sup>3</sup>/<sub>4</sub>"



## FPD3/FPD3 R6 Steel Fixed-Pattern Diffuser

- Steel construction
- Provides high air volume delivery
- 360-degree air diffusion
- Three cone fixed core
- Fixed collar 6" to 14"
- Unique 2" high collar permits easy flex connections
- Utilizes butterfly damper (3800 Series) inserted in collar—order separately
- Damper adjustable thru face
- Formed steel back panel
- Bright White finish
- FPD3 R6 features insulated back

**FPD3 T-Bar Available Size**  
Overall Size 23<sup>3</sup>/<sub>4</sub>" x 23<sup>3</sup>/<sub>4</sub>"



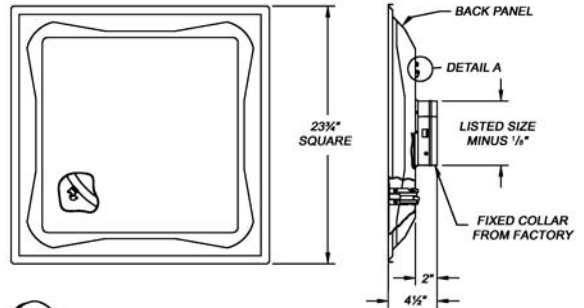
# T-Bar Fixed-Pattern Perforated Supply Diffusers



## DPD/DPD R6 Steel T-Bar Plate Diffuser

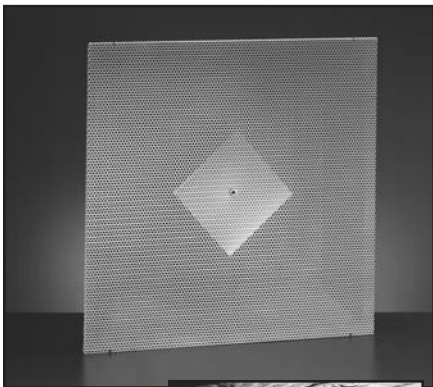
- Aesthetically appealing, single-face plate design
- 360° air diffusion pattern
- Detachable face plate
- 2" fixed collar
- Optional R6 insulated back (DPD R6)
- White finish

DPD/DPD R6 Available Sizes				
6"	8"	10"	12"	14"



### Removing Face Plate

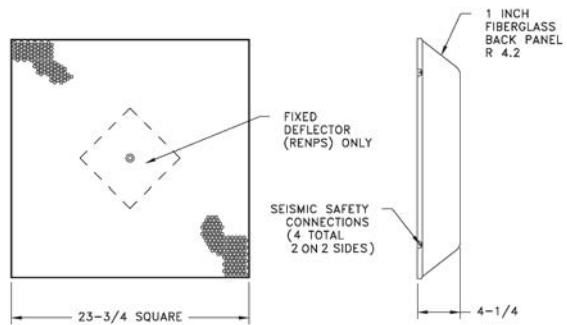
1. Remove black push pins from hook.
2. Push the face plate towards the back panel. This will disengage the hooks from the backside panel slots (*Detail A*).
3. Rotate the face plate counterclockwise, and pull plate away from back panel and hooks through the slots.



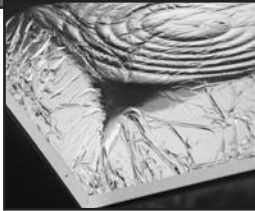
## RENPS/ARENPS RENPS R6 Steel/Aluminum Perforated Supply Diffuser with Insulated Back

- Perforated steel face with deflector
- Molded fiberglass back panel, available in R4.2 or R6
- Accepts 6" to 14" unique tab collar (6400 series) or 6" to 18" unique snap-in collar (5400 and 5400PP series; 6" and 18" only for R4.2); also accepts standard spin-in collar
- ARENPS constructed with aluminum face
- Bright White finish

RENPS Available Size
20" x 20", overall 23 3/4" x 23 3/4"



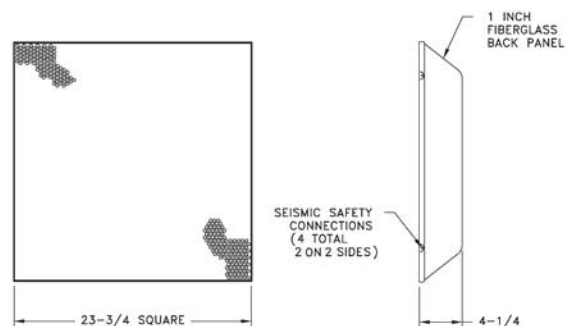
See page 54 for fiberglass specifications.



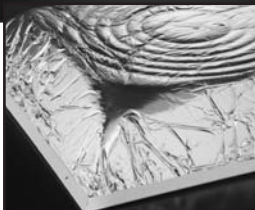
## RENP Steel Perforated Return with Insulated Back

- Perforated steel face
- R4.2 molded fiberglass back panel
- Accepts 6" to 14" unique tab collar (6400 series) or 6"-18" unique snap-in collar (5400 and 5400PP series; 16" and 18" only for R4.2); also accepts standard spin-in collar
- Bright White finish

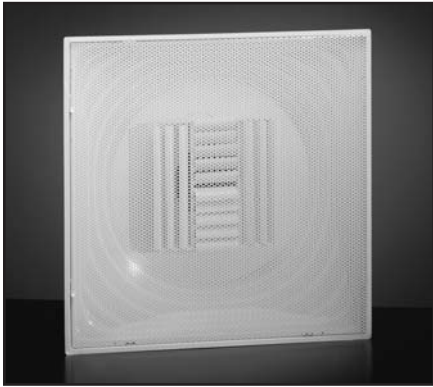
RENP Available Size
20" x 20", overall 23 3/4" x 23 3/4"



See page 54 for fiberglass specifications.



# T-Bar Perforated Supply/Return



**CBPS Curved-Blade Perforated Supply**

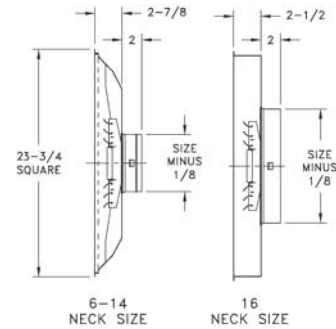


**CBPR Curved-Blade Perforated Return**

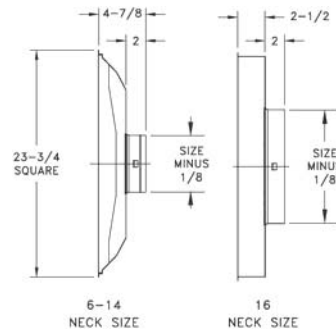
## CBPS/CBPR Steel Curved-Blade Perforated Supply/Return

- Steel construction
- Removable hinged face allows for easy access to air pattern control core
- Face can be removed for cleaning
- Individually adjustable pattern deflectors factory-set at 4-way deflection; can be field-adjusted for 1, 2, 3-way air patterns
- Available in 6", 8", 10", 12", 14" and 16" diameter necks
- Unique 2" high collar permits easy flex connections
- Accepts 3800 Series butterfly damper (order separately)
- For 16", use T19
- Bright White finish

<b>CBPS/CBPR Available Size</b>
Overall Size 23 <sup>3</sup> / <sub>4</sub> " x 23 <sup>3</sup> / <sub>4</sub> "



**CBPS**



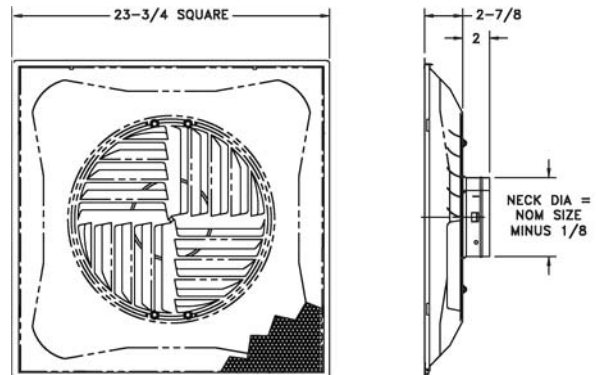
**CBPR**

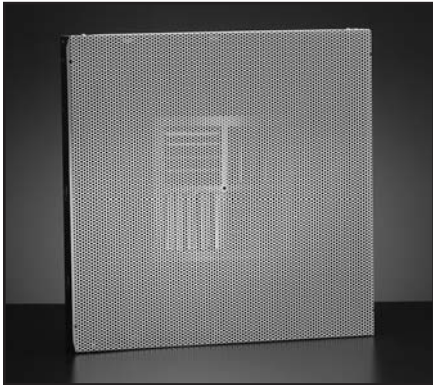


## SCBPS Steel Stamped Curved-Blade Perforated Supply Diffuser

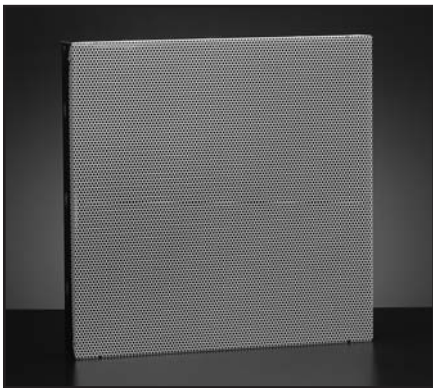
- Steel construction
- Removable hinged face allows for easy access to pattern control core
- Face can be removed for cleaning
- Available in 6", 8", 10", 12", and 14" diameter necks
- Unique 2" high collar permits easy flex connections
- Accepts 3800 Series butterfly damper (order separately)
- Bright White finish

<b>SCBPS Available Size</b>
Overall Size 23 <sup>3</sup> / <sub>4</sub> " x 23 <sup>3</sup> / <sub>4</sub> "





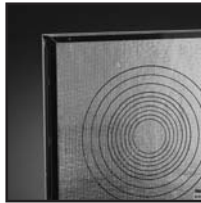
FBCS Flat Back Perforated Supply



FBR Flat Back Return

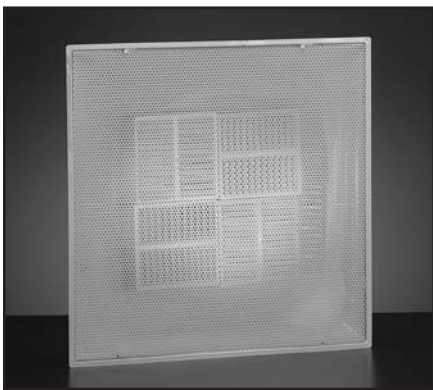
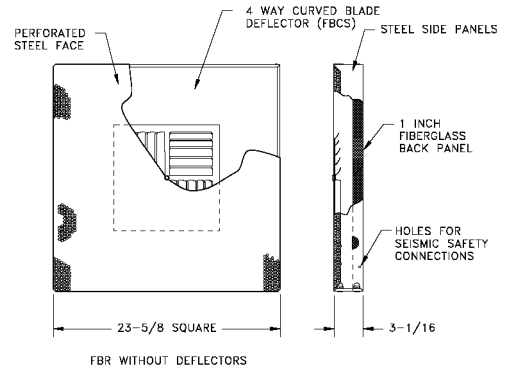
## FBCS/FBR Steel Flat Back Perforated Supply/Return Diffuser

- Supply diffuser with 4-way deflector
- Return without deflector
- 1" thick fiberglass back with foil vapor barrier
- Back with preprinted template accepts 6" to 18" spin collar or unique tab collar (6400 series 6"-14"), 5400 6"-18" with 5400PP
- Bright White finish



Back surface of insulation for FBCS/FBR

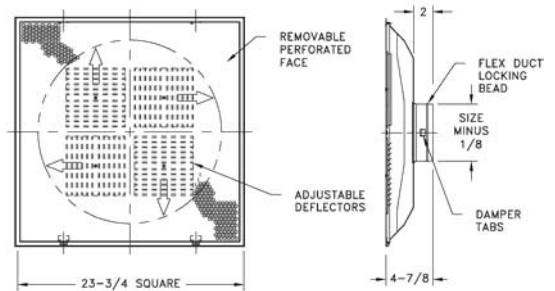
<b>FBCS/FBR Available Size</b>
Overall Size 23 <sup>3</sup> / <sub>4</sub> " x 23 <sup>3</sup> / <sub>4</sub> "
Engineering Data not available



## SBP Steel Shallow Back Perforated Supply

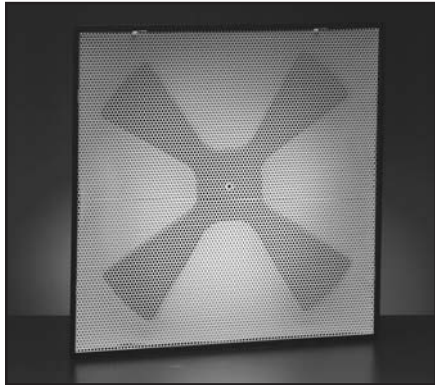
- Steel construction
- Available in 6" to 14" collar sizes
- Face-mounted, adjustable deflectors
- Removable perforated face
- Hinged/latched face for easy access to deflector and damper
- Bright White finish

<b>SBP Available Size</b>
Overall Size 23 <sup>3</sup> / <sub>4</sub> " x 23 <sup>3</sup> / <sub>4</sub> "

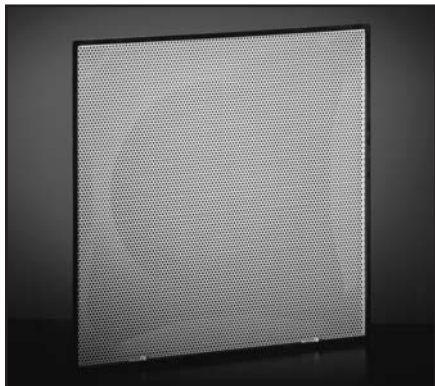




# T-Bar Perforated Supply/Return



**RFPS Removable Face Perforated Supply**  
U.S. Pat. No. 4815934

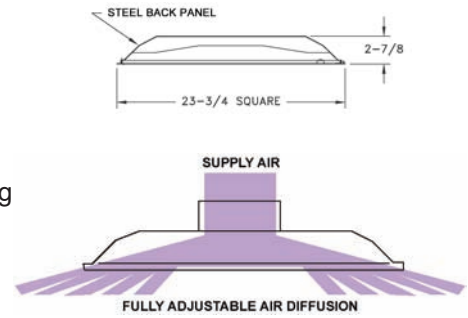


**RFPR Removable Face Perforated Return**

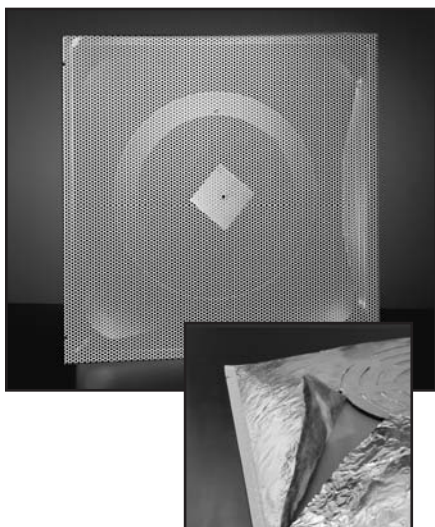
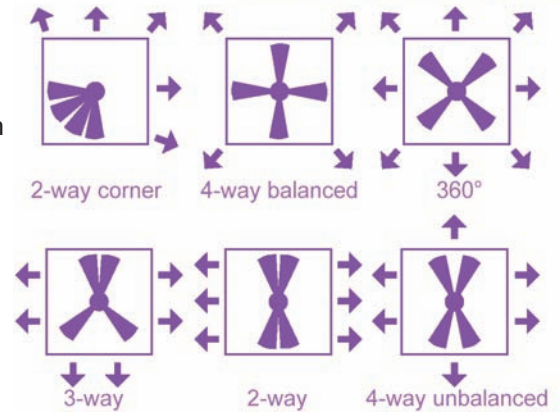
## RFPS/RFPR Steel Removable Face Perforated Supply/Return

- Steel construction
  - Removable hinged face for easy access to deflectors
  - Face can be removed for cleaning
  - Patented adjustable deflectors provide various directional patterns
  - Formed steel black back panel
  - Accepts 6" through 12" round snap in collar (5400 Series) – order separately
  - For 14", order as RFPS14
  - Utilizes butterfly damper in sizes 6" to 14" (3800 Series) inserted in collar
  - Damper adjusted through diffuser face to allow proper air balancing
  - Bright White finish
- 14" RFPR not available**

<b>RFPS/RFPR Available Size</b>
Overall Size 23 <sup>3</sup> / <sub>4</sub> " x 23 <sup>3</sup> / <sub>4</sub> "



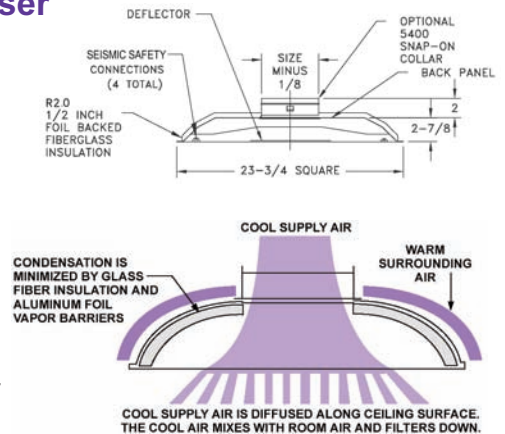
**Pattern Selection:** An almost infinite number of pattern selections are possible.

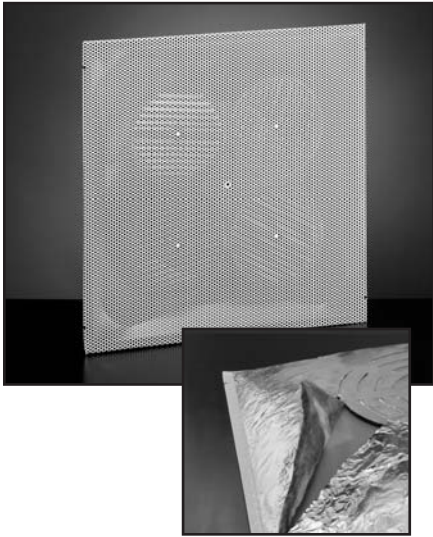


## PDS Steel Perforated Supply Diffuser (with fixed deflector)

- Perforated steel face
- Formed steel black back panel
- Fiberglass insulation blanket with foil vapor barrier to minimize condensation
- Insulation prescored to accommodate collar size desired
- Accepts unique snap-in collar (5400 Series) 6" to 12" – order separately
- Available in 14" fixed collar (PDS14)
- Utilizes butterfly damper (3800 Series) inserted in collar
- Damper adjusted thru diffuser face to allow proper air balancing
- Bright White finish

<b>PDS Available Size</b>
Overall Size 23 <sup>3</sup> / <sub>4</sub> " x 23 <sup>3</sup> / <sub>4</sub> "





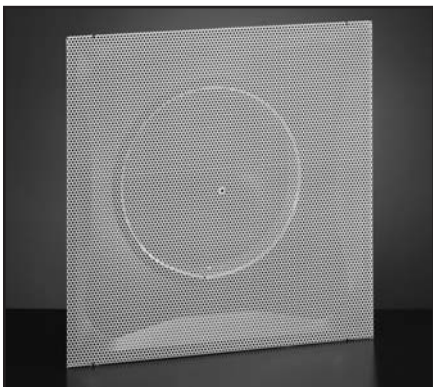
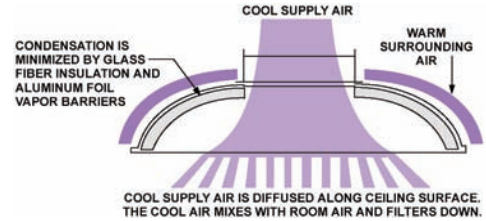
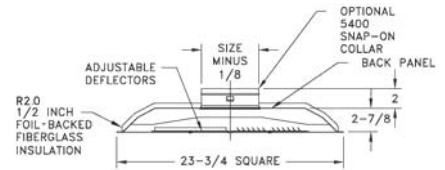
**PDSD  
Steel**

<b>PDSD Available Size</b>
Overall Size 23 <sup>3</sup> / <sub>4</sub> " x 23 <sup>3</sup> / <sub>4</sub> "

**Perforated Diffuser Supply**

(with adjustable deflector)

- Perforated steel face
- Face adjustable deflectors
- Formed steel black back panel
- Fiberglass insulation blanket with foil vapor barrier to minimize condensation
- Insulation prescored to accommodate collar size desired
- Accepts unique snap-in collar (5400 Series) 6" to 12" – order separately
- Available in 14" fixed collar (PDSD14)
- Utilizes butterfly damper (3800 Series) inserted in collar
- Damper adjusted through diffuser face to allow proper air balancing
- Bright White finish

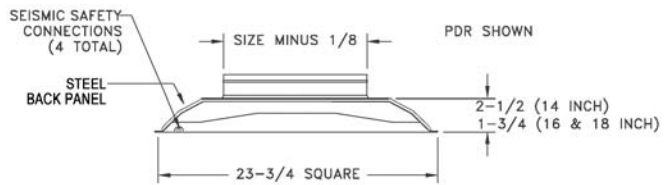


**PDR  
Steel**

<b>PDR Available Size</b>
Overall Size 23 <sup>3</sup> / <sub>4</sub> " x 23 <sup>3</sup> / <sub>4</sub> "

**Perforated Return Grille**

- 51% net free area
- Available with 14", 16", or 18" fixed collars
- Formed steel black back panel
- White finish



**PD  
Steel**

**Perforated Return Face Only–No Back**

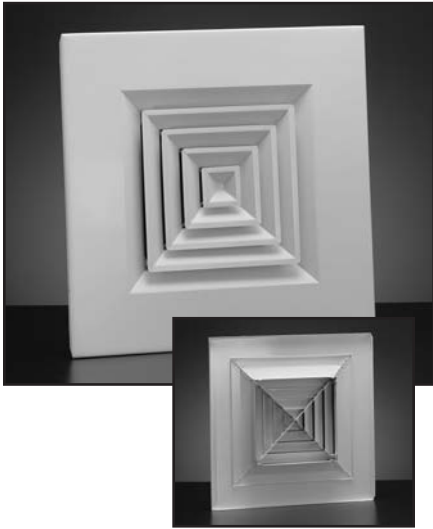
- Face only return for plenum ceilings
- Available in 24" x 12", 24" x 24" and 48" x 24" sizes
- White finish

**PDF  
Steel**

**Perforated Return Face with Frame–No Back**

- Perforated face with frame for duct connection
- Available in 24" x 12", 24" x 24" and 48" x 24" sizes
- Neck size = Listed Size minus 2"
- White finish

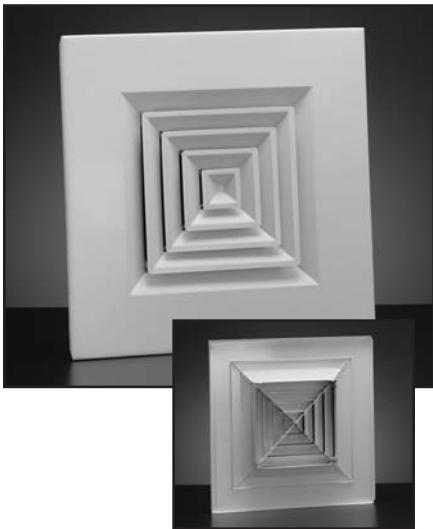
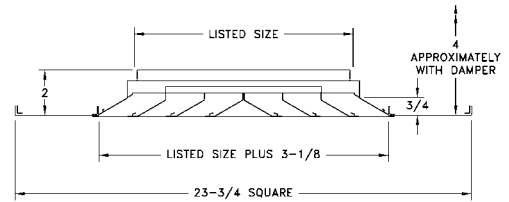
# T-Bar Directional/Modular Diffuser



## ART Aluminum Square and Rectangular T-Bar Diffusers

- Aluminum construction
- Available in one, two, three and four-way deflections
- Removable core
- Bright White or Satin Anodized finish

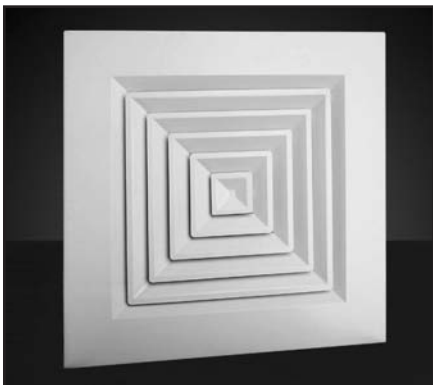
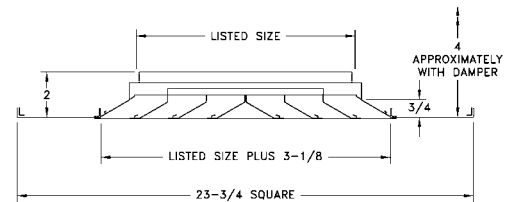
ART Available Sizes
6" x 6", 9" x 9", 12" x 12", 15" x 15", 21" x 21"
<b>Note:</b> For 18" x 18" neck, order ARE 18" x 18".



## SRT Steel Square and Rectangular T-Bar Diffusers

- Steel construction
- Available in one, two, three and four-way deflections
- Removable core
- Bright White finish

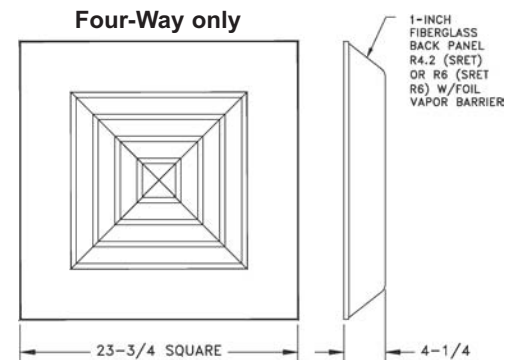
SRT Available Sizes
6" x 6", 9" x 9", 12" x 12", 15" x 15"
<b>Note:</b> For 18" x 18" neck, order SRE 18" x 18".



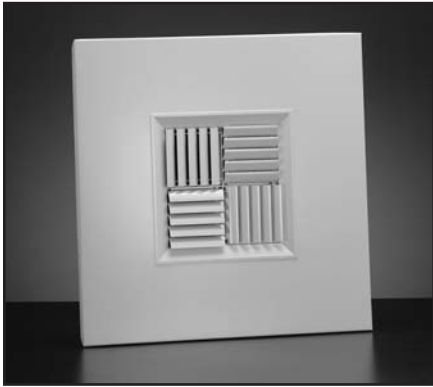
## SRET/SRET R6 Steel Square and Rectangular T-Bar Diffusers

- Steel construction
- Standard SRET features R4.2 molded fiberglass back (R6 available with Model SRET R6)
- Accepts 6" to 14" unique tab collar (6400 series) or 6" to 18" unique snap-in collar (5400 and 5400PP series; 16" and 18" only for R4.2); also accepts standard spin-in collar
- 15" by 15" removable core
- Bright White finish

SRET Available Size
overall size 23 <sup>3</sup> / <sub>4</sub> " x 23 <sup>3</sup> / <sub>4</sub> "



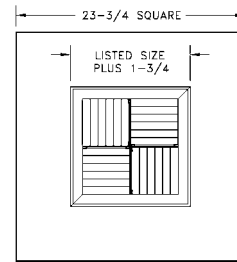
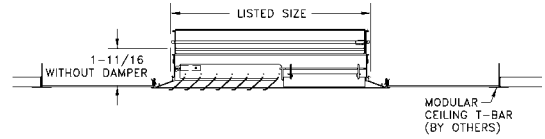
See page 54 for fiberglass specifications.



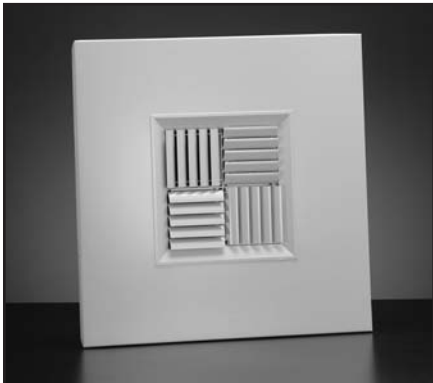
## MCDST Aluminum Modular Core Diffuser

- Extruded aluminum diffuser in aluminum panel
- Modular cores provide one, two, three, and four-way air patterns
- Removable modules provide easy access to duct-mounted damper
- Available in 6" to 20"
- Available as MCDSTR with square-to-round transition attached
- Bright White finish

MCDST/MCDSTR Available Sizes
6" x 6", 8" x 8", 10" x 10", 12" x 12", 14" x 14", 16" x 16", 18" x 18", 20" x 20"



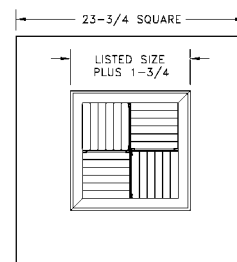
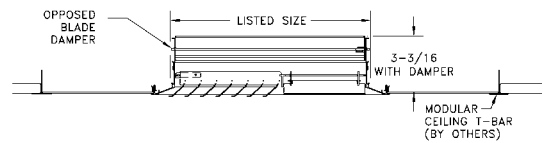
MCDSTR



## MCDSDT Aluminum Modular Core Diffuser with Damper

- Extruded aluminum diffuser in aluminum panel
- Modular cores provide one, two, three, and four-way air patterns
- Removable modules provide easy access to damper
- Aluminum opposed-blade damper
- Available in 6" to 20"
- Available as MCDSDTSR with square-to-round transition attached
- Bright White finish

MCDSDT/MCDSDTSR Available Sizes
6" x 6", 8" x 8", 10" x 10", 12" x 12", 14" x 14", 16" x 16", 18" x 18", 20" x 20"

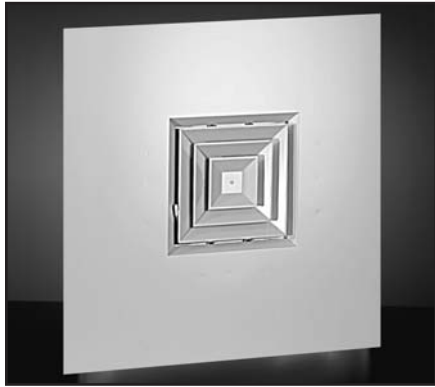


MCDSDT



MCDSDTSR

# T-Bar Directional/Modular Diffuser

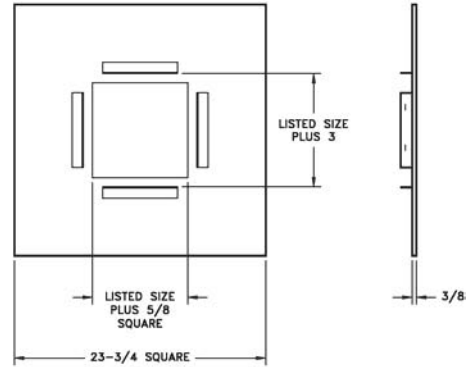


**A504MS/A504OB**  
Four-way deflection

## A500P Steel T-Bar Panel for A500 Series Diffusers

- Adapts A500 diffuser to T-Bar installation
- Diffuser snaps in behind panel for clean appearance
- Steel panel
- Diffuser must be ordered separately
- Bright White finish
- Diffuser sizes 6"x6" to 14"x14"

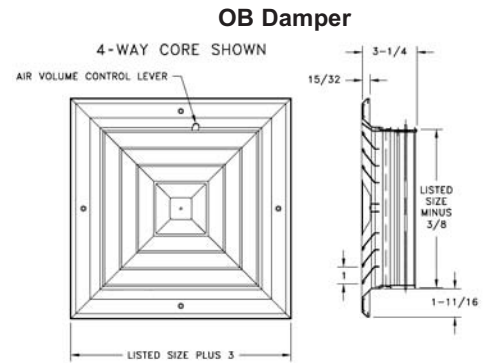
<b>A500P T-Bar Panel Available Size</b>
Opening 6" to 14"
Overall 23 <sup>3</sup> / <sub>4</sub> " x 23 <sup>3</sup> / <sub>4</sub> "



**A501MS/A501OB**  
One-way deflection



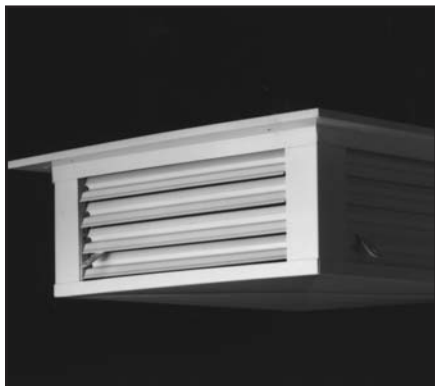
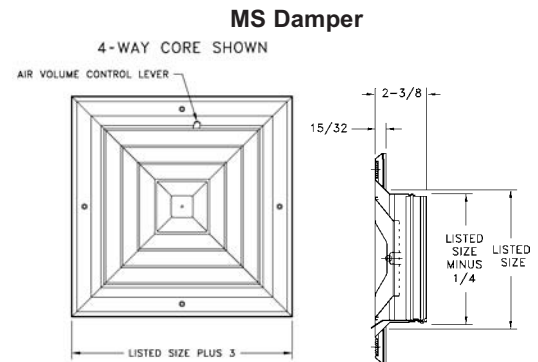
**A502MS/A502OB**  
Two-way deflection



**A503MS/A503OB**  
Three-way deflection



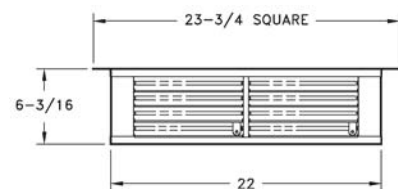
**A505MS/A505OB**  
Two-way corner deflection



## ECBXT Steel 4-Way Ceiling Diffuser Box

- Heavy-duty steel construction
- Adjustable dampers provide directional airflow or closure capabilities
- Bright White finish

<b>ECBXT Available Size</b>
22" x 22", Overall Size 23 <sup>3</sup> / <sub>4</sub> " x 23 <sup>3</sup> / <sub>4</sub> "

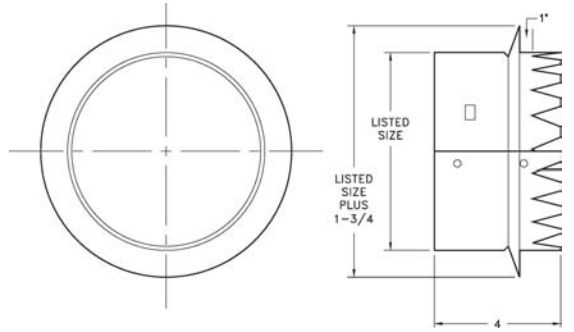




## 6400 Tab Collar

- Galvanized steel construction
- For use with fiberglass-backed ceiling diffusers
- Tabbed for easy installation
- Accepts 3800 Series damper

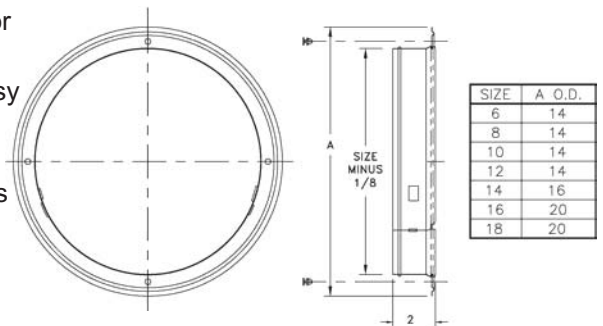
6400 Series Available Sizes				
6"	8"	10"	12"	14"



## 5400 Series Collar Ring\*

- Unique snap-in design for easy installation
- 2" high collar permits easy flex connections
- Bead on collar improves the strength and provides retention for flexible duct connections

5400 Series Available Sizes								
6"	7"	8"	9"	10"	12"	14"*	16"	18"



\*14" collar is mounted to diffuser at factory for steel back panels only.

**Note:** Uses 5400PP (black push pins) with insulated back panels (non-steel).



## 5400PP Push Pins

- Attaches 5400 collar to molded fiberglass back for the following products:

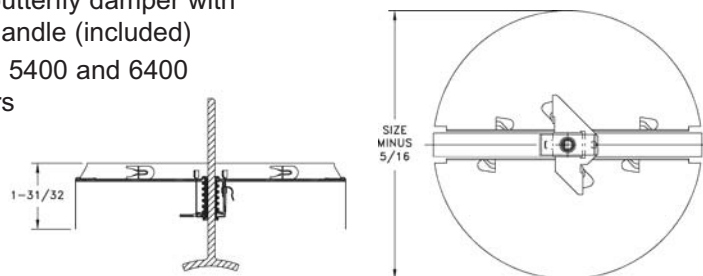
- 659TI            1 1/4" long
- PFTI            1 1/4" diameter head
- REN
- RENPS/RENPS R6
- RE5TI
- 96AFBTI
- REN4
- HVS R6
- SRET/SRET R6



## 3800 Series Damper

- Adjustable butterfly damper with removable handle (included)
- For use with 5400 and 6400 Series collars
- Golden Sand finish

3800 Series Available Sizes							
6"	7"	8"	9"	10"	12"	14"	



# T-Bar Accessories

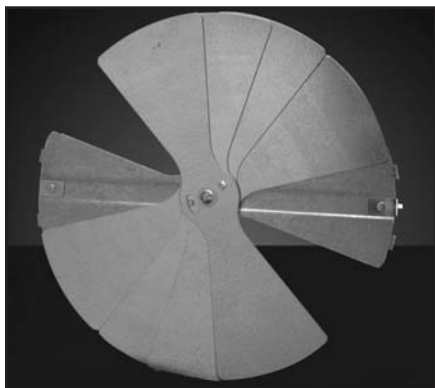
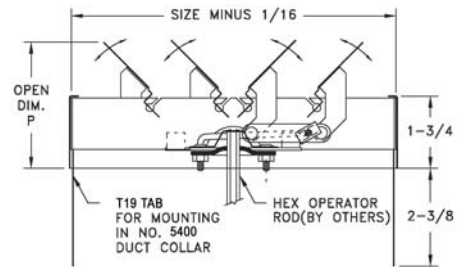


## T19 Series Damper

- Multi-blade damper
- Tabs for easy installation
- For use with 5400 Series collar
- Bright White finish

**Note:**  $\frac{3}{16}$  hex operator by others

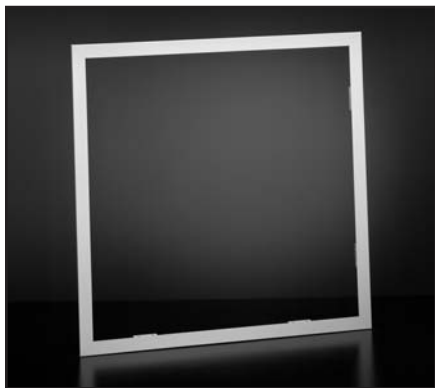
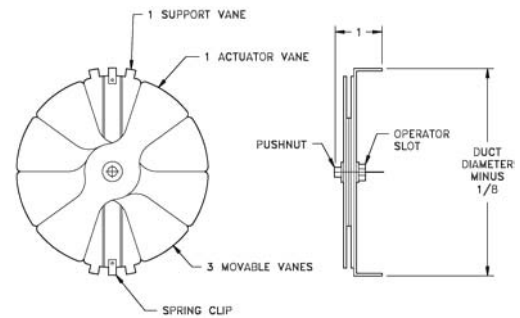
19 Series Available Sizes					
6"	8"	10"	12"	14"	16"



## RD Radial Damper

- Galvanized steel construction
- Face-adjustable
- For use with round neck diffusers
- Mill finish

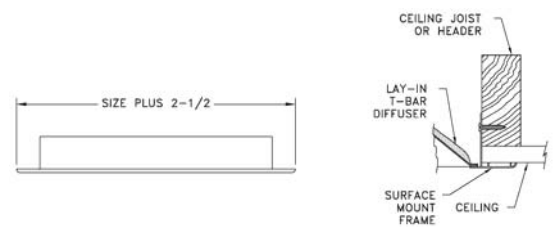
RD Available Sizes				
6"	8"	10"	12"	14"



## SMF Aluminum Surface Mount Frame

- Aluminum construction
- Permits installation of standard T-Bar diffusers in a plaster ceiling
- Accepts standard T-Bar diffusers
- Bright White finish

SMF Available Sizes	
12" x 12"	24" x 12", 24" x 24", 24" x 48"



## SR Steel Square-to-Round Transition

- Galvanized steel construction
- Allows flex duct installation with square neck diffusers
- Round collar accepts 3800 butterfly damper
- Unique 2" high collar

Available Sizes	
Square Size	Round Neck
6" x 6"	6"
9" x 9"	6", 8"
12" x 12"	10", 12"
15" x 15"	12", 14"
18" x 18"	16", 18"
20" x 20"	14", 16", 18"
22" x 22"	14", 16", 18"

