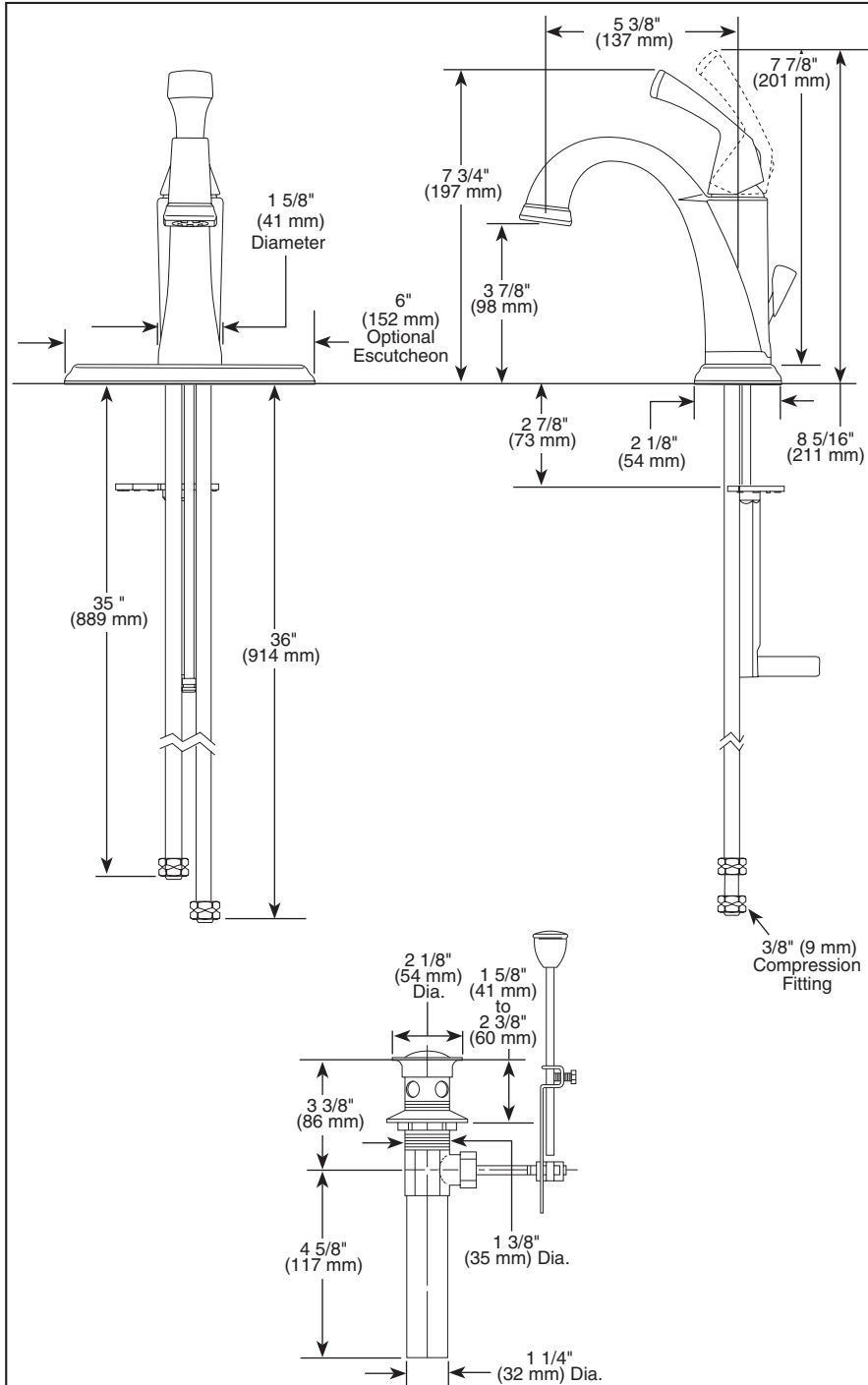


Submitted Model No.: \_\_\_\_\_  
 Specific Features: \_\_\_\_\_



Delta reserves the right (1) to make changes in specifications and materials, and (2) to change or discontinue models, both without notice or obligation. Dimensions are for reference only. See current full-line price book or [www.specselect.com](http://www.specselect.com) for finish options and product availability.

DSP-L-551-DST Rev. A



## LAVATORY FAUCETS

- Dryden™ Collection
- DIAMOND™ Seal Technology
- Single Handle Deck Mount
- 1 or 3 Hole Mount  
(Optional 6" Escutcheon Included)

### STANDARD SPECIFICATIONS:

- Single handle lavatory deck faucet.
- 1 or 3 hole mount (6" escutcheon plate included).
- Solid brass fabricated body.
- 5 3/8" (137 mm) long spout.
- 1 1/8" minimum - 1 1/2" maximum hole size.
- Lever handle. Control mechanism is the diamond embedded ceramic disc cartridge.
- Control handle shall return to neutral position when valve is turned off.
- 3/8" O.D. straight, staggered pex supply tubes 35" (889 mm) and 36" (914 mm) long.
- Maximum 1.5 gpm flowrate @ 60 PSI.
- Models have metal drain with pop-up type fitting with plated flange and stopper.

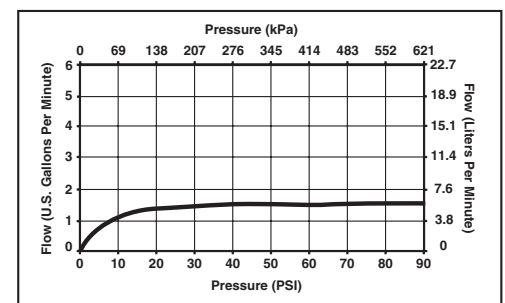
### WARRANTY

- Lifetime Faucet and Finish Limited Warranty to the original consumer purchaser to be free from defects in material and workmanship.
- 5 Year Limited Warranty for usage in all industrial, commercial and business applications.



### COMPLIES WITH:

- ASME A112.18.1 / CSA B125.1
- ASME A112.18.2 / CSA B125.2
- Indicates compliance to ICC/ANSI A117.1
- EPA Water Sense
- Meets 0.25% weighted average lead content regulations.



55 E. 111th Street, Indianapolis, Indiana 46280  
 395 Matheson Blvd. E., Mississauga, ON L4Z 2H2  
 © 2009 Masco Corporation of Indiana