

KOHLER®

ProFlex® 6040

5' Bath

K-1147



Features

- End drain.
- Integral lumbar support and armrests for comfort.
- 60" (1524 mm) x 40" (1016 mm) x 17-5/8" (448 mm)

Material

- Acrylic

Installation

- Drop-in

Recommended Accessories

K- 11677 Bath Drain

K- 24916 Wireless Music Kit



Codes/Standards

CSA B45.5/IAPMO Z124




Greenguard UL 2818 - Gold

KOHLER® One-Year Limited Warranty

See website for detailed warranty information.

Available Color/Finishes

Color tiles intended for reference only.

Color	Code	Description
	0	White
	96	Biscuit
	47	Almond

USA/Canada: 1-800-4KOHLER (1-800-456-4537)

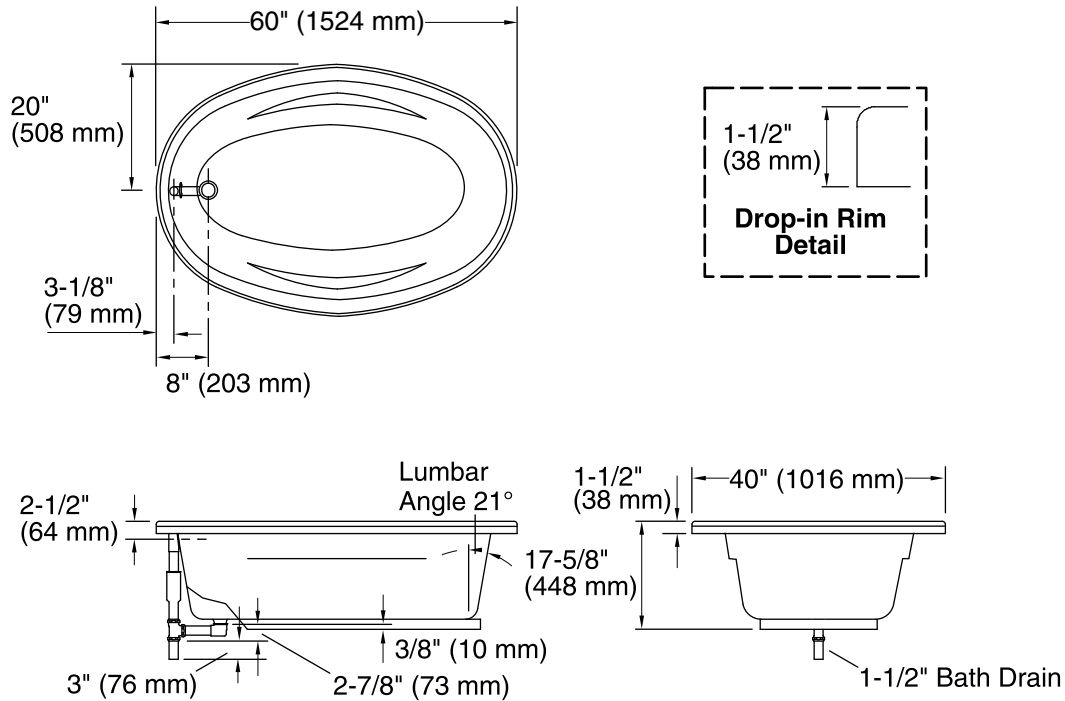
Kohler Co. reserves the right to make revisions without notice to product specifications.

For the most current Specification Sheet, go to www.kohler.com.

3-10-2016 02:55

THE BOLD LOOK
OF **KOHLER**®

No change in measurements if connected with drain illustrated. (K-11677)



Technical Information

All product dimensions are nominal.

Installation:	Drop-in
Drain location:	End
Basin area, bottom:	46" x 19" (1168 mm x 483 mm)
Basin area, top:	55" x 29" (1397 mm x 737 mm)
Weight:	46 lbs (20.9 kg)
Minimum floor load:	31 lbs/ft ² (151.4 kg/m ²)
Water depth:	14" (356 mm)
Water capacity:	54 gal (204.4 L)
Template:	Drop-in, 114859-7, required, included
Minimum flat for door:	0" (0 mm)

Notes

Measure your actual product for rough-in details.

Install this product according to the installation instructions.

The hot water supply should be 70% of the capacity of the bath or greater. Installations will vary.