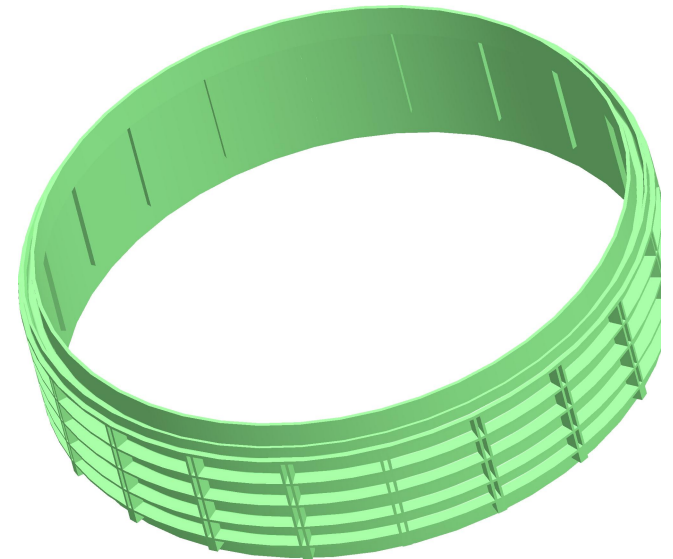
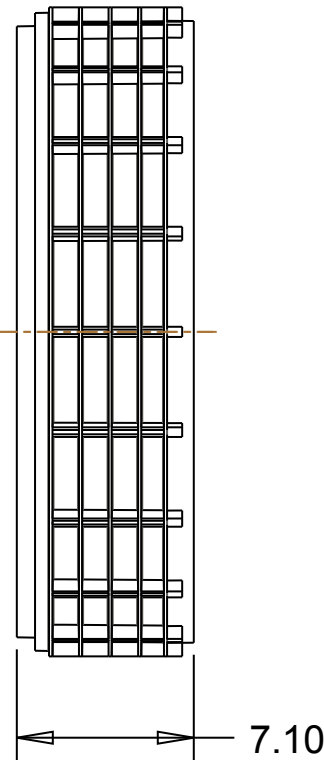
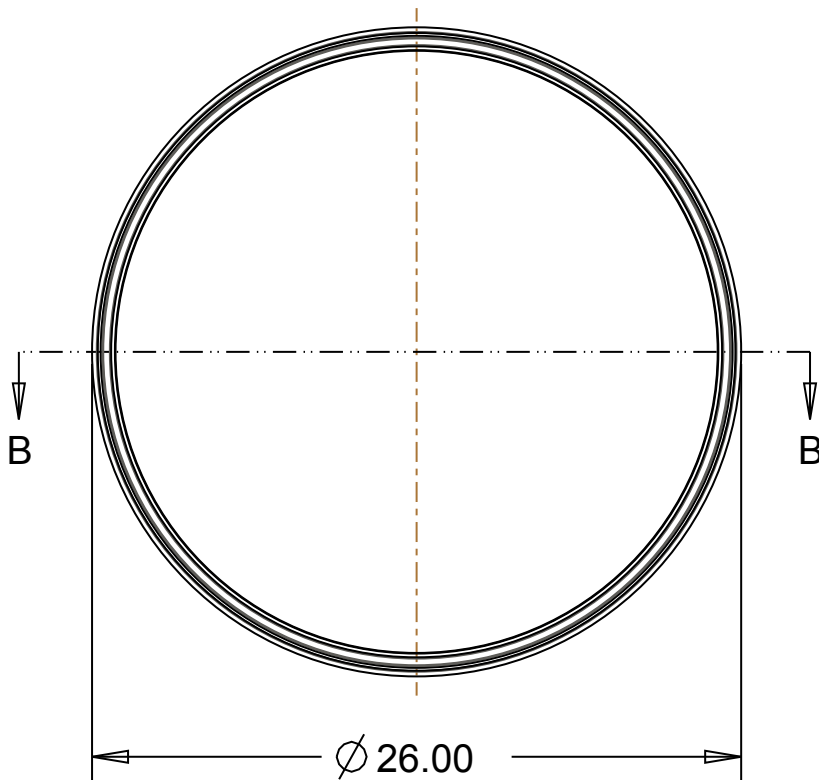
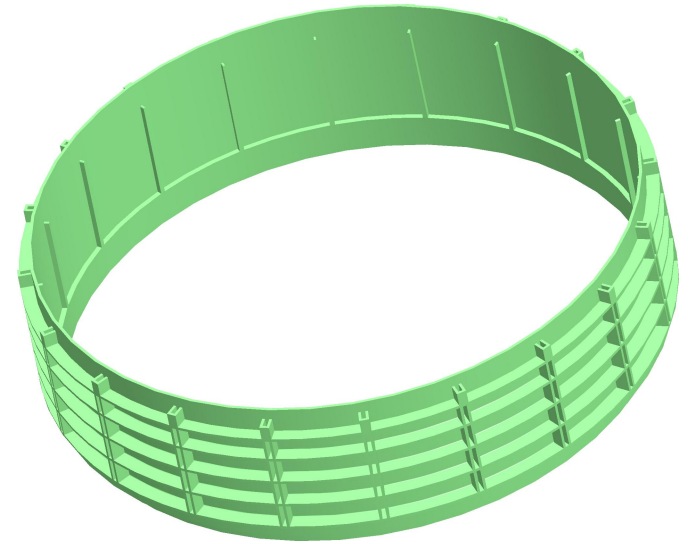


SECTION B-B



Material: Copolymer Polypropylene  
Color: Green



**Drainage and Septic Products**

Tuf-Tite, Inc.  
1200 Flex Court  
Lake Zurich, Illinois 60047

TELEPHONE: 847.550.1011  
TOLL FREE: 800.382.7009  
FAX: 847.550.8004

PART NAME: 24" RISER

PART #: 24- RIS - GREEN