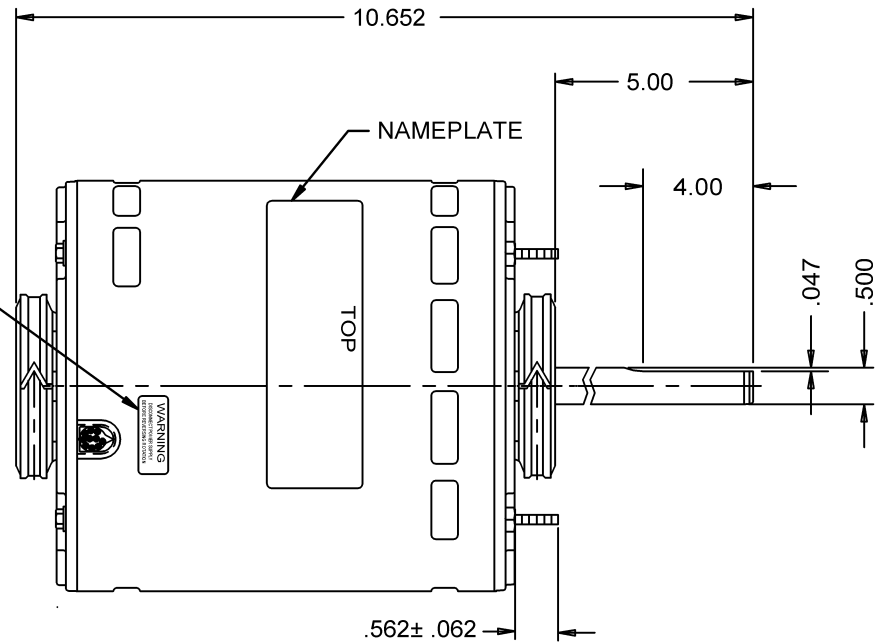
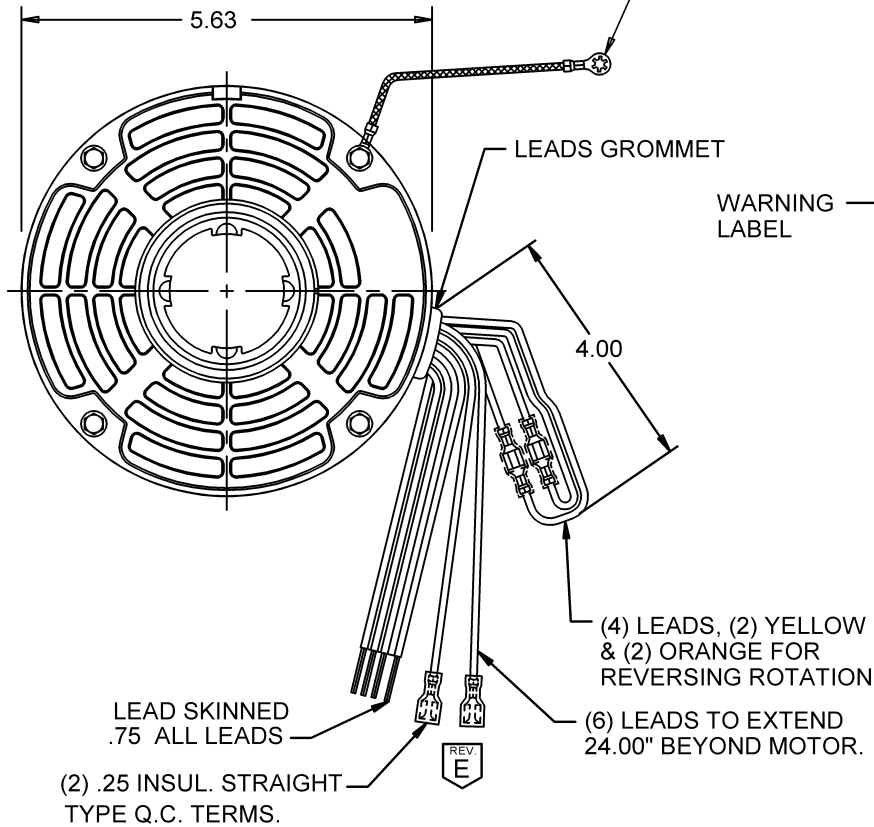
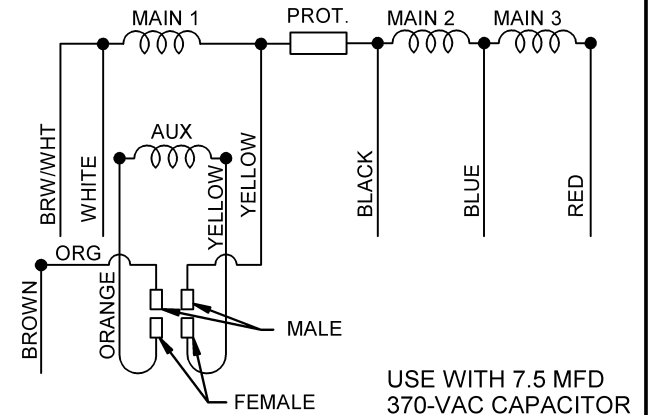


#16 GREEN GROUND LEAD TO BE 12.00 BETWEEN CENTERS OF TERMS. TERM. TO FIT #10 SCREW.



CONNECTION SHOWN IS FOR C.C.W. LE. ROTATION TO REVERSE ROTATION, INTERCHANGE ORANGE AND YELLOW LEADS.

COLOR CODE  
 WHITE-COMMON  
 BLACK-HIGH  
 BLUE-MEDIUM  
 RED-LOW  
 BROWN-CAPACITOR



NIDEC MOTOR CORPORATION 28-May-13

MODEL	REF	CUSTOMER	HP	VOLTS	AMPS	HZ	RPM	ROTATION	CUSTOMER PN
K55HXWML-1257	A30151-X3	WHOLESALE-HAC	1/3	208-230	1.9	60	1075/ 3 SPD	CCW LEAD END REV	1972

SHEET NUMBER	REV	REVISION RECORD FOR:	ITEM NO.
1 OF 1	E	STRAIGHT TERMINALS ON BRN LEADS WAS WITHOUT INSULATION.	C7693-00
REVISION DATE			
29-MAY-13			

INFORMATION DISCLOSED ON THIS DOCUMENT IS CONSIDERED PROPRIETARY AND SHALL NOT BE REPRODUCED OR DISCLOSED WITHOUT WRITTEN CONSENT OF NIDEC MOTOR CORPORATION

**NIDEC MOTOR CORPORATION**

ALL DIMENSIONS ARE FOR REFERENCE ONLY UNLESS TOLERANCE IS GIVEN

ISSUED BY	REVIEWED BY	ENGINEER APPROVED	TITLE	CODE	ITEM NO.	SIZE
R. GUZMAN	M. LARGENT	B. GAITAN	ASSEMBLED VIEW	V01	781055	A