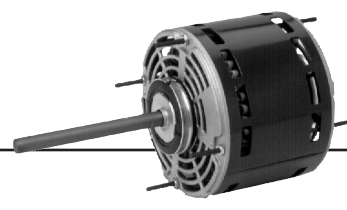


# Permanent Split Capacitor Direct Drive Fan & Blower

## 5.6" Diameter, Open, Air Over

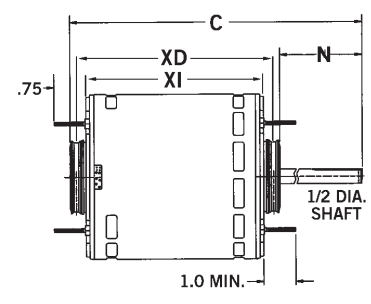


### APPLICATIONS:

Residential and commercial direct drive fans and blowers.

### FEATURES:

- Stud Extensions On Popular Models
- Designed for use with 370V Capacitors
- Class B Insulation
- 24" Leads
- Continuous Duty, Air Over
- Sleeve Bearings Have All Angle Thrust System
- Reversible Rotation
- For Flex Mount, Order Catalog # 44; See Pages 211
- Automatic Reset Thermal Overload Protector
- Connection and Capacitor Information Furnished in the Nameplate Data
- 2.5" Dia. Hub Rings Included
- **Discount Symbol: DS-3HAC**



### Hub Ring Mount (2.5") except as noted, Without Capacitor

HP	RPM/Spd.	Volts	Catalog Number	List Price	Cap. MFD	Amps	Shaft N	Base XD	Shell XI	Total C	Ship Wgt.	Notes	OEM
1/4	1075/3	115	1863	\$112	5.0	3.9	5.0	4.9	4.3	10.4	12		
	1625/3	115	1690	\$214	10.0	2.7	6.0	4.7	4.3	10.4	13		
	1075/3	208-230	1971	\$114	5.0	1.8	5.0	4.9	4.3	10.4	11		
	1075/3	277	600	\$236	4.0	1.6	5.0	5.1	4.6	10.7	14	3	
1/3	1075/3	115	1864	\$115	7.5	5.0	5.0	5.1	4.6	10.7	12		
	1625/3	115	1692	\$220	15.0	3.7	5.0	5.1	4.6	10.7	13		
	1075/4	115	1410	\$245	7.5	5.3	2.5	5.5	4.8	8.4	16		CA
	1075/3	208-230	1972	\$118	5.0	2.4	5.0	4.9	4.3	10.4	13		
	1075/3	277	601	\$218	4.0	2.2	5.0	5.2	4.7	10.7	14	3	
	1625/3	208-230	1693	\$225	5.0	2.1	5.0	5.1	4.6	10.7	13		
1/2	825/2	208-230	8064	\$249	20.0	4.4	2.5	5.6	6.1	9.0	21	3	LE
	1075/3	115	1865	\$139	10.0	7.4	4.0	6.0	5.4	10.4	19		
	1625/3	115	1694	\$235	15.0	5.5	5.0	5.9	5.3	11.4	17	6	
	1075/3	208-230	1973	\$144	7.5	3.3	5.0	5.9	5.3	11.4	19		
	1075/3	277	602	\$299	6.0	3.4	5.0	5.5	4.9	10.9	16	3	
	1625/3	208-230	1695	\$240	7.5	3.0	5.0	5.9	5.3	11.4	17		
3/4	1625/3	115	1696	\$250	15.0	8.6	5.0	6.1	5.6	11.7	20		
	1625/3	208-230	1697	\$255	10.0	4.0	5.0	6.1	5.6	11.7	18	6	
	1075/3	277	5874	\$219	15	4.1	4.9	6.7	5.6	13.2	19		
	1075/3	115	8904	\$159	15.0	9.1	4.0	6.0	5.4	10.4	19	3	
	1075/3	208-230	8905	\$160	10.0	4.6	4.0	6.0	5.4	10.4	19	3	
	1075/4	115	3340	\$340	7.5	12.1	6.0	4.8	5.3	12.4	18		CA
	1075/4	115	6452	\$221	15.0	11.2	5.0		5.8	10.8	18	3, 7	
1	1075/3	115	8906	\$298	20.0	12.1	5.0	6.6	6.1	12.2	20	2	
	1075/3	208-230	8907	\$301	20.0	5.2	5.0	6.6	6.1	12.2	21	2	
	1625/3	115	1699	\$265	25.0	11.1	6.0	6.4	5.9	12.9	21	4	

CA = Carrier      LE = Lennox

- Note 2      Class B Insulation, Studs Shaft Side Only, Ball Bearings  
 Note 3      No Stud Extension  
 Note 4      36" Leads, 2.25" Dia. Hubs With 2.5" Dia. Kit Included.  
 Note 6      Class A Insulation  
 Note 7      Band Mount

† All non-Emerson Electric Co. marks shown within this document are properties of their other respective owners.