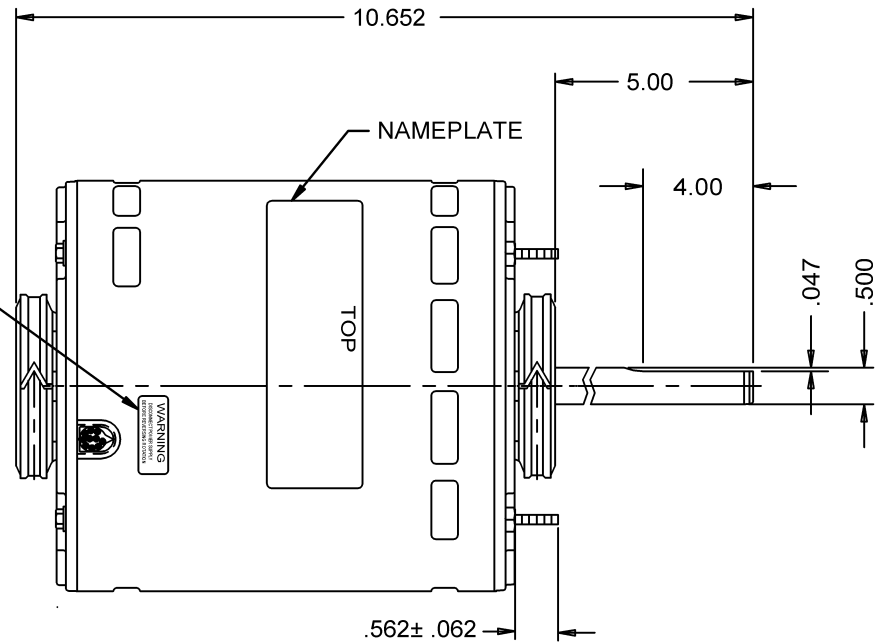
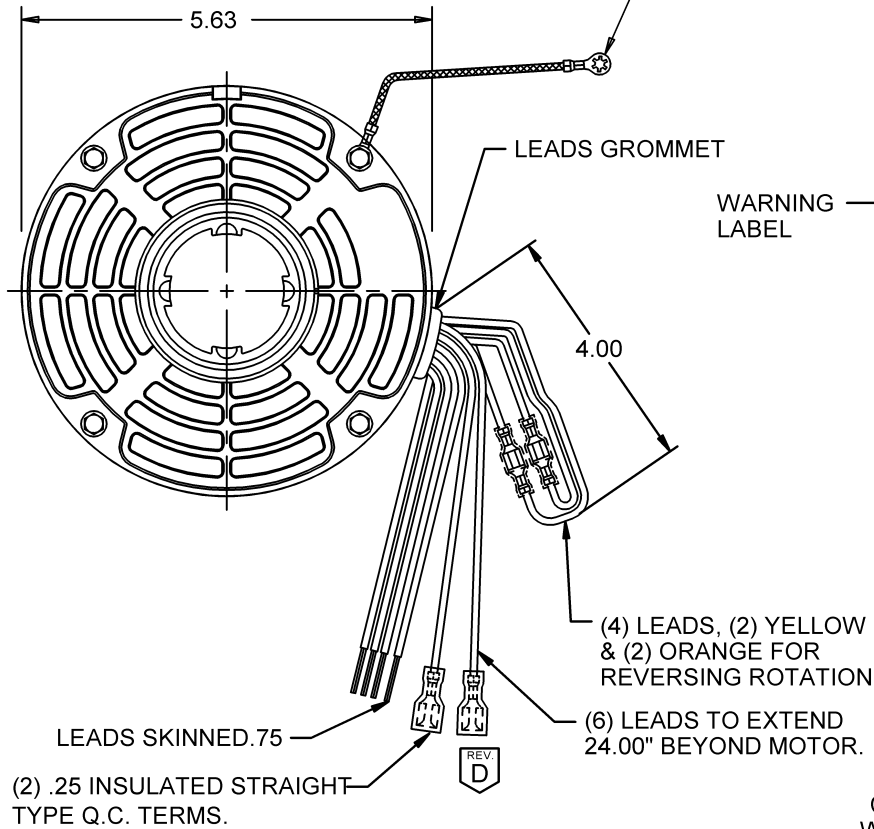
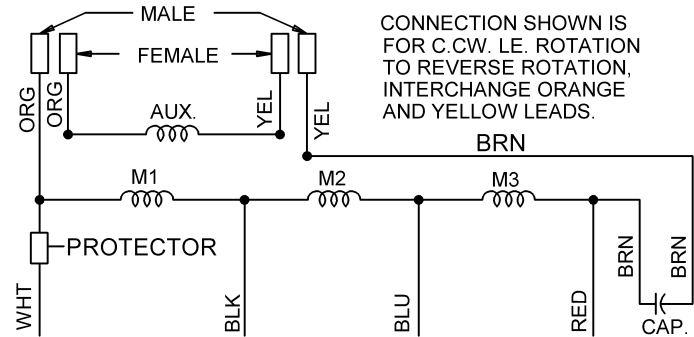


#16 GREEN GROUND LEAD TO BE 12.00 BETWEEN CENTERS OF TERMS. TERM. TO FIT #10 SCREW.



COLOR CODE
 WHITE-COMMON
 BLACK-HIGH
 BLUE-MEDIUM
 RED-LOW
 BROWN-CAPACITOR



USE WITH 7.5 MFD
 370-VAC CAPACITOR

NIDEC MOTOR CORPORATION 28-May-13

MODEL	REF	CUSTOMER	HP	VOLTS	AMPS	HZ	RPM	ROTATION	CUSTOMER PN	
K55HXWVG-1245	A29390	WHOLESALE - HAC	1/3	115	5.0	60	1075/3 SPD	CCW LEAD END REV	1864	
SHEET NUMBER 1 OF 1	REV D	REVISION RECORD FOR: C7693-00			INFORMATION DISCLOSED ON THIS DOCUMENT IS CONSIDERED PROPRIETARY AND SHALL NOT BE REPRODUCED OR DISCLOSED WITHOUT WRITTEN CONSENT OF NIDEC MOTOR CORPORATION				NIDEC MOTOR CORPORATION	
REVISION DATE	STRAIGHT TERMINALS ON BRN LEAS WAS WITHOUT INSULATION.									
28-MAY-13										
ISSUED BY R. GUZMAN	REVIEWED BY M. LARGENT	ENGINEER APPROVED B. GAITAN		TITLE ASSEMBLED VIEW			CODE V01	ITEM NO. 778615	SIZE A	