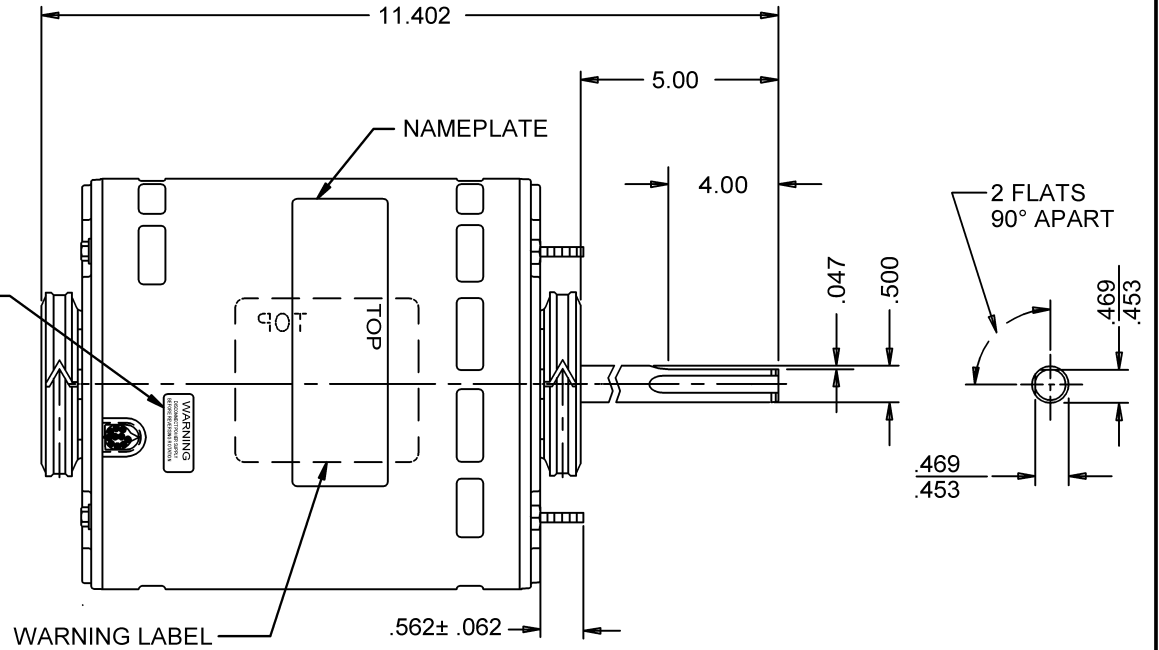
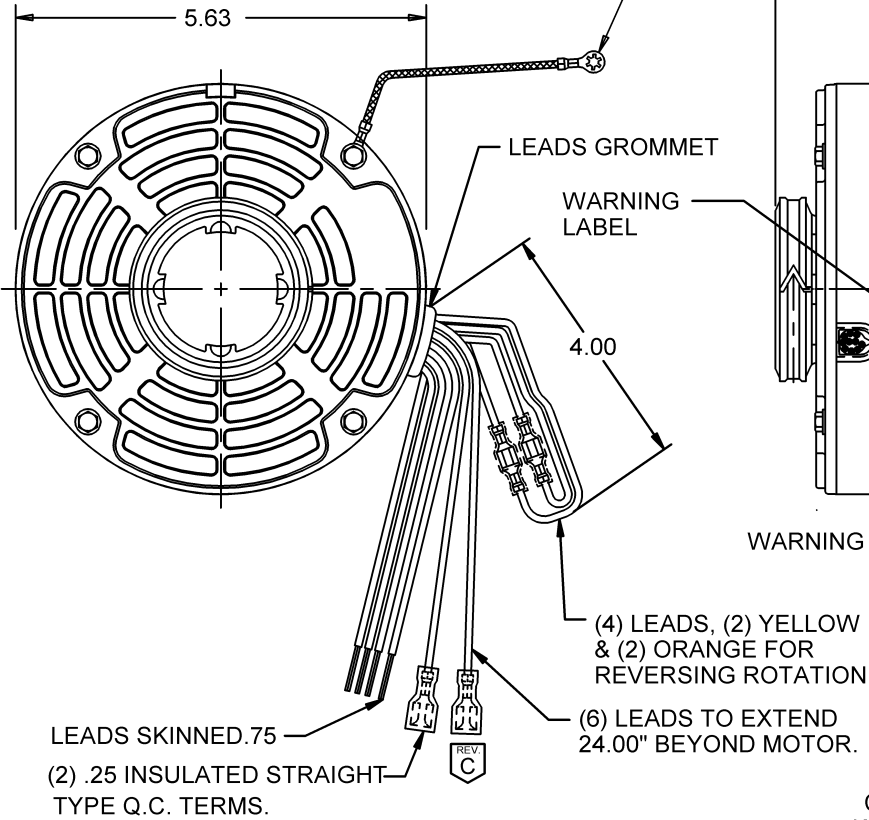
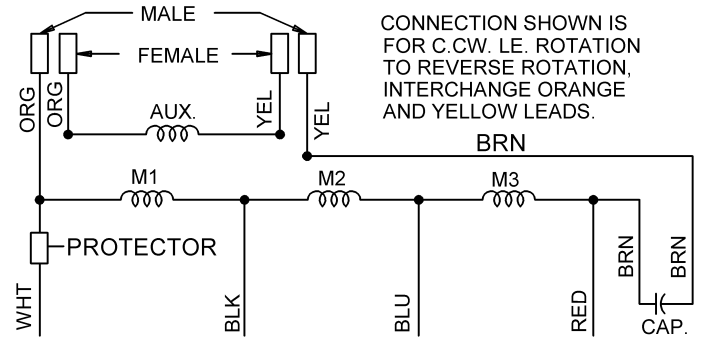


#16 GREEN GROUND LEAD TO BE 12.00 BETWEEN CENTERS OF TERMS. TERM. TO FIT #10 SCREW.



COLOR CODE  
 WHITE-COMMON  
 BLACK-HIGH  
 BLUE-MEDIUM  
 RED-LOW  
 BROWN-CAPACITOR



USE WITH 10 MFD  
 370-VAC CAPACITOR

NIDEC MOTOR CORPORATION 28-May-13

MODEL	REF	CUSTOMER	HP	VOLTS	AMPS	HZ	RPM	ROTATION	CUSTOMER PN
K55HXWRB-1435	A30619	WHOLESALE-HAC	1/2	115	6.5	60	1075/3 SPD	CCW LEAD END, REV.	1865

SHEET NUMBER	REV	REVISION RECORD FOR:	ITEM NO.
1 OF 1	C	STRAIGHT TERMINALS ON BRN LEADS WAS WITHOUT INSULATION.	C7693-00
REVISION DATE			
28-MAY-13			

INFORMATION DISCLOSED ON THIS DOCUMENT IS CONSIDERED PROPRIETARY AND SHALL NOT BE REPRODUCED OR DISCLOSED WITHOUT WRITTEN CONSENT OF NIDEC MOTOR CORPORATION

**NIDEC MOTOR CORPORATION**

ISSUED BY	REVIEWED BY	ENGINEER APPROVED
R. GUZMAN	M. LARGENT	B. GAITAN

TITLE	CODE	ITEM NO.	SIZE
ASSEMBLED VIEW	V01	781374	A