

Installation Instructions

STANDARD LOUVER

For Use With Packaged Terminal Units

Please read these instructions completely before attempting installation.

NOTE: These instructions apply to the Packaged Terminal Unit Standard Louver Installation Kit **ONLY**. Refer to chassis Installation/Operation manual and Wall Sleeve Installation Instructions for additional information.

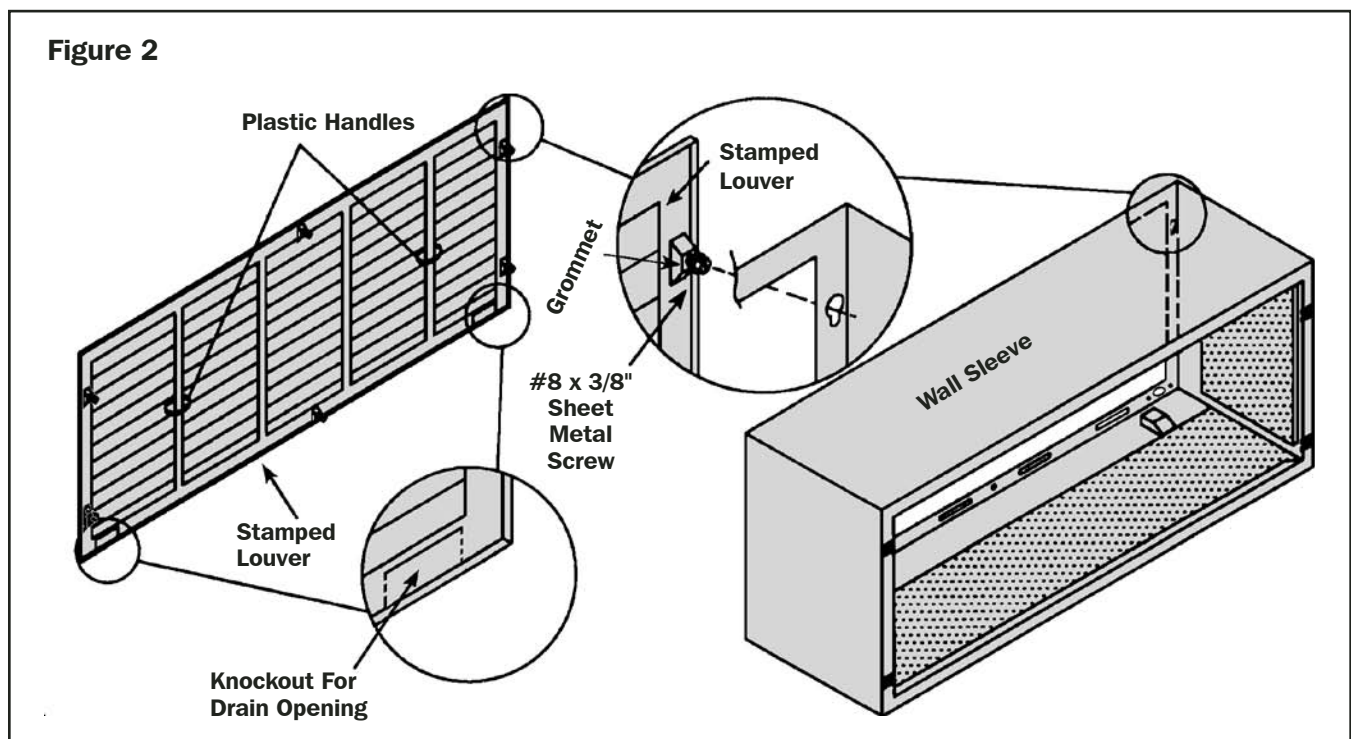
Check box for parts listed in **Figure 1**.

Installation

1. Remove the center support and weatherboard if still installed in the sleeve.
2. Insert six plastic grommets into the louver openings from the outside of the louver as shown in Figure 2.
3. Insert two #8 x 3/8" sheet metal screws (provided) in the top two outside edge plastic grommets, and tighten them half way into the grommets.
4. Grasp the louver by the attached plastic handles. Position it with the condensate drain knockouts facing down. From inside the building, maneuver the louver through the wall sleeve and pull it toward you until the screw heads are inserted into the keyhole slots at the top of the wall sleeve. Tighten the two screws completely.
5. Insert the remaining screws into the remaining holes and tighten securely.

CAUTION: Bodily injury can be caused by louvers falling from a building during installation. It is recommended that a safety line be attached to the louver and to an anchor point inside the building during installation.

Figure 1		Parts List - Standard Louver
Quantity	Description	
1	Stamped Aluminum Louver	
6	Plastic Grommets	
6	#8 x 3/8" Sheet Metal Screws	



Installation Instructions

ARCHITECTURAL LOUVER

For Use With Packaged Terminal Units

Please read these instructions completely before attempting installation.

NOTE: These instructions apply to the Packaged Terminal Unit Architectural Louver Installation Kit ONLY. Refer to chassis Installation/Operation manual and Wall Sleeve Installation Instructions for additional information.

Check box for parts listed in **Figure 1**.

Figure 1		Parts list - Architectural Louver
Quantity		Description
1		Architectural Louver
4		#10-24 x 1" Threaded Metal Studs
4		#10-24 Hex Nuts
4		7/32" I.D. Flat Washers

- From inside the building, grasp the louver at the vertical supports and maneuver the louver through the wall sleeve. Pull towards you until the threaded studs are inserted into the four holes of the wall sleeve.

CAUTION: Bodily injury can be caused by louvers falling from a building during installation. It is recommended that a safety line be attached to the louver and an anchor point inside the building during installation.

Installation

- Screw a threaded metal stud into each of the holes at the four corners of the louver.
- While holding the louver with one hand, start washers and nuts on each of the four studs. Tighten the nuts securely.

