

# UNIVERSAL BRACKETING SYSTEM

571 series

Grid Iron™

Item # Submitted	_____
Job Name	_____
Location	_____
Engineer	_____
Contractor	_____
PO#	_____ TAG _____

## SPECIFICATION

Sioux Chief 571 Series Grid Iron™ shall be used where necessary for bracketing applications. Bracket shall allow fastening on all four sides and both ends. Pipe cradles shall be 1" on center. All four sides of the bracket shall have pilot holes for screws and slots for stainless steel bands or approved cable ties. Bracket shall have holes on each end for 3/8" thread rod for trapeze applications, or 3/8" rebar for slab organizer. Bracket shall be molded of PVC resin, or other V0 flame rated material, prevent electrolysis, and reduce transmission of waterline noise and vibration. Bracket shall fit inside a 2 x 4 wall when fastened to 2" pipe. Bracket and clamps shall be CPVC compatible. Bracket shall be UPC listed.



571-145

## MATERIALS

*bracket:* 100% grey PVC, fire retardant, UL-94 V0 flame rating  
*small clamp:* black nylon 66, UL-94 V2 flame rating, U.V. resistant  
*large clamp:* black nylon 66, UL-94 V2 flame rating, U.V. resistant  
*clamp screw:* zinc-plated steel, Phillips-head, #6 x 1"  
*steel band:* 300 stainless steel  
*band screw:* 410 stainless steel, slotted/hex-head

## SAFE WORKING LOAD\*

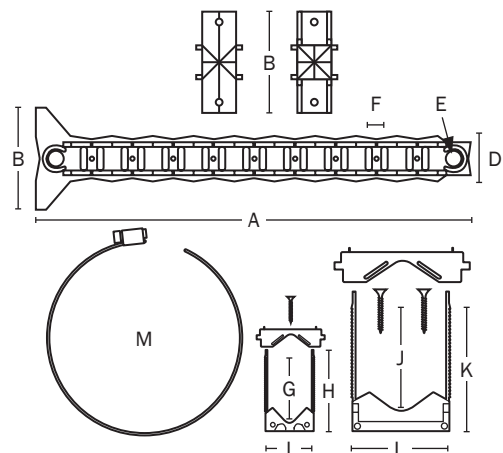
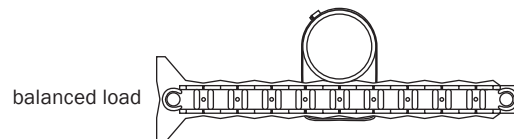
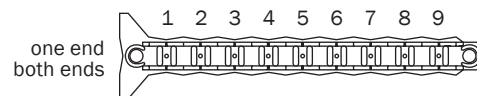
mounting point	1	2	3	4	5	6	7	8	9
one end:	345	195	112	90	80	62	60	55	50 lbs.
both ends:	345	195	112	90	80	90	112	195	345 lbs.

*balanced load:* 184 lbs. total  
*small clamp:* 85 lbs. (at -10°F-130°F)  
*large clamp:* 150 lbs. (at -10°F-130°F)  
*stainless steel band:* 60 in/lbs. ultimate torque

\*One-half failure load at 72°F.

## DIMENSIONS

A: Overall length	10 <sup>5</sup> / <sub>8</sub> "
B: Base height	2 <sup>1</sup> / <sub>2</sub> "
C: Cradle centers	1" on center
D: Bracket height	1 <sup>1</sup> / <sub>8</sub> "
E: End holes	1 <sup>3</sup> / <sub>32</sub> "
F: Stainless steel band slots	9 <sup>1</sup> / <sub>16</sub> "
G: Small clamp capacity	3/8" O.D.-1 <sup>1</sup> / <sub>8</sub> " O.D.
H: Small clamp height	2 <sup>5</sup> / <sub>32</sub> "
I: Small clamp base	1 <sup>9</sup> / <sub>32</sub> "
J: Large clamp capacity	5/8" O.D.-2 <sup>3</sup> / <sub>8</sub> " O.D.
K: Large clamp height	4 <sup>1</sup> / <sub>16</sub> "
L: Large clamp base	2 <sup>9</sup> / <sub>16</sub> "
M: Stainless steel band	1/2" wide x 0.025" thick 5" or 7" max diameter



Create Item Number

**571-A**

e.g. 571-20 = Grid Iron bracket with two small clamps, and one 5" stainless steel band

- |  |   |
|--|---|
| <input type="checkbox"/> A CONFIGURATION   | <input type="checkbox"/> 20 bracket, two small clamps, one 5" stainless steel band        |
| <input type="checkbox"/> _ bracket only  | <input type="checkbox"/> 22 bracket, two small clamps, one snap-lock stainless steel band |
| <input type="checkbox"/> 10 bracket, two small clamps  |   |
| <input type="checkbox"/> 145 bracket, two small clamps, one large clamp, one 5" stainless steel band |   |