



#### Features

- End drain.
- Integral lumbar support and armrests for comfort.
- 60" (1524 mm) x 40" (1016 mm) x 17-5/8" (448 mm)

#### Material

- Acrylic

#### Hydrotherapy

- Single-speed whirlpool offers six fully adjustable hydro-massage jets for water flow and direction.
- Pump with air switch for whirlpool.

#### Installation

- Drop-in

#### Recommended Accessories

- K- 1491 Bath/Whirlpool Pillow
- K- 1601 Bath/Whirlpool Footstop
- K- 7213 27" Cable Bath Drain
- K- 7214 27" Cable Bath Drain
- K- 9696 Whirlpool 6-Jet Trim Kit
- K- 11677 Bath Drain
- K- 24916 Wireless Music Kit



#### Codes/Standards




ASME A112.19.7/CSA B45.10  
CSA B45.5/IAPMO Z124  
UL 1795  
Greenguard UL 2818 - Gold  
CARB P2

#### KOHLER® One-Year Limited Warranty

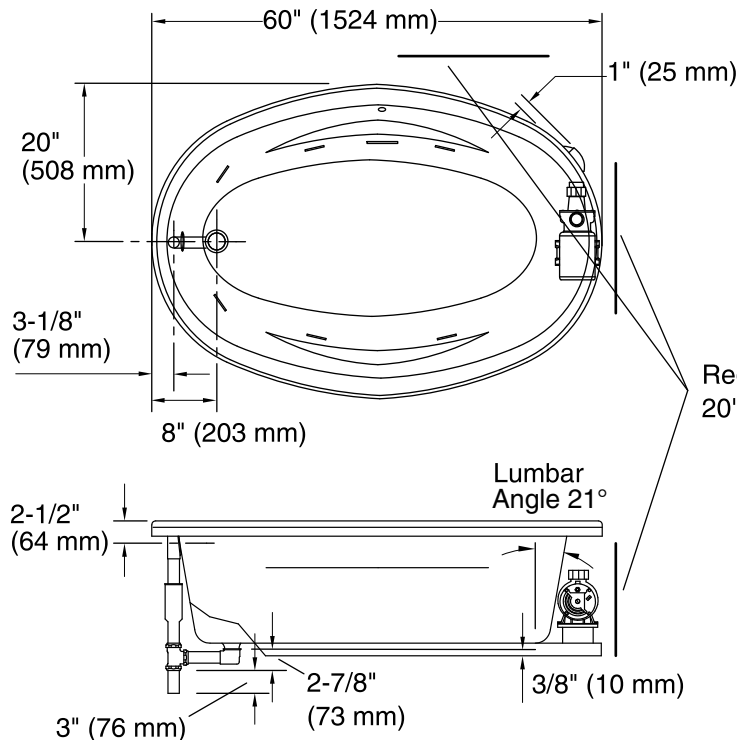
See website for detailed warranty information.

#### Available Color/Finishes

*Color tiles intended for reference only.*

Color	Code	Description
	0	White
	96	Biscuit
	47	Almond

No change in measurements if connected with drain illustrated. (K-11677)



### Required Electrical Service

One dedicated circuit required, protected with Class A Ground-Fault Circuit-Interrupter (GFCI) or Residual Current Device (RCD).

Pump: 120 V, 15 A, 60 Hz

### Technical Information

All product dimensions are nominal.

Installation: Drop-in  
 Drain location: End  
 Basin area, bottom: 46" x 19" (1168 mm x 483 mm)  
 Basin area, top: 55" x 29" (1397 mm x 737 mm)  
 Weight: 56 lbs (25.4 kg)  
 Minimum floor load: 30 lbs/ft² (146.5 kg/m²)  
 Water depth: 14" (356 mm)  
 Water capacity: 54 gal (204.4 L)  
 Template: Drop-in, 114859-7, required, included  
 Electrical component rating: Pump: 120 V, 7.5 A, 60 Hz  
 Pump speed: Single  
 Minimum flat for door: 0" (0 mm)

### Notes

Measure your actual product for rough-in details.

Install this product according to the installation instructions.

The hot water supply should be 70% of the capacity of the bath or greater. Installations will vary.

Provide one grounded electrical outlet within 24" (610 mm) of each component.

The suction line extends 1" (25 mm) beyond the edge of the rim. The pump base extends 1-1/8" (29 mm) beyond the edge of the rim. Modify the framing as needed.