



# GERBER

VITREOUS CHINA  
TOILET  
**21-318**

LAVATORIES

TOILETS

BIDETS / URINALS

CAST IRON



## ULTRA FLUSH® Pressure-Assist Toilet 17" High, Elongated

12" Rough-in

### Features:

- Low Consumption 1.6 gpf (6.0 Lpf)
- Elongated Bowl
- Extra Seat Height
- Pressurized Flushing Action
- Close Coupled Flushometer Tank
- Siphon Jet
- Front Tank Lever
- Optional Right-handed Trip Lever Available (Tank #28-380-97)
- Optional Locking Lid Available (Tank #28-380-LL)
- 2 Bolt Caps
- ADA Compliant

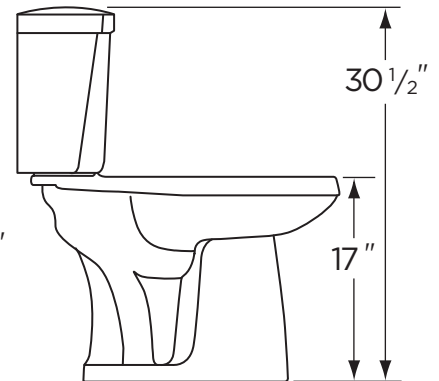
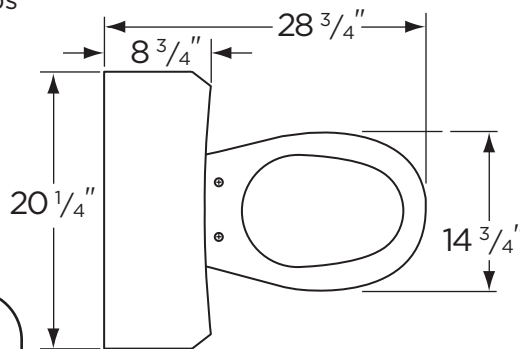


### Dimensions:

- Height ..... 30 1/2"
- Width ..... 20 1/4"
- Depth ..... 28 3/4"
- Rough-in ..... 12"
- Water Surface from Rim .... 4 1/2"
- Trapway (min)..... 2"
- Water Surface..... 12" x 10"
- Water Seal ..... 2 1/2"
- Shipping Weight ..... 94 lbs

**Specifications:** Bowl—#21-377 Elongated Bowl  
Seat not included

Tank—#28-380



THIS FIXTURE QUALIFIES  
ACCORDING TO ASME TEST  
PROCEDURES AS A LOW  
CONSUMPTION WATER CLOSET  
WITH AN AVERAGE CONSUMPTION  
OF 1.6 GAL. OR LESS.



[www.gerberonline.com](http://www.gerberonline.com)

Job Name	
Date	
Model Specified	
Quantity	
Customer	
Contractor	
Architect/engineer	

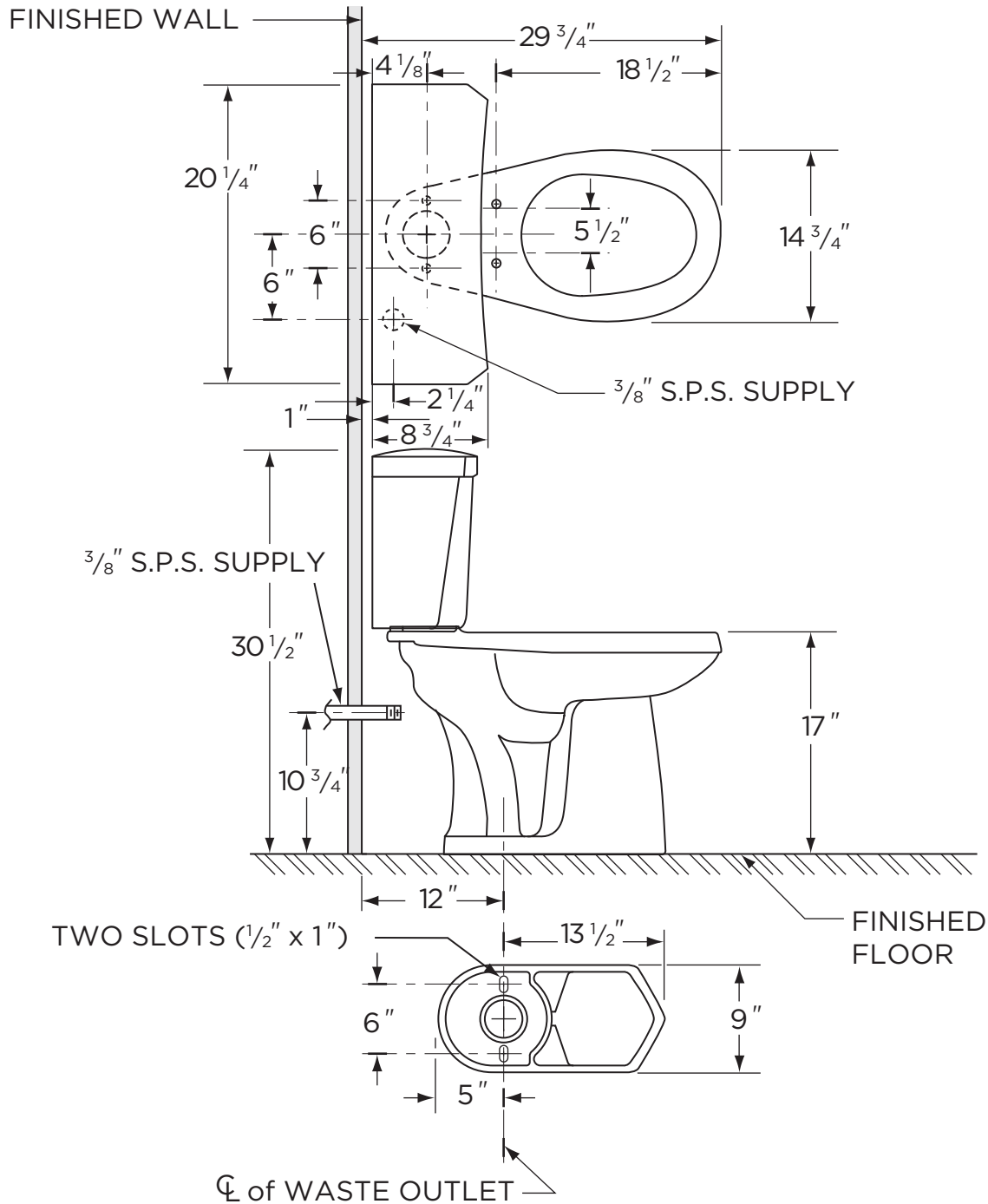


# GERBER

1.6 gpf (6 Lpf) Ultra Flush® TOILET

21-318

17" High Elongated, 12" Rough-in  
(Bowl 21-377 with Tank 28-380)



**NOTES:**

All dimensions are in inches.

Illustrations may not be drawn to scale.

**IMPORTANT:**

Dimensions of fixtures are nominal and may vary within the range of tolerances established by ASME Standard A 112.19.2.

THIS FIXTURE QUALIFIES ACCORDING TO ASME TEST PROCEDURES AS A LOW CONSUMPTION WATER CLOSET WITH AN AVERAGE CONSUMPTION OF 1.6 gpf (6 Lpf) OR LESS.