

# SHOWER PAN DRAIN

## 821 SERIES

### SPECIFICATION

Sioux Chief 821 series shower pan drain shall be used where necessary in drainage systems. Drain shall have a beveled flashing base adapter with peripheral mounting holes for securing to subfloor. Strainer shall meet all load and flow requirements for installations in shower areas. Invertible clamping collar shall fasten to drain body with four screws that thread into brass inserts. Drain body shall have a 2" Sch. 40 hub connection and connect to DWV pipe via solvent weld joint. Designed in accordance with ASME A112.18.2-2005 / CSA B125.2-05.

### MATERIALS

- Strainer:** 430 Stainless steel
- Head adapter:** Gray ABS
- Clamping collar:** Reinforced polypropylene
- Collar bolts:** zinc-plated hex cap screws
- Base adapter:** Gray PVC or black ABS

### STRAINER LOAD RATING

300 lbs. (19 gauge)

### STRAINER FREE AREA

3.25 in<sup>2</sup>

### STRAINER FLOW CAPACITY\*

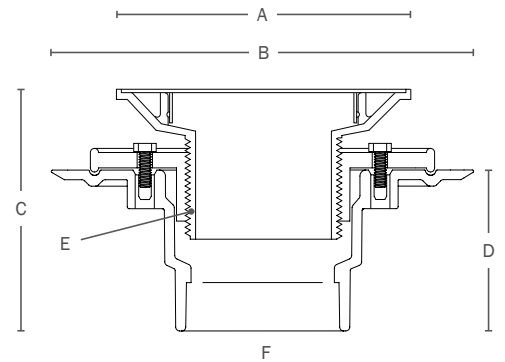
6.0 GPM

### DIMENSIONS

- A:** Top diameter 4<sup>3</sup>/<sub>8</sub>"
- B:** Flange diameter 6<sup>1</sup>/<sub>2</sub>"
- C:** Adjustable height 3<sup>1</sup>/<sub>2</sub>" – 5<sup>1</sup>/<sub>2</sub>"
- D:** Drain body height 2<sup>5</sup>/<sub>8</sub>"
- E:** Head adapter thread 2" MIP
- F:** Connection 2" Sch. 40 hub

\*Observed flow rate under test conditions at 0.375" head.

ITEM # SUBMITTED _____
JOB NAME _____
LOCATION _____
ENGINEER _____
CONTRACTOR _____
PO# _____ TAG _____



### Create Item Number

## 821-ABC

e.g. **821-200P:** Shower drain with screw-on strainer, screw inserts, and PVC Sch. 40 hub connection

#### TEST PLUG A

- T = DoubleDuty test plug included
- \_ = No test plug

#### STRAINER TYPE B

- 2 = Round Screw-on (no inserts)
- 200 = Round Screw-on (brass inserts)
- 270 = Round Snap-in

#### CONNECTION C

- A = ABS Sch. 40 hub connection
- P = PVC Sch. 40 hub connection