



COMMERCIAL REPLACEMENT PARTS LIST

Power Direct Vent PDV (S) Model

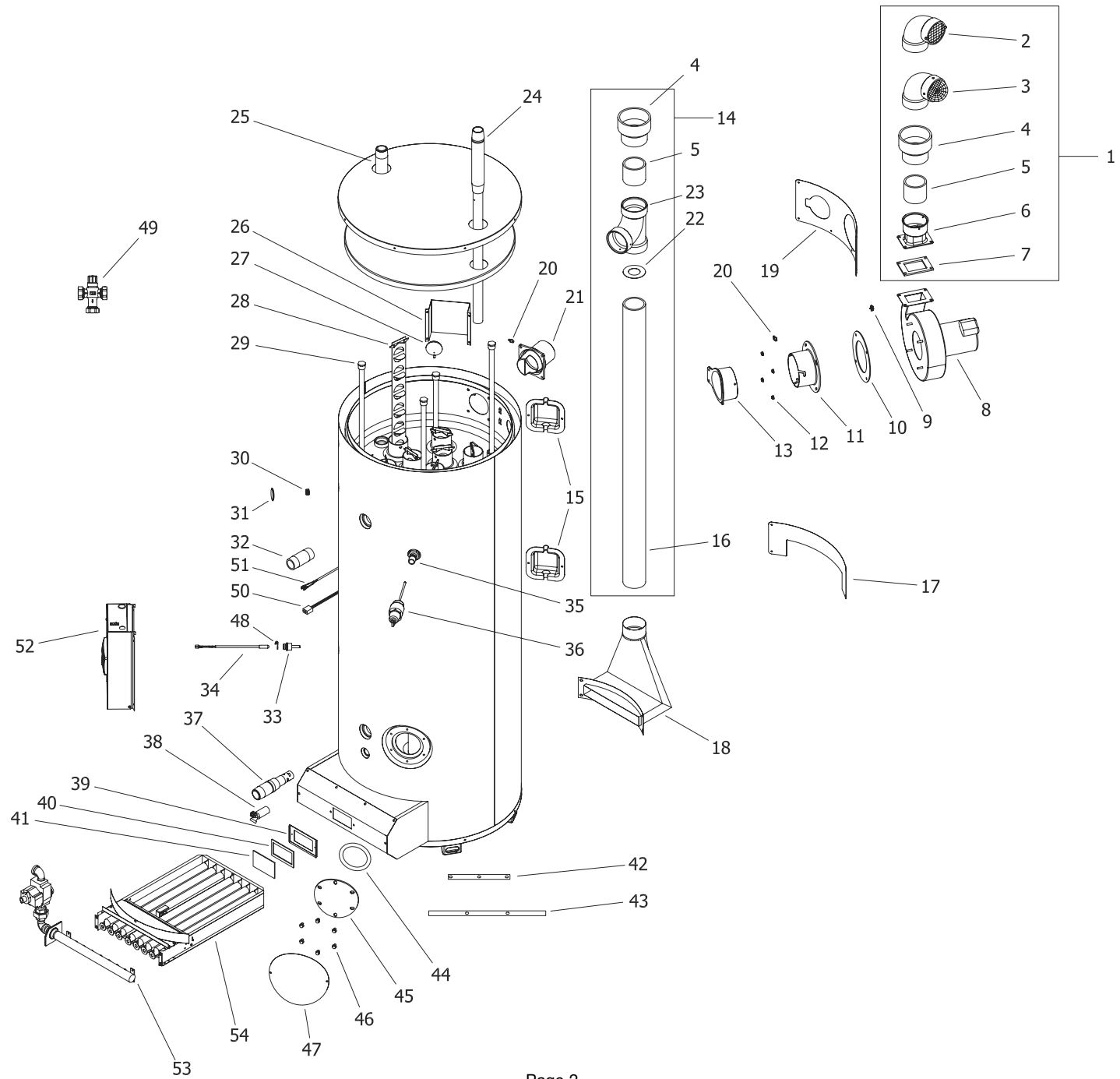


Includes Hydrojet®
Total Performance System

Effective: March, 2009
ECO 7187

**NOTE: BOTH MODEL AND SERIAL
NUMBERS ARE REQUIRED FOR
ORDERING REPLACEMENT PARTS**

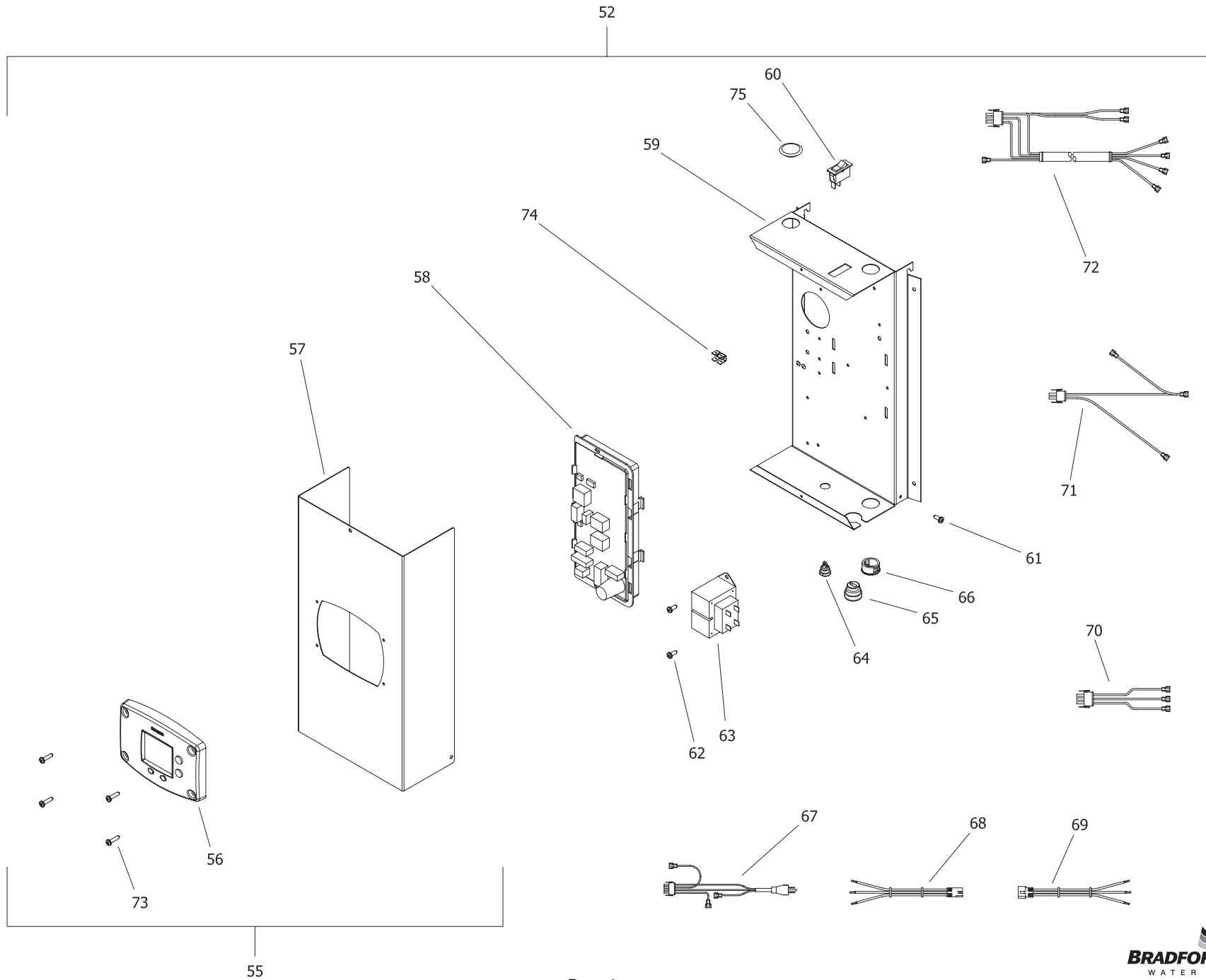
Dimensions and specifications
subject to change without notice.



Item	part description	Model PDV80S150(E)*(N,X)	Model PDV80S200(E)*(N,X)	Model PDV80S250(E)*(N,X)(A)	Model PDV100S150(E)*(N,X)	Model PDV100S200(E)*(N,X)	Model PDV100S250(E)*(N,X)(A)
1	Vent Kit	243-42776-01	243-42776-01	243-42776-02	243-42776-01	243-42776-01	243-42776-02
2	Vent Elbow	239-40579-00	239-40579-00	239-42580-00	239-40579-00	239-40579-00	239-42580-00
3	Intake Terminal	239-42642-01	239-42642-01	239-42642-02	239-42642-01	239-42642-01	239-42642-02
4	Vent Reducer	---	---	239-42581-00	---	---	239-42581-00
5	3" PVC Pipe	---	---	239-40903-00	---	---	239-40903-00
6	Blower Vent Adaptor	239-42434-00	239-42434-00	239-42434-00	239-42434-00	239-42434-00	239-42434-00
7	Blower Receptacle Gasket	239-42479-00	239-42479-00	239-42479-00	239-42479-00	239-42479-00	239-42479-00
8	Blower	239-42371-00	239-42371-00	239-42371-00	239-42371-00	239-42371-00	239-42371-00
9	Temperature Switch	239-43238-03	239-43238-03	239-43238-03	239-43238-03	239-43238-03	239-43238-03
10	Blower Intake Gasket	239-81161-00	239-81161-00	239-81161-00	239-81161-00	239-81161-00	239-81161-00
11	Blower Mounting Flange	239-41525-00	239-41525-00	239-41525-00	239-41525-00	239-41525-00	239-41525-00
12	Nut 1/4-20 Hex	239-43297-00	239-43297-00	239-43297-00	239-43297-00	239-43297-00	239-43297-00
13	Collector to Blower Transition	239-41505-00	239-41505-00	239-41505-00	239-41505-00	239-41505-00	239-41505-00
14	Air Intake Assembly	243-42777-03	243-42777-03	243-42777-04	243-42777-01	243-42777-01	243-42777-02
15	Utility Cover	239-80281-03	239-80281-03	239-80281-03	239-80281-03	239-80281-03	239-80281-03
16	Air Intake Pipe	239-42429-02	239-42429-02	239-42429-02	239-42429-01	239-42429-01	239-42429-01
17	Cover Rear Boot	243-42403-00	243-42403-00	243-42403-00	243-42403-00	243-42403-00	243-42403-00
18	Combustion Box Boot	239-42260-00	239-42260-00	239-42260-00	239-42260-00	239-42260-00	239-42260-00
19	Blower Escutcheon	243-42408-00	243-42408-00	243-42408-00	243-42408-00	243-42408-00	243-42408-00
20	Blower Hose Barb	239-41553-00	239-41553-00	239-41553-00	239-41553-00	239-41553-00	239-41553-00
21	Air Inlet	239-42262-00	239-42262-00	239-42262-00	239-42262-00	239-42262-00	239-42262-00
22	Vent Orifice	243-42297-00	243-42297-00	243-42297-00	243-42297-00	243-42297-00	243-42297-00
23	Air Intake Tee	239-42402-00	239-42402-00	239-42402-00	239-42402-00	239-42402-00	239-42402-00
24	Cold Water Inlet Dip Tube (top)	229-46709-04	229-46709-04	229-46709-04	229-46709-04	229-46709-04	229-46709-04
25	Hot Water Outlet Nipple (top)	229-41573-01	229-41573-01	229-41573-01	229-41573-01	229-41573-01	229-41573-01
26	Cover Pressure Switch	239-41763-00	239-41763-00	239-41763-00	239-41763-00	239-41763-00	239-41763-00
27	Pressure Switch (0ft to 2000ft)	239-44063-05	239-44063-04	239-44063-05	239-44063-05	239-44063-04	239-44063-05
	Pressure Switch (Over 2000ft)	239-44063-05	239-44063-04	239-44063-04	239-44063-05	239-44063-04	239-44063-04
28	Flue Baffle	243-41455-00	243-41455-00	243-41455-00	243-41455-00	243-41455-00	243-41455-00
29	Anode Hex Head Magnesium	224-32758-24	224-32758-24	224-32758-24	224-32758-15	224-32758-15	224-32758-15
	Anode Hex Head Aluminum	224-38508-06	224-38508-06	224-38508-06	224-38508-03	224-38508-03	224-38508-03
30	Pipe plug	239-11638-00	239-11638-00	239-11638-00	239-11638-00	239-11638-00	239-11638-00
31	Hole closure	239-31547-02	239-31547-02	239-31547-02	239-31547-02	239-31547-02	239-31547-02
32	Hot Water Outlet (side)	229-40913-02	229-40913-02	229-40913-02	229-40913-02	229-40913-02	229-40913-02
33	Lower Thermostat Well	233-46558-01	233-46558-01	233-46558-01	233-46558-01	233-46558-01	233-46558-01
34	Wire Harness Lower Sensor	239-46553-01	239-46553-01	239-46553-01	239-46553-01	239-46553-01	239-46553-01
35	T/P nipple	229-32762-02	229-32762-02	239-80982-00	229-32762-02	229-32762-02	229-80982-00
36	T/P valve	230-30246-00	230-30246-00	230-33630-04	230-30246-00	230-30246-00	230-33630-04
37	Cold Water Inlet Nipple (side)	229-44731-00	229-44731-00	229-44731-00	229-44731-00	229-44731-00	229-44731-00
38	Drain Valve	265-42351-02	265-42351-02	265-42351-02	265-42351-02	265-42351-02	265-42351-02
39	Sight Glass Holder	239-42481-00	239-42481-00	239-42481-00	239-42481-00	239-42481-00	239-42481-00
40	Sight Glass Gasket	239-41635-00	239-41635-00	239-41635-00	239-41635-00	239-41635-00	239-41635-00
41	Sight Glass	239-41610-00	239-41610-00	239-41610-00	239-41610-00	239-41610-00	239-41610-00
42	Combustion Box Gasket - Sides	239-42430-00	239-42430-00	239-42430-00	239-42430-00	239-42430-00	239-42430-00
43	Combustion Box Gasket - Top & Bottom	239-41627-00	239-41627-00	239-41627-00	239-41627-00	239-41627-00	239-41627-00
44	Cleanout O-Ring	205-18427-00	205-18427-00	205-18427-00	205-18427-00	205-18427-00	205-18427-00
	Cleanout Gasket (ASME)	---	---	205-32942-00	---	---	205-32942-00
45	Cleanout Cover	205-18428-00	205-18428-00	205-18428-00	205-18428-00	205-18428-00	205-18428-00
	Cleanout Cover (ASME)	---	---	205-32941-00	---	---	205-32941-00
46	Screw 5/16-18 X 1/2 Hex	239-82166-00	239-82166-00	239-82166-00	239-82166-00	239-82166-00	239-82166-00
	Screw 5/16-18 X 1/2 Hex (ASME)	---	---	239-32970-00	---	---	239-32970-00
47	Cleanout Jacket Cover	243-20299-00	243-20299-00	243-20299-00	243-20299-00	243-20299-00	243-20299-00
48	Lower Thermostat Sensor Clip	233-45242-00	233-45242-00	233-45242-00	233-45242-00	233-45242-00	233-45242-00
49	ASSE Approved Mixing Valve (Optional)	239-43740-02	239-43740-02	239-43740-02	239-43740-02	239-43740-02	239-43740-02
50	Blower Harness	239-46525-01	239-46525-01	239-46525-01	239-46525-01	239-46525-01	239-46525-01
51	Pressure Switch Harness	239-46624-00	239-46624-00	239-46624-00	239-46624-00	239-46624-00	239-46624-00

*Applies to all warranties

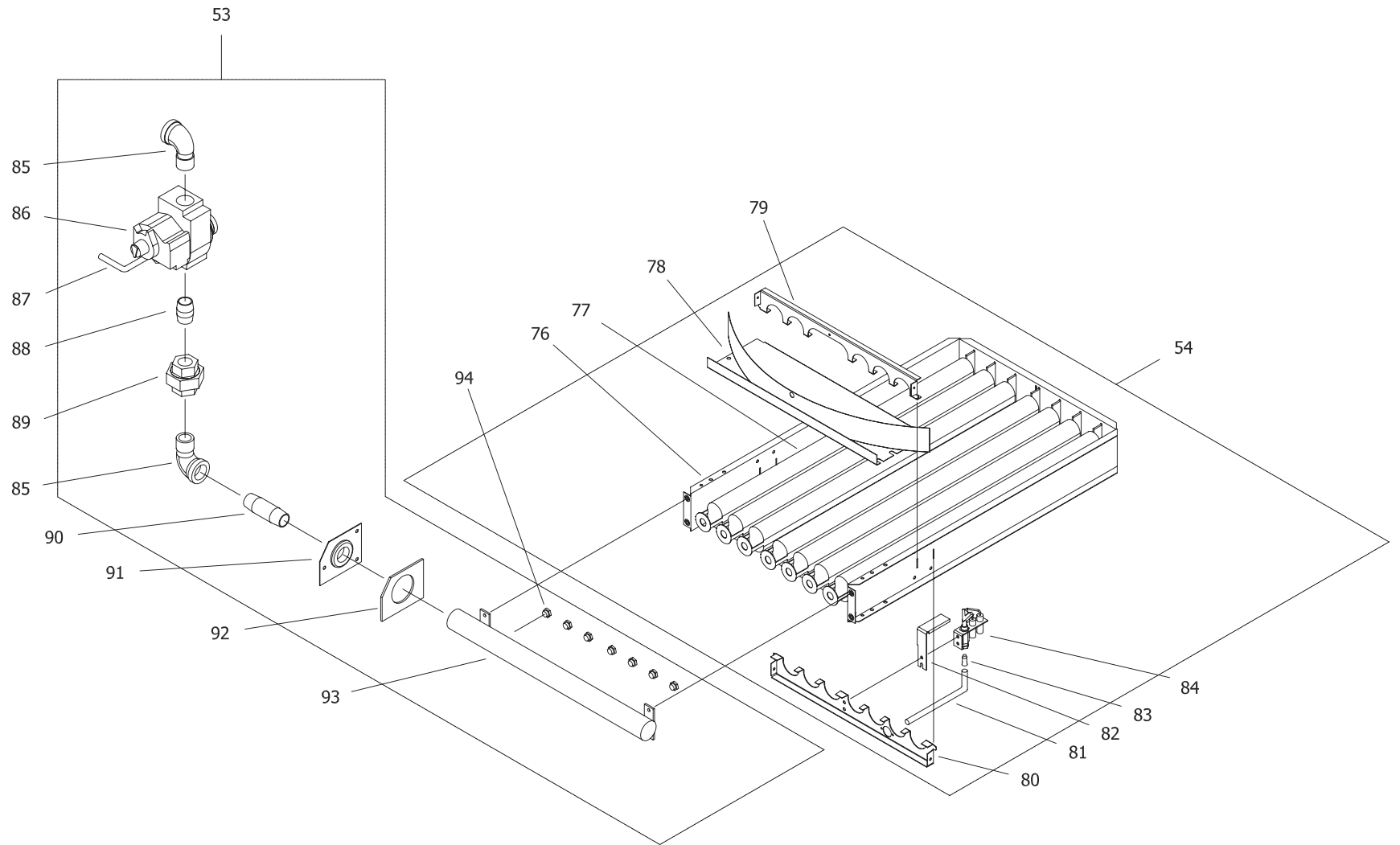




Item	part description	Model PDV80S150(E)*(N,X)	Model PDV80S200(E)*(N,X)	Model PDV80S250(E)*(N,X)(A)	Model PDV100S150(E)*(N,X)	Model PDV100S200(E)*(N,X)	Model PDV100S250(E)*(N,X)(A)
52	Control Box Assembly**	243-46621-03	243-46621-03	243-46621-03	243-46621-03	243-46621-03	243-46621-03
55	Control box cover assembly	243-46615-02	243-46615-02	243-46615-02	243-46615-02	243-46615-02	243-46615-02
56	Honeywell temperature control display	233-46557-00	233-46557-00	233-46557-00	233-46557-00	233-46557-00	233-46557-00
57	Control box cover	239-46509-00	239-46509-00	239-46509-00	239-46509-00	239-46509-00	239-46509-00
58	Integrated control board	233-47261-00	233-47261-00	233-47261-00	233-47261-00	233-47261-00	233-47261-00
59	Control box panel	239-46508-00	239-46508-00	239-46508-00	239-46508-00	239-46508-00	239-46508-00
60	Power On/Off Switch	239-41566-00	239-41566-00	239-41566-00	239-41566-00	239-41566-00	239-41566-00
61	Screw 8/32 X 1/4 Pan Head CR w/adh.	239-46522-00	239-46522-00	239-46522-00	239-46522-00	239-46522-00	239-46522-00
62	Screw #8-18 X 1/2 Pan Head CR	239-43736-00	239-43736-00	239-43736-00	239-43736-00	239-43736-00	239-43736-00
63	Transformer 110V	233-44072-01	233-44072-01	233-44072-01	233-44072-01	233-44072-01	233-44072-01
64	Strain relief bushing 1/2"	239-44575-00	239-44575-00	239-44575-00	239-44575-00	239-44575-00	239-44575-00
65	Strain relief bushing 7/8"	239-80372-00	239-80372-00	239-80372-00	239-80372-00	239-80372-00	239-80372-00
66	Snap-in bushing 7/8"	239-80406-00	239-80406-00	239-80406-00	239-80406-00	239-80406-00	239-80406-00
67	Power cord wiring harness	239-46533-00	239-46533-00	239-46533-00	239-46533-00	239-46533-00	239-46533-00
68	Display control wiring harness	239-46944-00	239-46944-00	239-46944-00	239-46944-00	239-46944-00	239-46944-00
69	Display cover wiring harness	239-46617-00	239-46617-00	239-46617-00	239-46617-00	239-46617-00	239-46617-00
70	Primary transformer wiring harness	239-46531-00	239-46531-00	239-46531-00	239-46531-00	239-46531-00	239-46531-00
71	Secondary transformer wiring harness	239-46530-00	239-46530-00	239-46530-00	239-46530-00	239-46530-00	239-46530-00
72	Gas valve control wiring harness	239-46534-03	239-46534-03	239-46534-03	239-46534-03	239-46534-03	239-46534-03
73	Screw #8-18 X 3/4 Pan Head CR	239-43863-00	239-43863-00	239-43863-00	239-43863-00	239-43863-00	239-43863-00
74	Ground Lug 1/4 x .032	239-80112-00	239-80112-00	239-80112-00	239-80112-00	239-80112-00	239-80112-00
75	Snap-in plug 7/8"	239-81415-05	239-81415-05	239-81415-05	239-81415-05	239-81415-05	239-81415-05

*Applies to all warranties

**Ordering a complete Control Box Assembly may increase delivery time. Please order specific components for quickest delivery.



Item	part description	Model PDV80S150(E)*(N,X)	Model PDV80S200(E)*(N,X)	Model PDV80S250(E)*(N,X)(A)	Model PDV100S150(E)*(N,X)	Model PDV100S200(E)*(N,X)	Model PDV100S250(E)*(N,X)(A)
53	Gas Valve Assembly (Natural Gas) (0-2000)	243-42780-03	243-42780-01	243-42780-05	243-42780-03	243-42780-01	243-42780-05
	Gas Valve Assembly (Natural Gas) (2001-5000)	243-42780-03	243-42780-01	243-42780-08	243-42780-03	243-42780-01	243-42780-08
	Gas Valve Assembly (Natural Gas) (5001-8000)	243-42780-03	243-42780-03	243-42780-08	243-42780-03	243-42780-03	243-42780-08
	Gas Valve Assembly (Natural Gas) (8001+)	243-42780-03	243-42780-07	243-42780-08	243-42780-03	243-42780-03	243-42780-08
	Gas Valve Assembly (Nat. Gas Lo-Nox) (0-2000)	243-42780-03	243-42780-07	243-42780-08	243-42780-03	243-42780-07	243-42780-08
	Gas Valve Assembly (Nat. Gas Lo-Nox) (2001-5000)	243-42780-03	243-42780-07	243-42780-10	243-42780-03	243-42780-07	243-42780-10
	Gas Valve Assembly (Nat. Gas Lo-Nox) (5001-8000)	243-42780-03	243-42780-07	243-42780-10	243-42780-03	243-42780-07	243-42780-01
	Gas Valve Assembly (Nat. Gas Lo-Nox) (8001+)	243-42780-03	243-42780-07	243-42780-01	243-42780-03	243-42780-07	243-42780-07
	Gas Valve Assembly (LP Gas) (0ft-2000ft)	243-42780-04	243-42780-02	243-42780-06	243-42780-04	243-42780-02	243-42780-06
	Gas Valve Assembly (LP Gas) (2001ft-5000ft)	243-42780-04	243-42780-02	243-42780-06	243-42780-04	243-42780-02	243-42780-06
	Gas Valve Assembly (LP Gas) (5001ft-8000ft)	243-42780-04	243-42780-09	243-42780-06	243-42780-04	243-42780-09	243-42780-06
	Gas Valve Assembly (LP Gas) (8001ft & above)	243-42780-04	243-42780-09	243-42780-06	243-42780-04	243-42780-09	243-42780-06
54	Burner Assembly (Natural Gas) **	243-42437-02	243-42437-02	243-42437-02	243-42437-02	243-42437-02	243-42437-02
	Burner Assembly (Natural Gas) (Lo-NOx) ** ▲	243-42437-01	243-42437-01	243-42437-01	243-42437-01	243-42437-01	243-42437-01
	Burner Assembly (LP Gas) **	243-42437-03	243-42437-03	243-42437-03	243-42437-03	243-42437-03	243-42437-03
76	Burner Rack	239-81969-02	239-81969-02	239-81969-02	239-81969-02	239-81969-02	239-81969-02
77	Burner Tube (STD)	228-39177-00	228-39177-00	228-39177-00	228-39177-00	228-39177-00	228-39177-00
	Burner Tube (Lo-NOx)▲	228-42490-00	228-42490-00	228-42490-00	228-42490-00	228-42490-00	228-42490-00
	Burner Tube (Stainless Steel)	228-81964-00	228-81964-00	228-81964-00	228-81964-00	228-81964-00	228-81964-00
78	Burner Shroud	239-42407-00	239-42407-00	239-42407-00	239-42407-00	239-42407-00	239-42407-00
79	Burner Draft Panel	239-39420-00	239-39420-00	239-39420-00	239-39420-00	239-39420-00	239-39420-00
80	Burner Support	239-45181-00	239-45181-00	239-45181-00	239-45181-00	239-45181-00	239-45181-00
81	Aluminum Tubing	233-80361-09	233-80361-09	233-80361-09	233-80361-09	233-80361-09	233-80361-09
82	Pilot Shield	239-41333-00	239-41333-00	239-41333-00	239-41333-00	239-41333-00	239-41333-00
83	Pilot Orifice (Natural Gas)	233-41606-01	233-41606-01	233-41606-01	233-41606-01	233-41606-01	233-41606-01
	Pilot Orifice (LP Gas)	233-41606-02	233-41606-02	233-41606-02	233-41606-02	233-41606-02	233-41606-02
84	Pilot Assembly (Natural Gas)	233-42013-01	233-42013-01	233-42013-01	233-42013-01	233-42013-01	233-42013-01
	Pilot Assembly (LP Gas)	233-42013-02	233-42013-02	233-42013-02	233-42013-02	233-42013-02	233-42013-02
85	Street Elbow	239-20292-00	239-20292-00	239-20292-00	239-20292-00	239-20292-00	239-20292-00
86	Gas Valve (Natural Gas)	222-80830-02	222-80830-02	222-80830-02	222-80830-02	222-80830-02	222-80830-02
	Gas Valve (LP Gas)	222-80831-02	222-80831-02	222-80831-02	222-80831-02	222-80831-02	222-80831-02
87	Aluminum Tubing	233-80361-08	233-80361-08	233-80361-08	233-80361-08	233-80361-08	233-80361-08
88	Nipple Close	239-05972-00	239-05972-00	239-05972-00	239-05972-00	239-05972-00	239-05972-00
89	Union	239-41833-00	239-41833-00	239-41833-00	239-41833-00	239-41833-00	239-41833-00
90	Nipple	239-31811-00	239-31811-00	239-31811-00	239-31811-00	239-31811-00	239-31811-00
91	Flange Combustion Box	239-41612-00	239-41612-00	239-41612-00	239-41612-00	239-41612-00	239-41612-00
92	Flange Gasket	239-41613-00	239-41613-00	239-41613-00	239-41613-00	239-41613-00	239-41613-00
93	Manifold	233-41550-00	233-41550-00	233-41550-00	233-41550-00	233-41550-00	233-41550-00
94	Main Burner Orifice (Natural Gas) (0ft to 2000ft)	234-06016-81	234-06016-78	234-06016-41	234-06016-81	234-06016-78	234-06016-41
	High Altitude Orifice (Natural Gas) (2001ft to 5000ft)	234-06016-81	234-06016-78	234-06016-43	234-06016-81	234-06016-78	234-06016-43
	High Altitude Orifice (Natural Gas) (5001ft to 8000ft)	234-06016-81	234-06016-81	234-06016-43	234-06016-81	234-06016-81	234-06016-43
	High Altitude Orifice (Natural Gas) (8001ft & above)	234-06016-81	234-06016-81	234-06016-43	234-06016-81	234-06016-81	234-06016-43
	Main Burner Orifice (Nat. Gas Lo-Nox) (0ft to 2000ft)	234-06016-81	234-06016-79	234-06016-43	234-06016-81	234-06016-79	234-06016-43
	High Altitude Orifice (Nat. Gas Lo-Nox) (2001ft to 5000ft)	234-06016-81	234-06016-79	234-06016-77	234-06016-81	234-06016-79	234-06016-77
	High Altitude Orifice (Nat. Gas Lo-Nox) (5001ft to 8000ft)	234-06016-81	234-06016-79	234-06016-78	234-06016-81	234-06016-79	234-06016-78
	High Altitude Orifice (Nat. Gas Lo-Nox) (8001ft & above)	234-06016-81	234-06016-79	234-06016-79	234-06016-81	234-06016-79	234-06016-79
	Main Burner Orifice LP Gas) (0ft to 2000ft)	234-06016-55	234-06016-53	234-06016-52	234-06016-55	234-06016-53	234-06016-52
	High Altitude Orifice (LP Gas) (2001ft to 5000ft)	234-06016-55	234-06016-53	234-06016-52	234-06016-55	234-06016-53	234-06016-52
	High Altitude Orifice (LP Gas) (5001ft to 8000ft)	234-06016-55	234-06016-54	234-06016-52	234-06016-55	234-06016-54	234-06016-52
	High Altitude Orifice (LP Gas) (8001ft & above)	234-06016-55	234-06016-54	234-06016-52	234-06016-55	234-06016-54	234-06016-52
-	LP to NAT Conversion Kit	265-46035-01	265-46035-02	265-46035-03	265-46035-01	265-46035-02	265-46035-03

*Applies to all warranties

**Ordering a complete Burner Assembly may increase delivery time. Please order specific components for quickest delivery.

▲Applies when "E" is present in model number (example PDV80S15(E)3N)





BRADFORD WHITE®

W A T E R H E A T E R S

Ambler, PA

For U.S. and Canada field service,
contact your professional installer or
local Bradford White sales representative.

Sales/800-523-2931
Fax/215-641-1670
Parts Fax/215-641-2180

Technical Support/800-334-3393
Fax/269-795-1089

Warranty/800-531-2111
Fax/269-795-1089

International:
Telephone/215-641-9400
Telefax/215-641-9750



BRADFORD WHITE-CANADA® INC.

Mississauga, ON

Sales/866-690-0961
905-238-0100

Fax/905-238-0105

Technical Support/800-334-3393

Email

parts@bradfordwhite.com
techserv@bradfordwhite.com

www.bradfordwhite.com