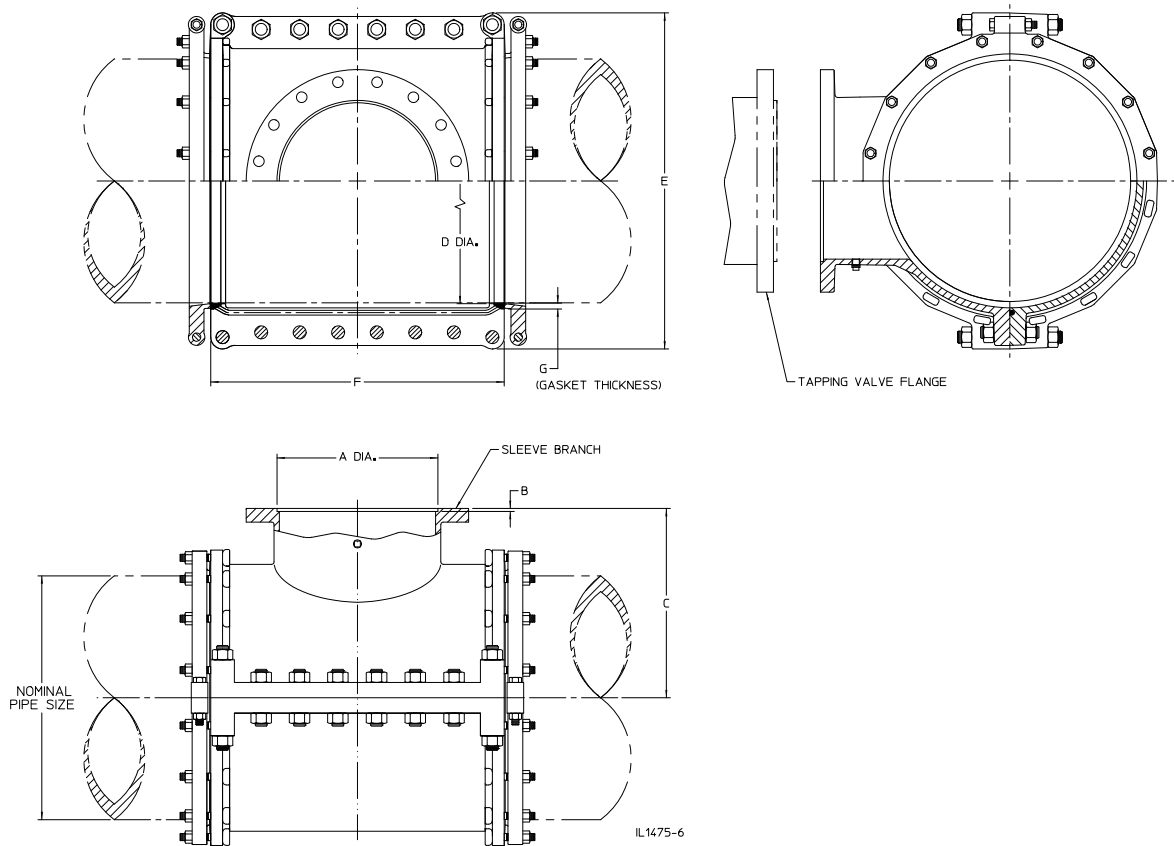


AMERICAN Flow Control Submittal Information

14" & 18" - 24" SERIES 2800-C TAPPING SLEEVE



Sleeve Size (Pipe x Branch)	14x4	14x6	14x8	14x10	14x12	14x14	18x4	18x6	18x8	18x10	18x12	18x14	18x16	18x18	20x4	20x6	20x8
A	5.016	7.016	9.016	11.016	13.016	15.016	5.016	7.016	9.016	11.016	13.016	15.016	17.016	19.016	5.016	7.016	9.016
B	.25	.31	.31	.31	.31	.31	.25	.31	.31	.31	.31	.31	.31	.31	.25	.31	.31
C	13.50	13.50	13.50	13.50	13.50	13.50	15.50	15.50	15.50	15.50	16.00	16.00	16.00	16.00	17.25	17.25	17.25
D	15.44	15.44	15.44	15.44	15.44	15.44	19.62	19.62	19.62	19.62	19.62	19.62	19.62	19.62	21.75	21.75	21.75
E	23.00	23.00	23.00	23.00	23.00	23.00	28.00	28.00	28.00	28.00	28.00	28.00	28.00	28.00	30.25	30.25	30.25
F	24.00	24.00	24.00	24.00	27.00	27.00	18.00	18.00	24.00	24.00	24.00	31.00	31.00	31.00	24.00	24.00	24.00

Sleeve Size (Pipe x Branch)	20x10	20x12	20x14	20x16	20x18	20x20	24x4	24x6	24x8	24x10	24x12	24x14	24x16	24x18	24x20	24x24
A	11.016	13.016	15.016	17.016	19.016	21.016	5.016	7.016	9.016	11.016	13.016	15.016	17.016	19.016	21.016	25.016
B	.31	.31	.31	.31	.31	.31	.25	.31	.31	.31	.31	.31	.31	.31	.31	.31
C	17.25	17.75	17.75	17.75	17.75	17.75	19.00	19.00	19.00	19.00	19.00	19.00	20.00	20.00	20.00	20.00
D	21.75	21.75	21.75	21.75	21.75	21.75	25.94	25.94	25.94	25.94	25.94	25.94	25.94	25.94	25.94	25.94
E	30.25	30.25	30.25	30.25	30.25	30.25	35.25	35.50	35.50	35.50	35.50	35.50	35.50	35.50	35.50	35.50
F	24.00	30.00	30.00	30.00	34.00	34.00	18.00	18.00	25.00	25.00	25.00	31.00	31.00	31.00	38.00	38.00

G (Gasket Thickness) Two 3/4" thick gaskets which fit ductile iron and centrifugally cast gray iron pipe are supplied as standard. See next page for the minimum and maximum allowable pipe sizes.

NOTES:

1. 250 psig rated working pressure.
2. Flange pilot dimensions (A & B) are in accordance with MSS SP-60.



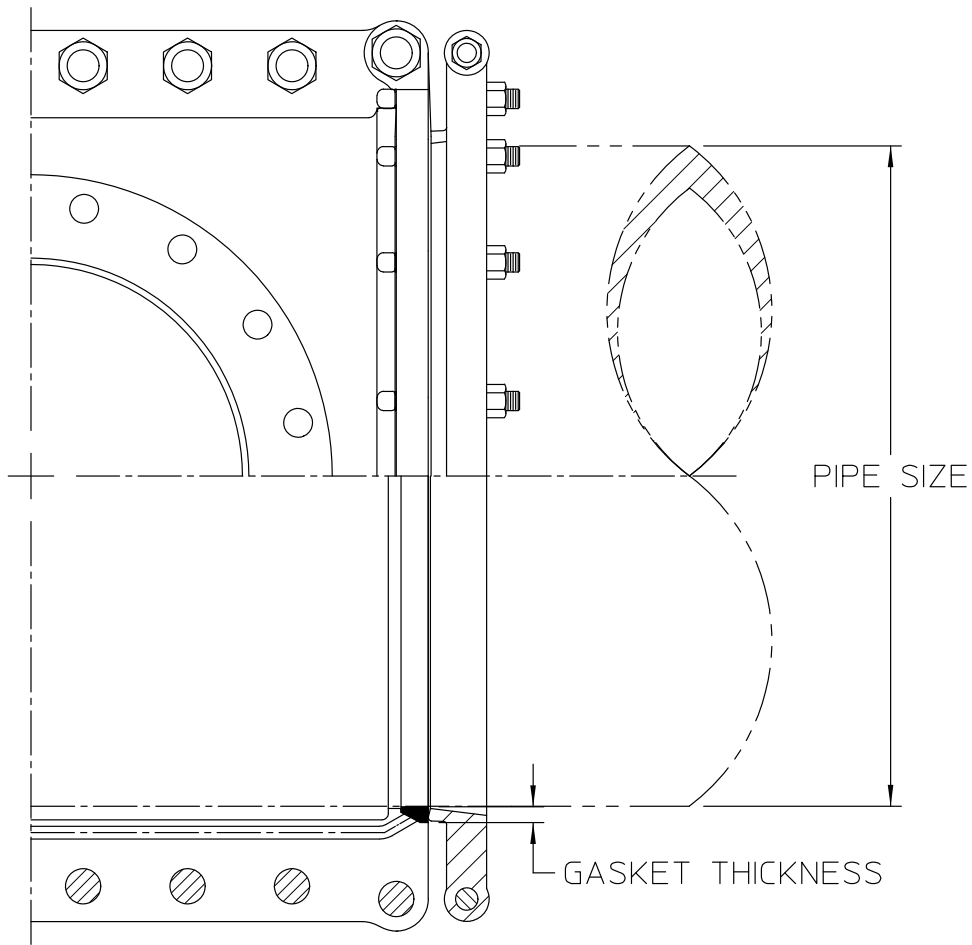
AMERICAN
FLOW CONTROL

THE RIGHT WAY

AMERICAN Flow Control
P.O. Box 2727
Birmingham, Al. 35202-2727
Phone: 1-800-326-8051
Fax: 1-800-610-3569
E-mail: afcsales@american-usa.com

Waterous Company
125 Hardman Avenue South
South St. Paul, Mn. 55075-1191
Phone: 1-888-266-3686
Fax: 1-800-601-2809
E-mail: afcsales@american-usa.com

WWW.AMERICAN-USA.COM



IL1475-7

Nominal Pipe Size	3/4" Thick Gasket			
	Diameter		Circumference	
	Minimum	Maximum	Minimum	Maximum
14"	15.24	15.36	47.88	48.25
18"	19.44	19.56	61.07	61.45
20"	21.54	21.66	67.67	68.05
24"	25.74	25.86	80.86	81.24



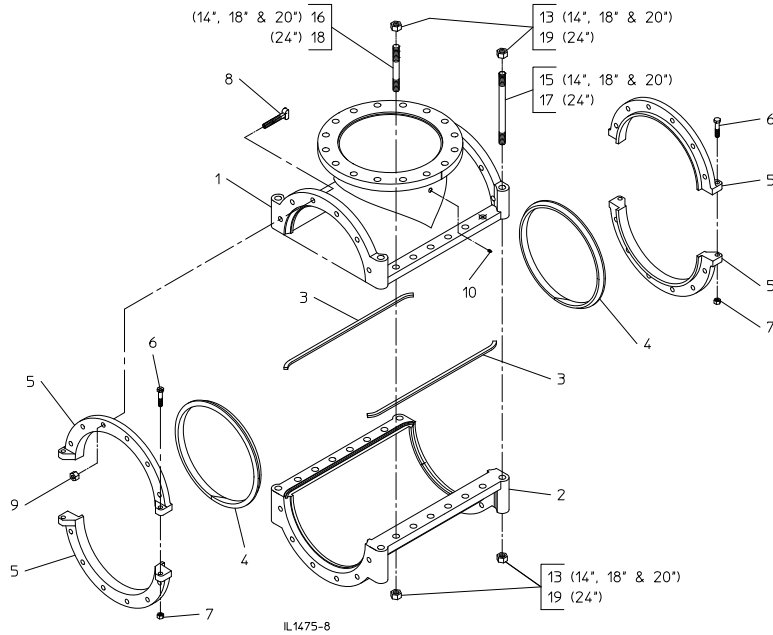
AMERICAN
FLOW CONTROL

THE RIGHT WAY

AMERICAN Flow Control
P.O. Box 2727
Birmingham, Al. 35202-2727
Phone: 1-800-326-8051
Fax: 1-800-610-3569
E-mail: afcsales@american-usa.com

Waterous Company
125 Hardman Avenue South
South St. Paul, Mn. 55075-1191
Phone: 1-888-266-3686
Fax: 1-800-601-2809
E-mail: afcsales@american-usa.com

WWW.AMERICAN-USA.COM



Ref No.	Description	Material	Quantity			
			14"	18"	20"	24"
1	Tapping Sleeve Front	Ductile Iron ASTM A536 Grade 65-45-12	1	1	1	1
2	Tapping Sleeve Back	Ductile Iron ASTM A536 Grade 65-45-12	1	1	1	1
3	MJ Side Gasket	Rubber	2	2	2	2
4	MJ End Gasket	Rubber	2	2	2	2
5	MJ Split Gland Half	Ductile Iron ASTM A536 Grade 65-45-12	4	4	4	4
6	Hex Head Bolt, 3/4" - 10	Zinc Plated Steel	4	4	4	4
7	Hex Nut, 3/4" - 10	Zinc Plated Steel	4	4	4	4
8	T-Head Bolt, 3/4" - 10	Cor-Ten Steel	20	24	28	32
9	T-Head Nut, 3/4" - 10	Cor-Ten Steel	20	24	28	32
10	Square Head Pipe Plug, 1/2" NPT	Stainless Steel	1	1	1	1
13	Hex Nut, 1" - 8	Zinc Plated Steel	See Tables	See Tables	See Tables	-
15	Stud, 1" - 8	Zinc Plated Steel	4	4	4	-
16	Stud, 1" - 8	Zinc Plated Steel	See Tables	See Tables	See Tables	-
17	Stud, 1-1/4" - 7	Zinc Plated Steel	-	-	-	4
18	Stud, 1-1/4" - 7	Zinc Plated Steel	-	-	-	See Tables
19	Hex Nut, 1-1/4" - 7	Zinc Plated Steel	-	-	-	See Tables

Sleeve Size (Pipe x Branch)	14x4	14x6	14x8	14x10	14x12	14x14	18x4	18x6	18x8	18x10	18x12	18x14	18x16	18x18	20x4	20x6
Ref. No. 16	8	8	8	8	10	10	6	6	8	8	8	12	12	12	8	8
Ref. No. 13	24	24	24	24	28	28	14	14	16	16	16	20	20	20	16	16

Sleeve Size (Pipe x Branch)	20x8	20x10	20x12	20x14	20x16	20x18	20x20
Ref. No. 16	8	8	12	12	12	14	14
Ref. No. 13	16	16	20	20	20	22	22

Sleeve Size (Pipe x Branch)	24x4	24x6	24x8	24x10	24x12	24x14	24x16
Ref. No. 18	6	6	8	8	8	12	12
Ref. No. 19	14	14	16	16	16	32	32

Sleeve Size (Pipe x Branch)	24x18	24x20	24x24	24x10	24x12	24x14	24x16
Ref. No. 18	12	14	14	8	8	12	12
Ref. No. 19	32	36	36	16	16	32	32



AMERICAN
FLOW CONTROL

THE RIGHT WAY

AMERICAN Flow Control
P.O. Box 2727
Birmingham, Al. 35202-2727
Phone: 1-800-326-8051
Fax: 1-800-610-3569
E-mail: afcsales@american-usa.com

Waterous Company
125 Hardman Avenue South
South St. Paul, Mn. 55075-1191
Phone: 1-888-266-3686
Fax: 1-800-601-2809
E-mail: afcsales@american-usa.com

WWW.AMERICAN-USA.COM