

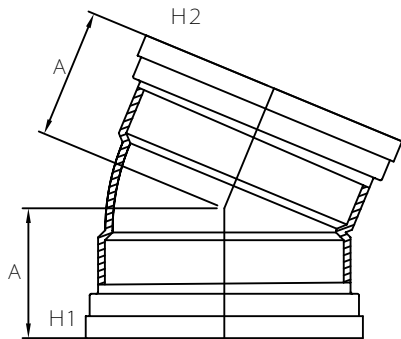


MULTI FITTINGS

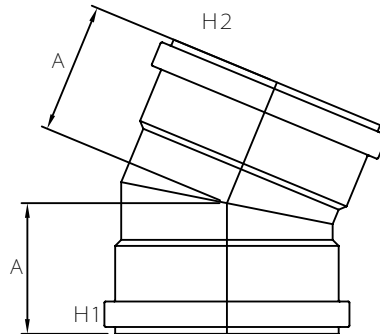
# LAYING LENGTH

ISSUE DATE: OCT 30/17  
SUPERCEDES: SEPT 14/07

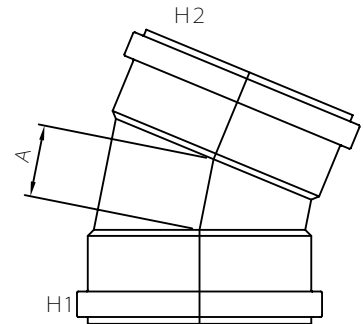
## 22 1/2° ELBOW (GxG) (1/16 BEND)



INJECTION MOLDED FITTING (M)



FABRICATED FITTING (F)



FABRICATED FITTING (F1)

	SIZE H1xH2	PART NUMBER	A REF
M =	4x4	067304	3.000
M =	6x6	067306	4.000
M =	6x6 LONG	067017	5.000
F	8x8	067308	-
F @	10x10	067310	9.750
F @	12x12	067311	18.000
F1 @	15x15	067315	11.000
F1 @	18x18	067318	-

NOTE: = Refer to Page HW4 for Hub Detail, Type A  
@ Refer to Page HW5 for Hub Detail, Fabricated