

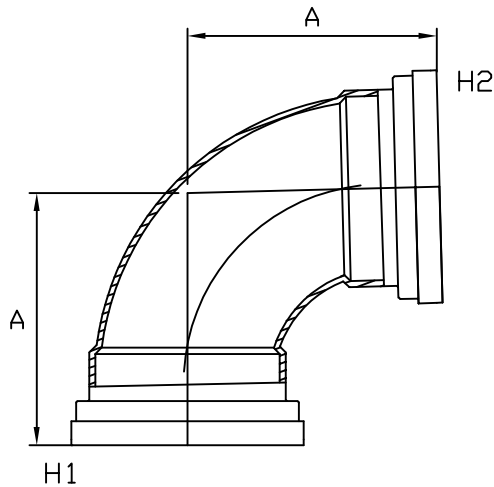


MULTI FITTINGS

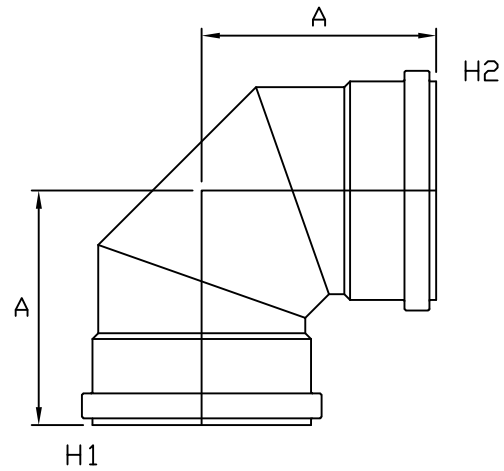
# LAYING LENGTH

ISSUE DATE: OCT 30/17  
SUPERCEDES: SEPT 14/07

## 90° LONG ELBOW (GxG) (1/4 BEND)



INJECTION MOLDED FITTING (M)



FABRICATED FITTING (F)

	SIZE H1xH2	PART NUMBER	A REF
M =	4x4	067344	5.750
F @	10x10	067349	17.000
F @	12x12	067350	19.000
F @	15x15	067351	26.750
F @	18x18	067352	33.000

NOTE: = Refer to Page HW4 for Hub Detail, Type A  
 @ Refer to Page HW5 for Hub Detail, Fabricated