

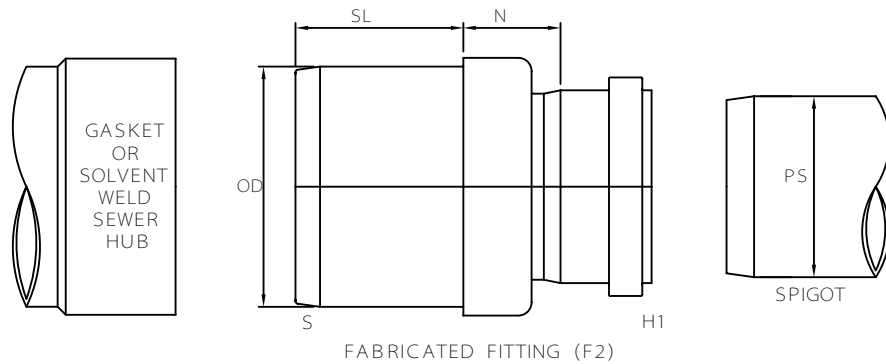
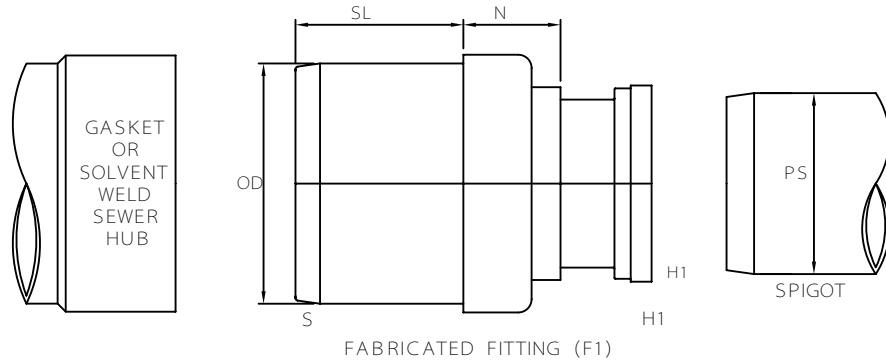


MULTI FITTINGS

LAYING LENGTH

ISSUE DATE: OCT 30/17
SUPERCEDES: SEPT 14/07

EXTENDED BUSHING (SxG)



	SIZE SxH1	PART NUMBER	N REF	SL REF	OD	PS SEWER
P	8x4	067508	-	-	8.400	4.215
F	8x6	067518	-	-	8.400	6.275
F	10x4	067519	-	-	10.500	4.215
F1 @	10x6	067520	5.000	8.000	10.500	6.275
F	12x4	067524	-	-	12.500	4.215
F1 @	12x6	067545	5.500	8.000	12.500	6.275
F1 @	12x8	067549	5.500	8.000	12.500	8.400
F1 @	15x4	067544	5.500	11.000	15.300	4.215
F1 @	15x6	067546	5.500	11.000	15.300	6.275
F1 @	15x8	067543	5.500	11.000	15.300	8.400
F1 @	15x12	067555	8.500	10.000	15.300	12.500
P	18x4	067556	-	-	18.701	4.215
F1 @	18x6	067557	5.000	14.000	18.701	6.275
F1 @	18x8	067558	5.750	14.250	18.701	8.400
F2 @	18x10	067559	5.500	14.000	18.701	10.500
F2 @	18x12	067568	5.500	14.000	18.701	12.500

NOTE: @ Refer to Page HW5 for Hub Detail, Fabricated