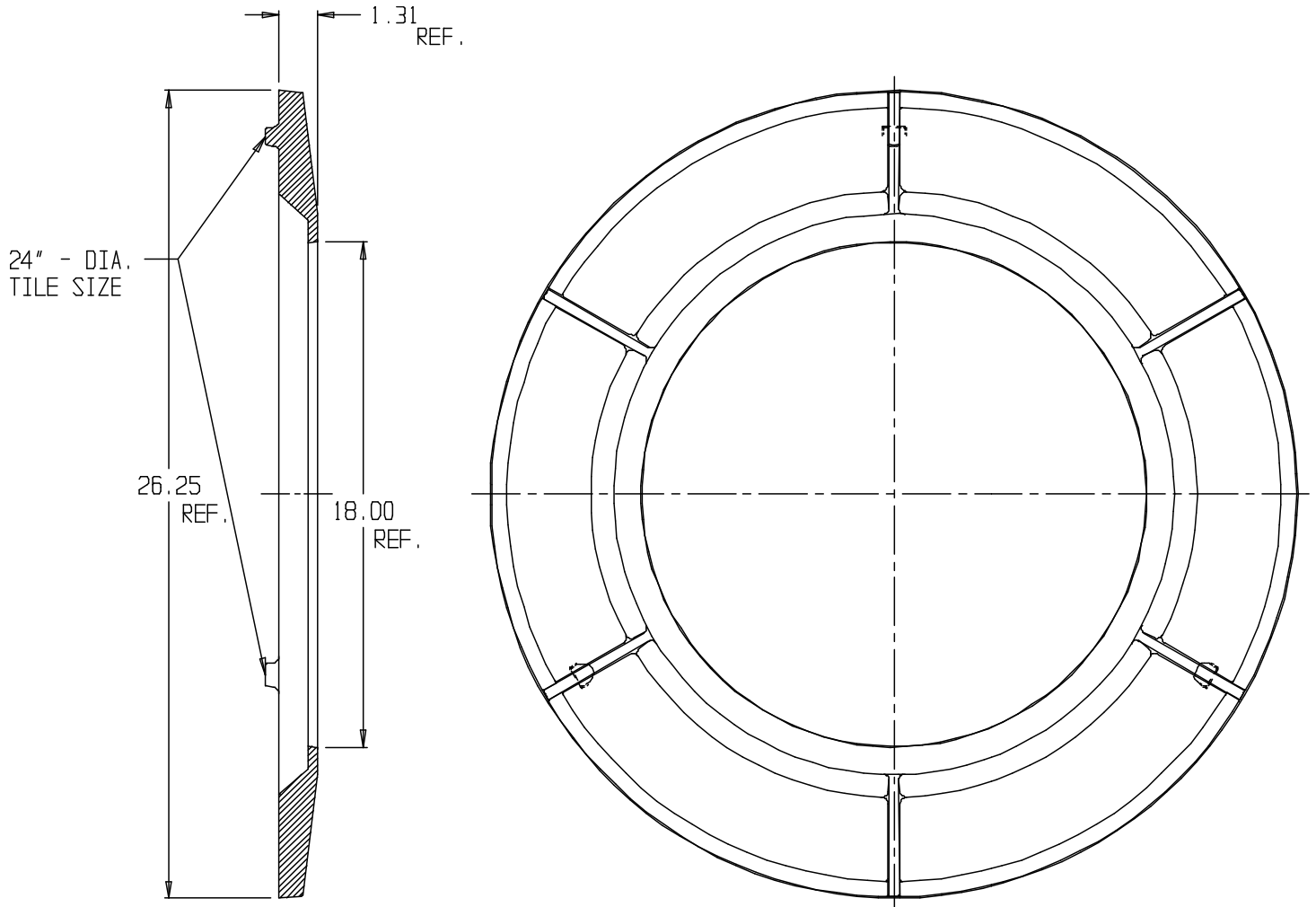


# SUBMITTAL DATA SHEET

Frame & Cover - 74MX1

18" x 24" Extension Ring



NOTE: MAY NOT CONTAIN SUPPORT RTBS

## SUBMITTAL INFORMATION

- Cast Iron per ASTM A48, Class 25
- Coated with black dip



A.Y. McDonald Mfg. Co.  
P.O. Box 508  
Dubuque, IA 52004-508

Toll Free: 1-800-292-2737  
Fax: 1-800-832-9296  
Hours: 7:00 a.m. - 5:00 p.m., CST

sales@aymcdonald.com  
[www.aymcdonald.com](http://www.aymcdonald.com)

A.Y. McDonald considers the information on this assembly drawing correct when published. Item and option availability, including specifications, are subject to change without notice.

Submitted by:

09-14