

Central Brass

C O M P A N Y

Brecksville, Ohio 44141

Phone: (216) 883-0220 Fax: (440) 526-5745

www.CentralBrass.com

**0905 0908-Z 0926
80908-Z 80926
**TWO-VALVE
BATH/SHOWER FITTING****

The two-valve shower fitting is made with a cast brass body with replaceable seats (for compression stems only) designed for I.P. union connections. The stem units are all brass with a reinforced rubber packing and rubber seat washer (for compression stems) or ceramic sealing discs (for ceramic units). The stem units can be easily replaced from the front of the fitting without removing the valve body. The handles and escutcheons are zinc die cast with a chrome plated finish. The shower arm is brass with a chrome plated finish, the escutcheon is stainless steel and the shower head is chrome plated plastic. The spout is brass or Zamak (Z suffix) with a chrome plated finish. Direct sweat union sleeves (C suffix).

ASME A112.18.1M

Shower Flow Rate 2.5 gpm @ 80 psi

MODEL NOS.
0905 0908-Z 0926
80908-Z 80926
TWO-VALVE
BATH/SHOWER FITTING



8" Centers, Direct Sweat, Compression Stems, Replaceable Seats

0905 Series	Bath Valve only
0908 Series	Bath Filler Valve with 1/2- inch IPS Spout
0926 Series	Shower Valve with Shower Head, Arm & Flange

8" Centers, Direct Sweat, Ceramic Stem Assemblies

80908 Series	Bath Valve with 1/2 IPS Spout
80926 Series	Shower Valve with Shower Head, Arm & Flange

Central Brass

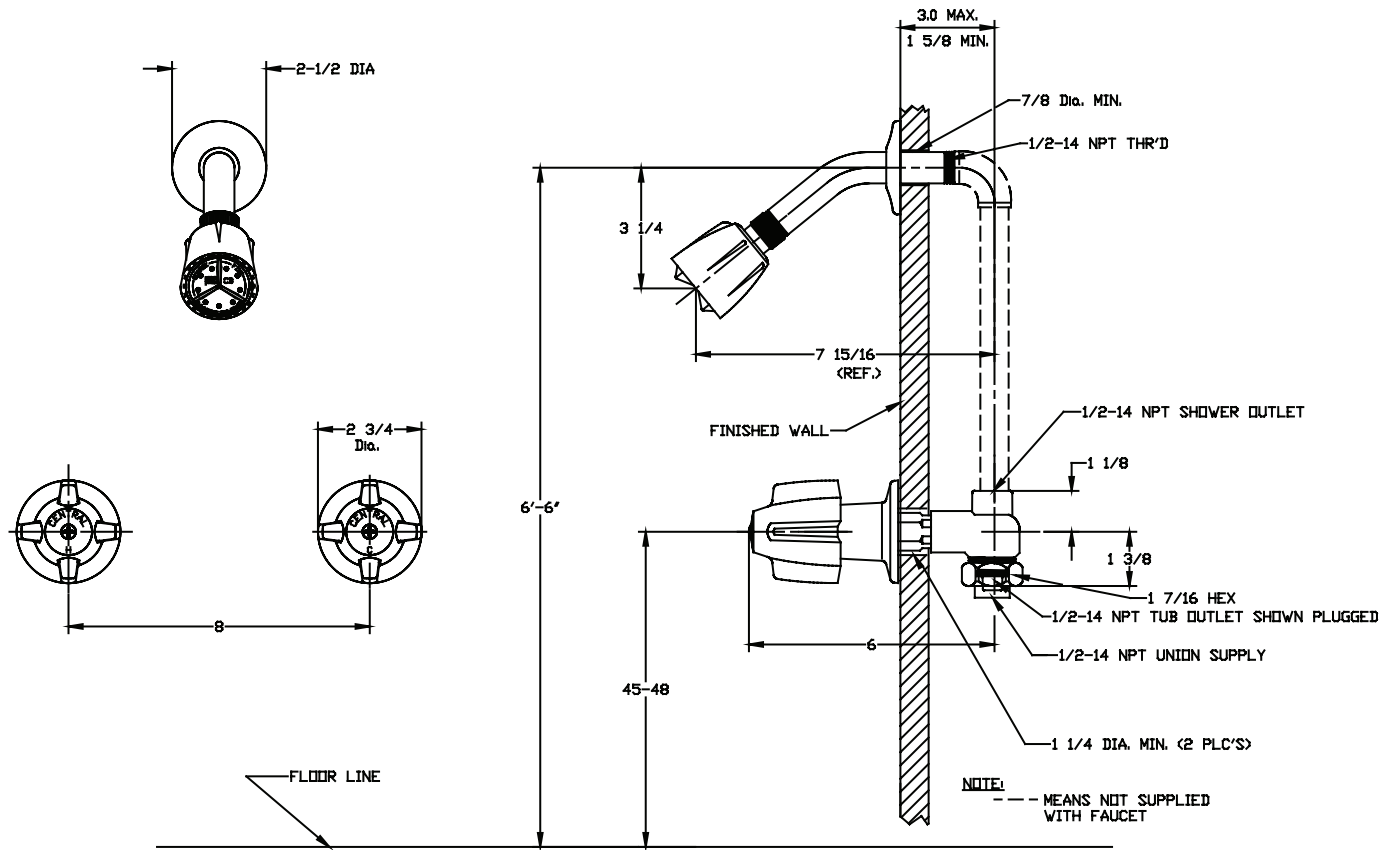
COMPANY

Brecksville, Ohio 44141

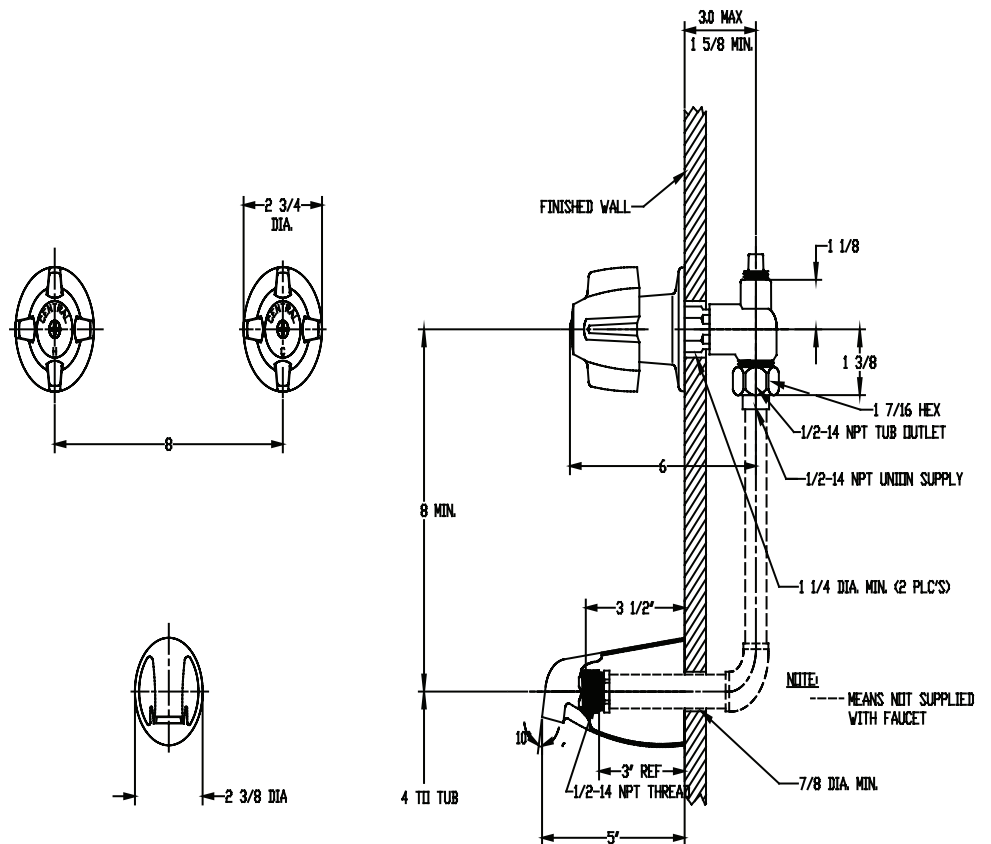
Phone: (216) 883-0220 Fax: (440) 526-5745

www.CentralBrass.com

0905 0908-Z 0926
80908-Z 80926
TWO-VALVE
BATH/SHOWER FITTING



Installation Drawings



Central Brass

C O M P A N Y

Brecksville, Ohio 44141

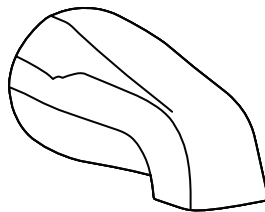
Phone: (216) 883-0220 Fax: (440) 526-5745

www.CentralBrass.com

0905 0908-Z 0926
80908-Z 80926
TWO-VALVE
BATH/SHOWER FITTING

Spout variations available

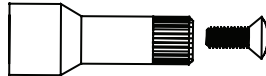
Z - Suffix
Zamak Spout



3154-Z

Accessories available

Brass
Stem Extension



G-1548-ET
(Available Separately)
Used for thicker wall dimensions

Central Brass

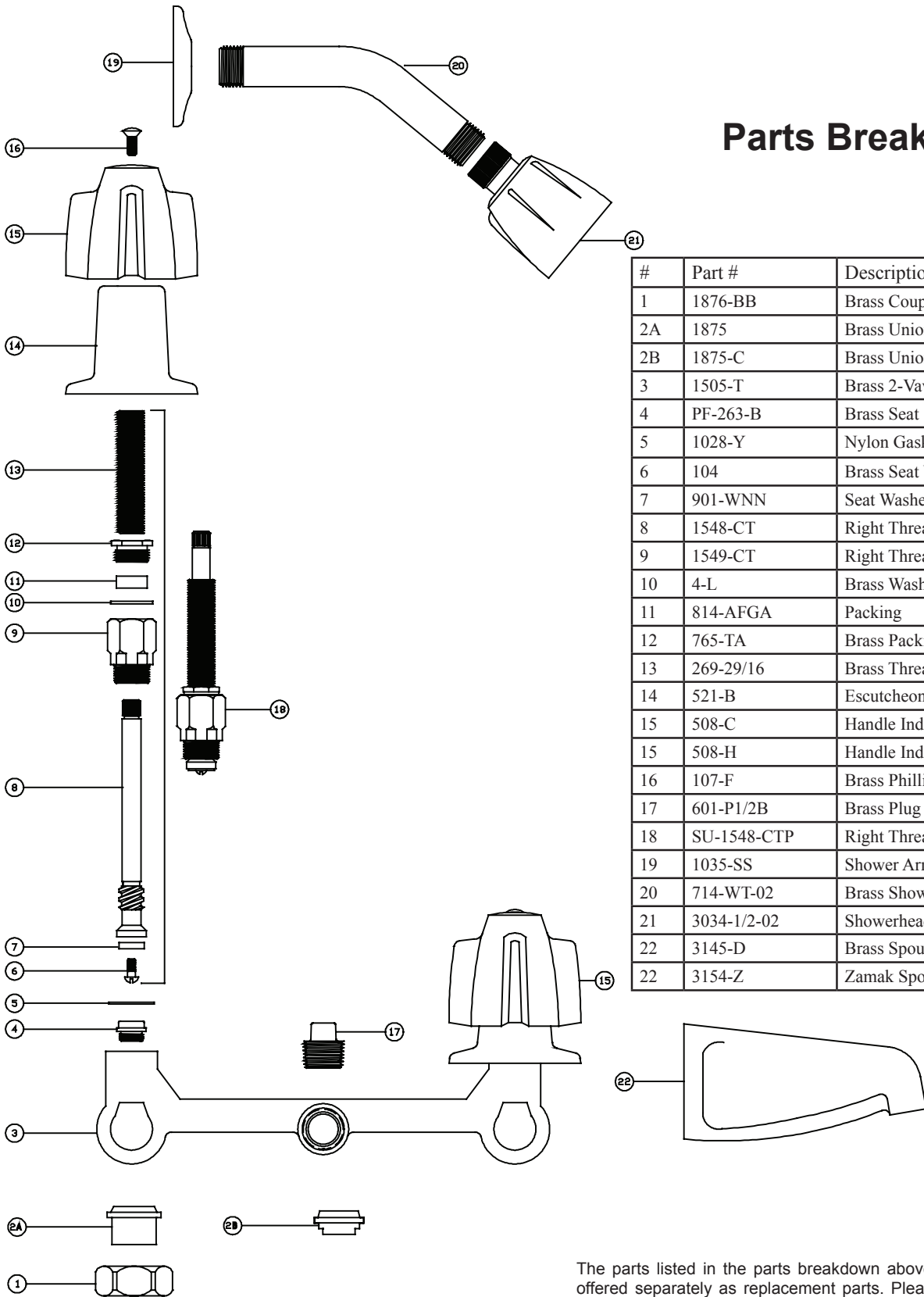
COMPANY

Brecksville, Ohio 44141

Phone: (216) 883-0220 Fax: (440) 526-5745

www.CentralBrass.com

0905 0908-Z 0926
80908-Z 80926
TWO-VALVE
BATH/ShOWER FITTING



Parts Breakdown

#	Part #	Description
1	1876-BB	Brass Coupling
2A	1875	Brass Union
2B	1875-C	Brass Union (for "C" Suffice only)
3	1505-T	Brass 2-Valve Body
4	PF-263-B	Brass Seat
5	1028-Y	Nylon Gasket
6	104	Brass Seat Washer Screw
7	901-WNN	Seat Washer
8	1548-CT	Right Thread Brass Stem
9	1549-CT	Right Thread Brass Bonnet
10	4-L	Brass Washer
11	814-AFGA	Packing
12	765-TA	Brass Packing Nut
13	269-29/16	Brass Threaded Nipple
14	521-B	Escutcheon
15	508-C	Handle Indexed "C"
15	508-H	Handle Indexed "H"
16	107-F	Brass Phillips Head Screw
17	601-P1/2B	Brass Plug
18	SU-1548-CTP	Right Thread Stem Assembly
19	1035-SS	Shower Arm Flange (for 0926 series only)
20	714-WT-02	Brass Shower Arm (for 0926 series only)
21	3034-1/2-02	Showerhead (for 0926 series only)
22	3145-D	Brass Spout (for 0908 series only)
22	3154-Z	Zamak Spout (for 0908-Z series only)

The parts listed in the parts breakdown above may not be offered separately as replacement parts. Please review the Replacement Parts page for the authorized replacement parts that are available for this item.

Central Brass

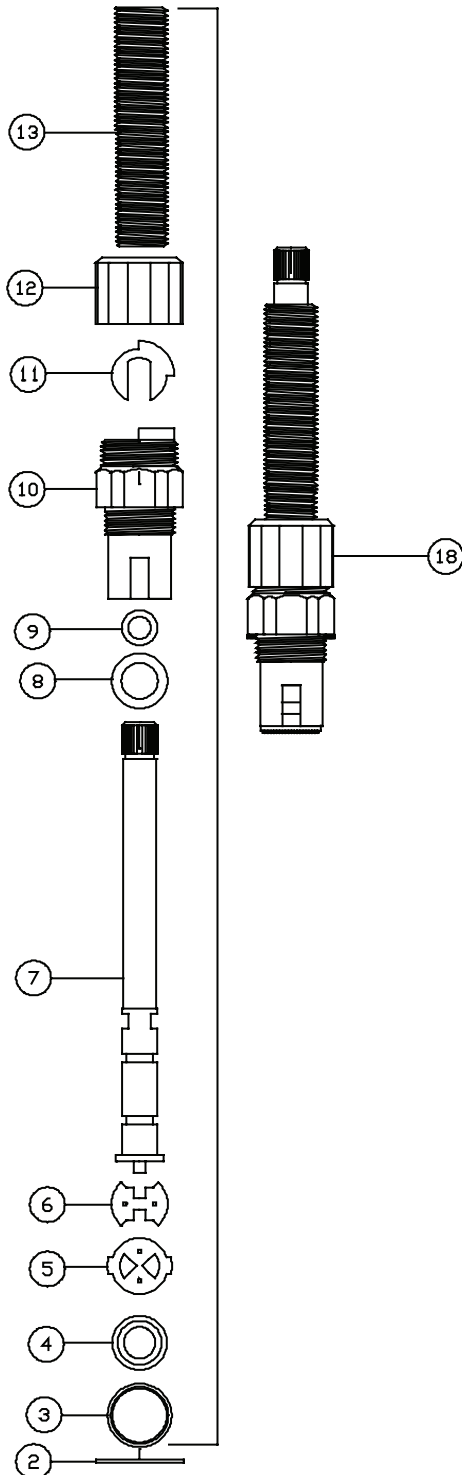
C O M P A N Y

Brecskville, Ohio 44141

Phone: (216) 883-0220 Fax: (440) 526-5745

www.CentralBrass.com

0905 0908-Z 0926
80908-Z 80926
TWO-VALVE
BATH/SHOWER FITTING



80908-Z 80926 **Ceramic Stem Parts** **replaces compression stem** **SU-1548-CTP**

Parts Breakdown

#	Part #	Description
2	1028-Y	Nylon Gasket
3	184-A	Celcon Retianer
4	183-A	Rubber Seal
5	182	Ceramic Disc - Lower
6	181	Ceramic Disc - Upper
7	351-S	Brass Stem
8	180	Celcon Washer
9	1038-E14	O-Ring
10	0351-B	Brass Bonnet
11	351-W	Brass Stop Washer
12	351-C	Brass Cap
13	269-29/16	Brass Threaded Nipple
18	SU-351-L	Left Thread Ceramic Disc Cartridge

The parts listed in the parts breakdown above may not be offered separately as replacement parts. Please review the Replacement Parts page for the authorized replacement parts that are available for this item.