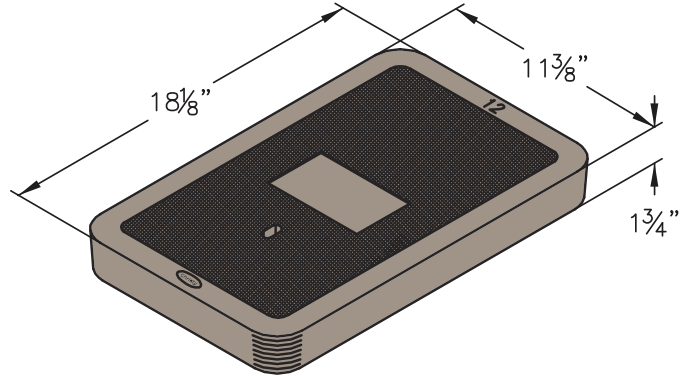


# B12

## CHRISTY®

### COVER

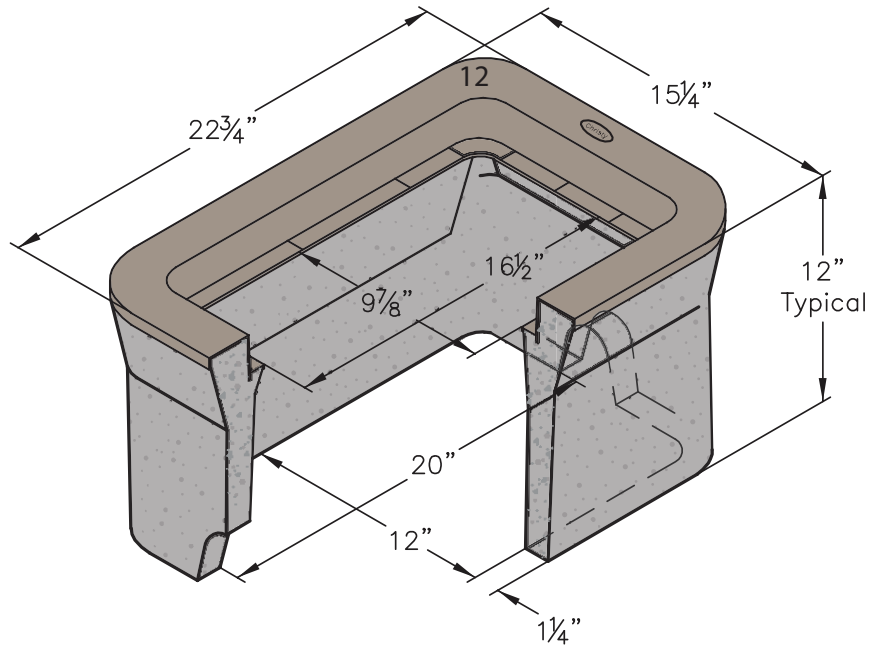
Style:	Flush
Material:	Reinforced Concrete
Model:	12" x 18"
Weight:	26 lbs
Options:	Special Markings
Surface:	Skid Resistant & Marked*
Coefficient of Friction:	>0.6 ASTM 1028
Performance:	ASTM C 857, WUC 3.6



Cover comes standard with permanent markings for manufacturer, load rating, model size and manufacturing location.

### BODY

Material:	Reinforced Concrete with Composite Cap
Model:	23" x 15"
Weight:	12" Depth: 96 lbs
Wall Type:	Straight
Mouseholes:	0 - 2
Performance:	ASTM C 857, WUC 3.6



### EXTENSION

Material:	Reinforced Concrete
Depth:	12"
Weight:	103 lbs

### LOAD RATING / NOTES



LIGHT DUTY  
PEDESTRIAN / GREENBELT

For use in non-vehicular traffic situations only. Weights and dimensions may vary slightly. Actual load rating is determined by the box and cover combination.

# B12

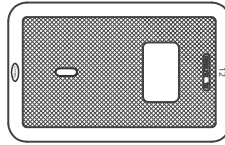
CHRISTY®

## COVER OPTIONS

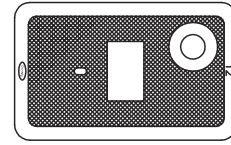
- Concrete, Flush Solid
- Concrete, Flush with AMR Opening
- Concrete, Flush with Cast Iron Reader Door
- Concrete, Flush with Concrete Reader Lid
- Cast Iron, Flush Solid
- Steel Checker Plate, Solid
- Steel Checker Plate, with Reader Door

## COVER OPTIONS

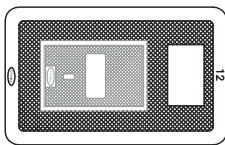
- Galvanizing (Steel Covers)



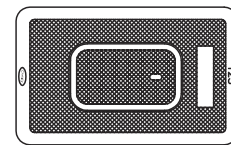
Concrete  
Flush



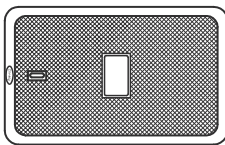
Concrete  
with AMR Opening



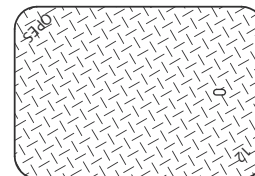
Concrete with  
Cast Iron Reader Door



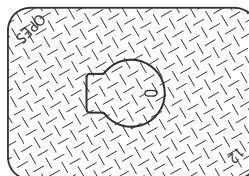
Concrete with  
Concrete Reader Lid



Cast Iron  
Flush



Steel Checker  
Plate



Steel with 6" Round  
Reader Door

 **WARNING:** Cancer and Reproductive Harm - [www.P65Warnings.ca.gov](http://www.P65Warnings.ca.gov)

All information contained on this sheet is current at the time of publication.  
Oldcastle reserves the right to discontinue or update product information without notice.

Revision 12/06/18  
© 2018 Oldcastle Infrastructure