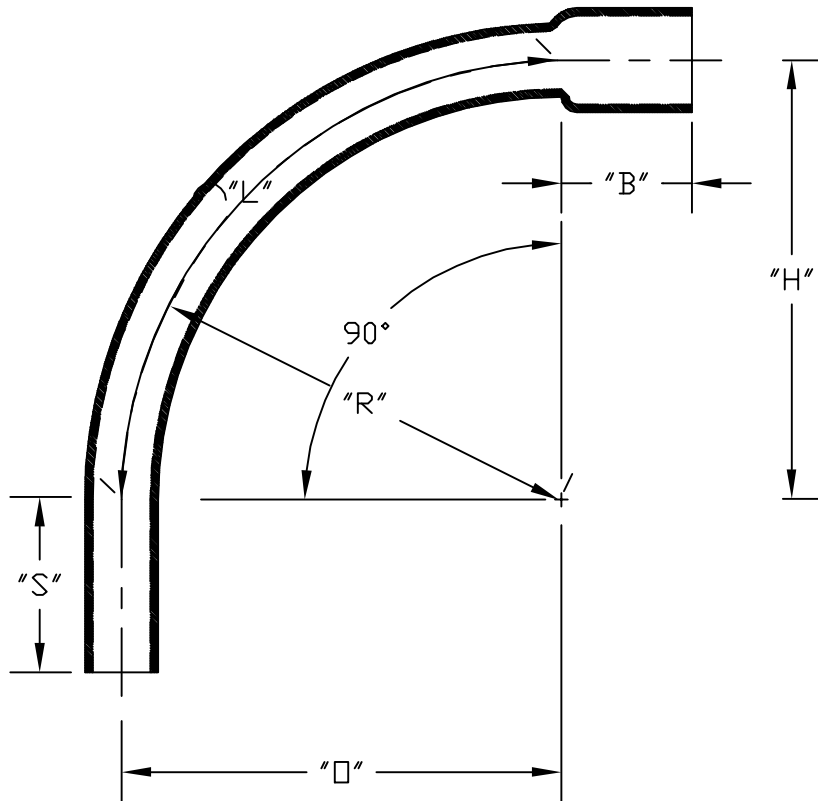


PART NUMBER	SIZE	"R"	"O"	"H"	"S" MIN	"B" MIN	"L"
XXXXXXX	1/2"	24"	24"	24"	1 1/2"	1 1/16"	37 1/16"
5234099	3/4"	24"	24"	24"	1 1/2"	3/4"	37 1/16"
5233859	1"	24"	24"	24"	1 7/8"	7/8"	37 1/16"
5233883	1 1/4"	24"	24"	24"	2"	1"	37 1/16"
5233873	1 1/2"	24"	24"	24"	2"	1 1/8"	37 1/16"
5133924	2"	24"	24"	24"	2"	1 1/4"	37 1/16"
5233847	2 1/2"	24"	24"	24"	3"	1 1/2"	37 1/16"
5233837	3"	24"	24"	24"	3 1/8"	1 5/8"	37 1/16"
5233893	3 1/2"	24"	24"	24"	3 1/4"	1 1/16"	37 1/16"
5233822	4"	24"	24"	24"	3 3/8"	1 3/4"	37 1/16"
XXXXXXX	5"	N/A	N/A	N/A	N/A	N/A	N/A
XXXXXXX	6"	N/A	N/A	N/A	N/A	N/A	N/A
XXXXXXX	8"	N/A	N/A	N/A	N/A	N/A	N/A



UL Listed UL651
 UL File # E34052
 UL Category Code DZYR
 UL Control Number 41UM
 Meets NEMA TC3
 See NEC Article 352 for use
 Material is Rigid PVC
 Bend Tolerance is ±2°



CANTEX INC. Fort Worth, TEXAS		
90° Elbows Bell End Schedule 40 24" Radius Elbows		
Drawn By: CD Branch	Date: 10/15/07	Ref.