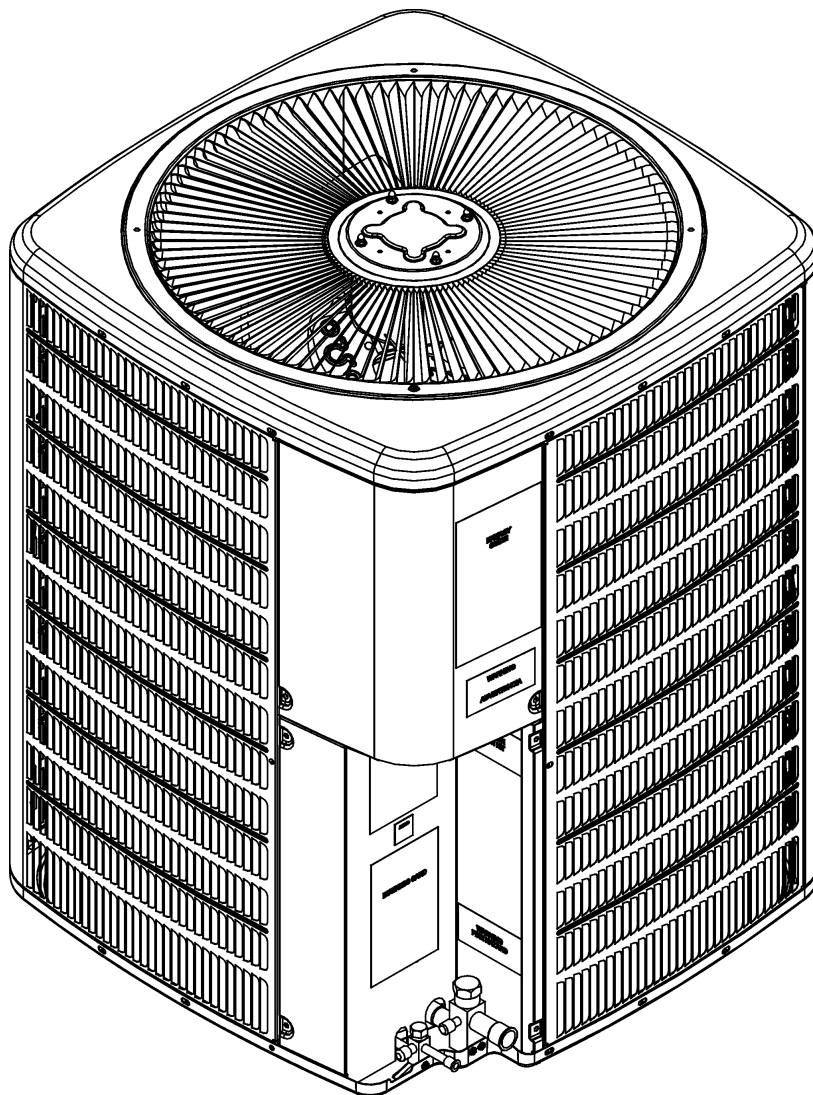


Remote Condensing Unit

GSC130181BB
GSC130181DA
GSC130181FA
GSC130181GB
GSC130241DB
GSC130241EA
GSC130241FA
GSC130241FB
GSC130241FD
GSC130301DB
GSC130301EA
GSC130301EB
GSC130301EE
GSC130361FB
GSC130361GA
GSC130361GD
GSC130363BB
GSC130363BC
GSC130363BF
GSC130421BB
GSC130421CA
GSC130481BB
GSC130481CA
GSC130483BB
GSC130483CA
GSC130601CB
GSC130603BB
GSC130604BF



This manual is to be used by qualified technicians only.

This manual replaces RP-652E.

Important Information

Index

Functional Parts List	3
Illustration and Parts	4 - 9

Views shown are for parts illustrations only, not servicing procedures.

Text Codes:

AR - As Required

NA - Not Available

NS - Not Shown

00000000 - See Note

QTY - Quantity Example (QTY 3) (If Quantity not shown, Quantity = 1)

M - Model Example (M1) (If M Code not shown, then part is used on all Models)

Expanded Model Nomenclature:

Example M1 - Model#1 M2 - Model#2 M3 - Model#3

Goodman Manufacturing Company, L.P. is not responsible for personal injury or property damage resulting from improper service. Review all service information before beginning repairs.

Warranty service must be performed by an authorized technician, using authorized factory parts. If service is required after the warranty expires, Goodman Manufacturing Company, L.P. also recommends contacting an authorized technician and using authorized factory parts.

Goodman Manufacturing Company, L.P. reserves the right to discontinue, or change at any time, specifications or designs without notice or without incurring obligations.

For assistance within the U.S.A. contact:
Consumer Affairs Department
Goodman Manufacturing Company, L.P.
7401 Security Way
Houston, Texas 77040
877-254-4729-Telephone
713-863-2382-Facsimile

For assistance outside the U.S.A. contact:
International Division
Goodman Manufacturing Company, L.P.
7401 Security Way
Houston, Texas 77040
713-861-2500-Telephone
713-863-2382-Facsimile

Functional Parts

Part

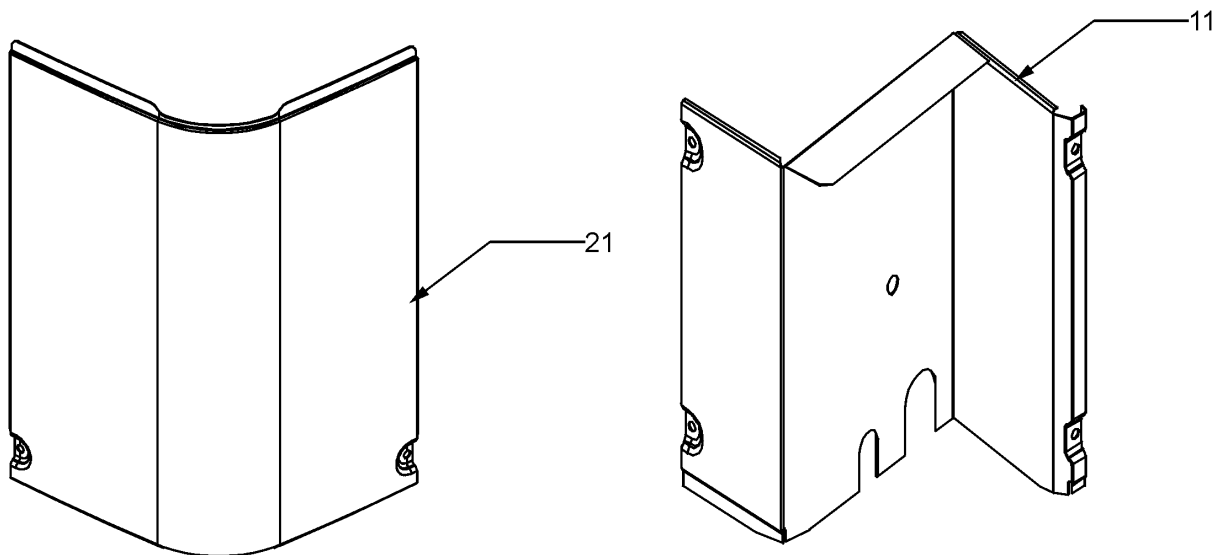
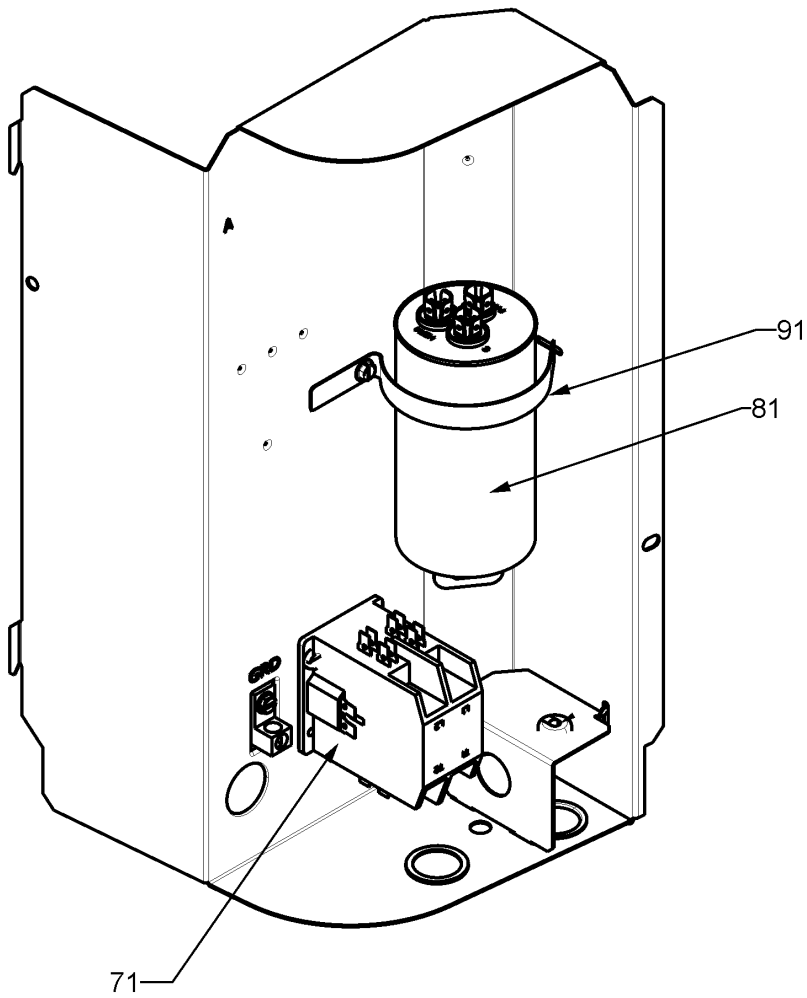
No: Description:

Part No:	Description:	Part No:	Description:
B12825171	3/8" SERVICE VALVE	0150M00006	FAN BLADE, 22" (M20, M21, M22, M23, M24, M25)
730027-2001-20	BRISTOL COMPRESSOR (M2, M3)	0131M00022	MOTOR 1/4 HP, 8 PL, 460V (M28)
730030-2001-20	BRISTOL COMPRESSOR (M6)	0151R00032	VALVE, BASE 3/4" OPEN LEFT (M1, M2, M3, M4, M5, M6, M7, M8, M9, M10, M11, M12, M13, M14, M15, M16, M17, M18, M19, M21)
730049-2003-20	BRISTOL, COMPRESSOR (M15, M16)	0151R00033	VALVE, SERVICE 7/8" OPEN LEFT (M20, M22, M23, M24, M25, M26, M27, M28)
CAP050500440CT	CAP, 5/50 MFD/440V/DUAL RD (M21)		
CAP050550440CT	CAP, 5/55 MFD/440V/DUAL RD (M20, M22, M23)		
CAP050600440CT	CAP, 5/60 MFD/440V/DUAL RD (M26)		
CAP050350440CS	CAPACITOR 5/35/440V (M1, M2, M3, M4, M5, M6, M7, M8, M9, M14)		
CAP050000370LA	CAPACITOR 5/370V (M17, M18, M19, M24, M25, M27, M28)		
CAP050400440CT	CAPACITOR 5/40/440V/DUAL RD (M10, M11, M12, M13)		
CAP050450440CT	CAPACITOR 5/45/440V/DUAL RD (M15, M16)		
ZR25K5EPFV130	COMP, 25300, 208/230/60/1 (M11, M12, M13)		
2K22S236SUC	COMP, PANASONIC (M4)		
CR14K7PFV230	COMP, 14100, 208/230/60/1 (M1)		
CR18K7PFV230	COMP, 17500, 208/230/60/1 (M5)		
ZR21K5EPFV130	COMP, 21000, 208/230/60/1 (M9)		
ZR21K5PFV130	COMP, 21000, 208/230/60/1 (M7, M8)		
CR28K7TF5230	COMP, 28000, 200/230/60/3 (M17)		
ZR28K5ETF5130	COMP, 28400, 200/230/60/3 (M18, M19)		
ZR32K5EPFV130	COMP, 32000, 208/230/60/1 (M21)		
ZR38K5ETF5130	COMP, 38000, 200/230/60/3 (M25)		
ZR38KAPFV130	COMP, 38000, 208/230/60/1 (M20)		
ZR38K5EPFV130	COMP, 38000, 208/230/60/1 (M23)		
ZR40K3PFV230	COMP, 40600, 208/230/60/1 (M22)		
ZR40K3TF5230	COMP, 40600, 208/230/60/3 (M24)		
ZR48K3PFV235	COMP, 49800, 208/230/60/1 (M26)		
CR23K7PFV230	COMPRESSOR 22600, 208/230/60/1 (M10)		
CR28K7PFV230	COMPRESSOR 28300, 208/230/60/1 (M14)		
ZR48K3TF5935	COMPRESSOR 49100, 200/230/60/3 (M27)		
ZR48K5ETFD130	COMPRESSOR, 48200, 460/60/3 (M28)		
0131M00018P	COND MOTOR 1/4 HP, 1 SP, 6 PL (M18, M19, M20, M21, M22, M23, M24, M25, M26, M27)		
0131M00060	COND MOTOR 1/6 HP, 1 SP, 8 PL (M14, M15, M16, M17)		
0131M00266	COND MOTOR 1/8 HP, 8 PL, PSC (M1, M2, M4, M5, M6, M10, M11)		
0131M00276	COND MOTOR, 1/8 HP, ISP, 6PL (M3, M7)		
0131M00593	COND MOTOR, 1/8 HP, ISP, 6PL, AL (M8, M9)		
0131M00294	COND MOTOR, 1/8HP, ISP, 6PL (M12, M13)		
CONT1P025024V	CONTACTOR 25 AMP, 1P, 24V (M1, M2, M3, M4, M5, M6, M7, M8, M9, M10, M11, M12, M13, M14, M15, M16, M20, M21, M22, M23)		
CONT3P025024V	CONTACTOR 25 AMP, 3P, 24V (M17, M18, M19, M24, M25, M27, M28)		
CONT1P030024V	CONTACTOR 30 AMP, 1P, 24V (M26)		
0150M00018	FAN BLADE 20" (M4, M6)		
0150M00012	FAN BLADE 20" CCW (M1, M2, M5, M10, M11)		
0150M00008	FAN BLADE 22" TNT2203-25 (M14, M17, M28)		
B1086750	FAN BLADE 22", 3 BLADE, 24° (M18, M19, M26, M27)		
B1086764	FAN BLADE TYPE 2 (M15, M16)		
0150M00030	FAN BLADE, 18" (M3, M7, M8, M9)		
0150M00033	FAN BLADE, 20", 3 BLADE, 24DEG (M12, M13)		

Expanded Model Nomenclature

M1 - GSC130181BB
M2 - GSC130181DA
M3 - GSC130181FA
M4 - GSC130181GB
M5 - GSC130241DB
M6 - GSC130241EA
M7 - GSC130241FA
M8 - GSC130241FB
M9 - GSC130241FD
M10 - GSC130301DB
M11 - GSC130301EA
M12 - GSC130301EB
M13 - GSC130301EE
M14 - GSC130361FB
M15 - GSC130361GA
M16 - GSC130361GD
M17 - GSC130363BB
M18 - GSC130363BC
M19 - GSC130363BF
M20 - GSC130421BB
M21 - GSC130421CA
M22 - GSC130481BB
M23 - GSC130481CA
M24 - GSC130483BB
M25 - GSC130483CA
M26 - GSC130601CB
M27 - GSC130603BB
M28 - GSC130604BF

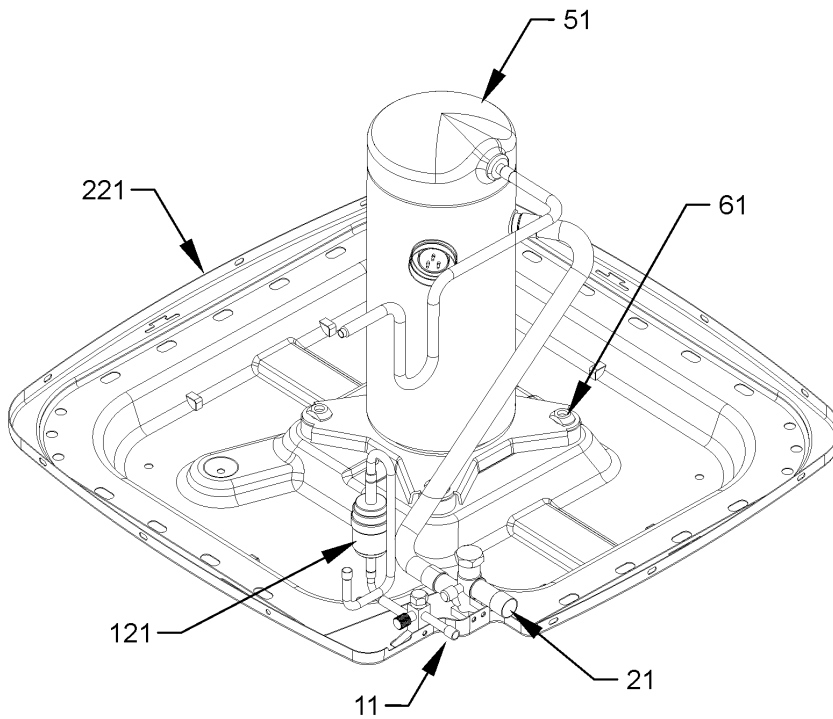
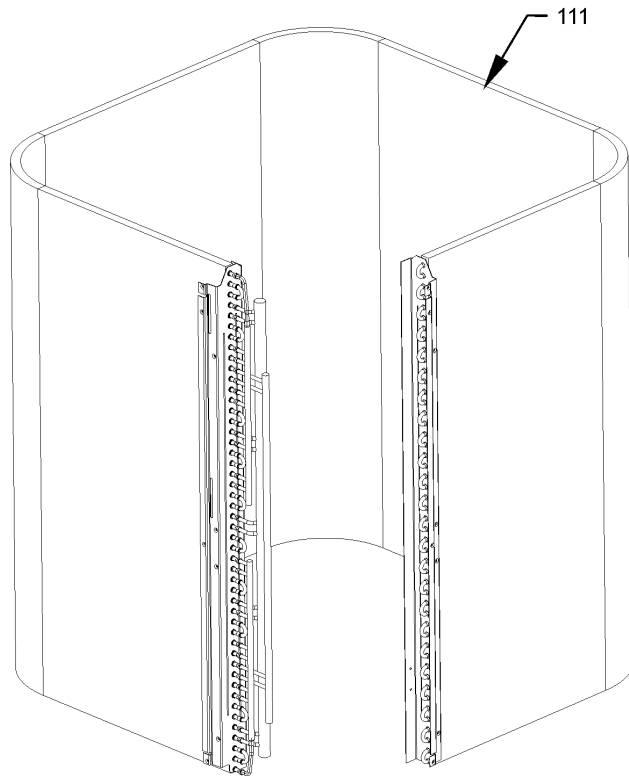
Control Cover/Control Box



Control Cover/Control Box

Ref. Part No:	Description:	Ref. Part No:	Description:
<i>Image 1:</i>		Expanded Model Nomenclature	
11	0121R00265PDG PANEL, LOWER ACCESS PNT (M3, M7, M8, M9)	M1 -	GSC130181BB
11	0121R00316PDG PANEL, LOWER ACCESS PNT (M26, M27, M28)	M2 -	GSC130181DA
11	0121R00319PDG PANEL, LOWER ACCESS PNT (M22, M23, M24, M25)	M3 -	GSC130181FA
11	0121R00323PDG PANEL, LOWER ACCESS PNT (M10, M11, M12, M13, M14, M15, M16, M17, M18, M19, M20, M21)	M4 -	GSC130181GB
11	0121R00326PDG PANEL, LOWER ACCESS PNT (M1, M2, M4, M5, M6)	M5 -	GSC130241DB
21	0121R00053PDG CONTROL COVER (M1, M2, M4, M5, M6, M10, M11, M12, M13, M14, M15, M16, M17, M18, M19, M20, M21, M22, M23, M24, M25, M26, M27, M28)	M6 -	GSC130241EA
21	0121R00268PDG CONTROL COVER (M3, M7, M8, M9)	M7 -	GSC130241FA
71	CONT1P025024V CONTACTOR 25 AMP, 1P, 24V (M1, M2, M3, M4, M5, M6, M7, M8, M9, M10, M11, M12, M13, M14, M15, M16, M20, M21, M22, M23)	M8 -	GSC130241FB
71	CONT3P025024V CONTACTOR 25 AMP, 3P, 24V (M17, M18, M19, M24, M25, M27, M28)	M9 -	GSC130241FD
71	CONT1P030024V CONTACTOR 30 AMP, 1P, 24V (M26)	M10 -	GSC130301DB
81	CAP050500440CT CAP, 5/50 MFD/440V/DUAL RD (M21)	M11 -	GSC130301EA
81	CAP050550440CT CAP, 5/55 MFD/440V/DUAL RD (M20, M22, M23)	M12 -	GSC130301EB
81	CAP050600440CT CAP, 5/60 MFD/440V/DUAL RD (M26)	M13 -	GSC130301EE
81	CAP050350440CS CAPACITOR 5/35/440V (M1, M2, M3, M4, M5, M6, M7, M8, M9, M14)	M14 -	GSC130361FB
81	CAP050000370LA CAPACITOR 5/370V (M17, M18, M19, M24, M25, M27, M28)	M15 -	GSC130361GA
81	CAP050400440CT CAPACITOR 5/40/440V/DUAL RD (M10, M11, M12, M13)	M16 -	GSC130361GD
81	CAP050450440CT CAPACITOR 5/45/440V/DUAL RD (M15, M16)	M17 -	GSC130363BB
91	4400065 CAPACITOR STRAP	M18 -	GSC130363BC
		M19 -	GSC130363BF
		M20 -	GSC130421BB
		M21 -	GSC130421CA
		M22 -	GSC130481BB
		M23 -	GSC130481CA
		M24 -	GSC130483BB
		M25 -	GSC130483CA
		M26 -	GSC130601CB
		M27 -	GSC130603BB
		M28 -	GSC130604BF

Coil/Compressor/Tubing Assembly



Coil/Compressor/Tubing Assembly

Ref. Part No:	Ref. Part No:	Description:	Description:
Image 1:		Image 1:	
11	B12825171	3/8" SERVICE VALVE	NS 0159R00008 COMPRESSOR SCROLL HARNESS (M25, M28)
21	0151R00032	VALVE, BASE 3/4" OPEN LEFT (M1, M2, M3, M4, M5, M6, M7, M8, M9, M10, M11, M12, M13, M14, M15, M16, M17, M18, M19, M21)	NS 0159R00009 COMPRESSOR SCROLL HARNESS (M18, M19)
21	0151R00033	VALVE, SERVICE 7/8" OPEN LEFT (M20, M22, M23, M24, M25, M26, M27, M28)	NS B1789890 FLOW CHECK PISTON KIT (M28)
51	730027-2001-20	BRISTOL COMPRESSOR (M2, M3)	NS B1789855 FLOW CHECK PISTON KIT .055 (M1, M2, M3, M4)
51	730030-2001-20	BRISTOL COMPRESSOR (M6)	NS B1789861 FLOW CHECK PISTON KIT .061 (M7, M8, M9)
51	730049-2003-20	BRISTOL, COMPRESSOR (M15, M16)	NS B1789865 FLOW CHECK PISTON KIT .065 (M12, M13)
51	ZR25K5EPFV130	COMP, 25300, 208/230/60/1 (M11, M12, M13)	NS B1789871 FLOW CHECK PISTON KIT .071 (M18, M19)
51	2K22S236SUC	COMP, PANASONIC (M4)	NS B1789874 FLOW CHECK PISTON KIT .074 (M15, M16, M17)
51	CR14K7PFV230	COMP,14100,208/230/60/1 (M1)	NS B1789876 FLOW CHECK PISTON KIT .076 (M21)
51	CR18K7PFV230	COMP,17500,208/230/60/1 (M5)	NS B1789882 FLOW CHECK PISTON KIT .082 (M23, M25)
51	ZR21K5EPFV130	COMP,21000,208/230/60/1 (M9)	NS B1789884 FLOW CHECK PISTON KIT .084 (M20)
51	ZR21K5PFV130	COMP,21000,208/230/60/1 (M7, M8)	NS B1789888 FLOW CHECK PISTON KIT .088 (M22, M24)
51	CR28K7TF5230	COMP,28000,200/230/60/3 (M17)	NS B1789893 FLOW CHECK PISTON KIT .093 (M26, M27)
51	ZR28K5ETF5130	COMP,28400,200/230/60/3 (M18, M19)	NS 0161R00009P NAMEPLATE
51	ZR32K5EPFV130	COMP,32000,208/230/60/1 (M21)	NS 0121R00297 RAIN SHIELD (M3, M7, M8, M9)
51	ZR38K5ETF5130	COMP,38000,200/230/60/3 (M25)	NS M0221641 TF SHOULDER SCREW (QTY 4)
51	ZR38K5EPFV130	COMP,38000,208/230/60/1 (M23)	
51	ZR38KAPFV130	COMP,38000,208/230/60/1 (M20)	
51	ZR40K3PFV230	COMP,40600,208/230/60/1 (M22)	
51	ZR40K3TF5230	COMP,40600,208/230/60/3 (M24)	
51	ZR48K3PFV235	COMP,49800,208/230/60/1 (M26)	
51	CR23K7PFV230	COMPRESSOR 22600, 208/230/60/1 (M10)	
51	CR28K7PFV230	COMPRESSOR 28300, 208/230/60/1 (M14)	
51	ZR48K3TF5935	COMPRESSOR 49100, 200/230/60/3 (M27)	
51	ZR48K5ETFD130	COMPRESSOR,48200,460/60/3 (M28)	
61	B1339530	COMPRESSOR GROMMET (M1, M5, M10, M14, M17)	
61	B1339533	COMPRESSOR GROMMET (M2, M3, M6, M7, M8, M9, M11, M12, M13, M15, M16, M18, M19, M20, M21, M22, M23, M24, M25, M26, M27, M28)	
61	0164M00000P	COMPRESSOR GROMMET-PANASONIC (M4)	
111	0201R00177S	COIL TUBING ASSY (M1, M2, M5, M6)	
111	0201R00383	COIL TUBING ASSY (M7, M8)	
111	0201R00398	COIL TUBING ASSY (M3)	
111	0201R00429	COIL TUBING ASSY (M25)	
111	0201R00523	COIL TUBING ASSY (M16, M19)	
111	0201R00524	COIL TUBING ASSY (M28)	
111	0201R00527	COIL TUBING ASSY (M9)	
111	0201R00530	COIL TUBING ASSY (M4)	
111	0201R00534	COIL TUBING ASSY (M13)	
111	0201R00232	TUBING ASSY, COND COIL (M10, M11, M12)	
111	0201R00238	TUBING ASSY, COND COIL (M14, M15, M17, M18, M21)	
111	0201R00249	TUBING ASSY, COND COIL (M22, M23, M24)	
111	0201R00262	TUBING ASSY, COND COIL (M26, M27)	
111	0201R00279S	TUBING ASSY, COND COIL (M20)	
121	B1219212	SINGLE-FLOW FILTER DRIER, STEEL	
221	0121R00005PDG	BASE PAN 26" (M1, M2, M4, M5, M6, M10, M11, M12, M13)	
221	0121R00006PDG	BASE PAN 29" (M14, M15, M16, M17, M18, M19, M20, M21, M22, M23, M24, M25, M26, M27, M28)	
221	0121R00272PDG	BASE PAN, 23" (M3, M7, M8, M9)	
NS	0159R00000P	COMPRESSOR SCROLL HARNESS (M7, M8, M9, M11, M12, M13)	
NS	0159R00001P	COMPRESSOR SCROLL HARNESS (M20, M21, M23)	
		Expanded Model Nomenclature	
		M1 - GSC130181BB	
		M2 - GSC130181DA	
		M3 - GSC130181FA	
		M4 - GSC130181GB	
		M5 - GSC130241DB	
		M6 - GSC130241EA	
		M7 - GSC130241FA	
		M8 - GSC130241FB	
		M9 - GSC130241FD	
		M10 - GSC130301DB	
		M11 - GSC130301EA	
		M12 - GSC130301EB	
		M13 - GSC130301EE	
		M14 - GSC130361FB	
		M15 - GSC130361GA	
		M16 - GSC130361GD	
		M17 - GSC130363BB	
		M18 - GSC130363BC	
		M19 - GSC130363BF	
		M20 - GSC130421BB	
		M21 - GSC130421CA	
		M22 - GSC130481BB	
		M23 - GSC130481CA	
		M24 - GSC130483BB	
		M25 - GSC130483CA	
		M26 - GSC130601CB	
		M27 - GSC130603BB	
		M28 - GSC130604BF	

Cabinet Top/Side Panels

Ref. Part No:	No:	Description:	Ref. Part No:	No:	Description:																												
Image 1:			Image 1:																														
11	0121R00270PDG	PANEL, TOP, PNT DG (M3, M7, M8, M9)	NS	0161R00032	CONDUIT (M3, M7, M8, M9)																												
11	0121R00008PDG	TOP PANEL 26" (M1, M2, M4, M5, M6, M10, M11, M12, M13)	Image 2:																														
11	0121R00010PDG	TOP PANEL 29" (M14, M15, M16, M17, M18, M19, M20, M21, M22, M23, M24, M25, M26, M27, M28)	112	0121R00347PDG	Louver Post, PDG 23.73 (M4)																												
21	0131M00018P	COND MOTOR 1/4 HP, 1 SP, 6 PL (M18, M19, M20, M21, M22, M23, M24, M25, M26, M27)	112	0121R00280PDG	Louver Post, PDG 23_25.2 (M3, M7, M8, M9)																												
21	0131M00060	COND MOTOR 1/6 HP, 1 SP, 8 PL (M14, M15, M16, M17)	112	0121R00350PDG	Louver Post, PDG 28.73 (M13, M16, M19)																												
21	0131M00266	COND MOTOR 1/8 HP, 8 PL, PSC (M1, M2, M4, M5, M6, M10, M11)	112	0121R00354PDG	Louver Post, PDG 36.30 (M28)																												
21	0131M00276	COND MOTOR, 1/8 HP, ISP, 6PL (M3, M7)	122	0121R00274PDGRS	Louver Panel, PDG 23_25.2 (M3, M7, M8, M9)																												
21	0131M00593	COND MOTOR, 1/8 HP, ISP, 6PL, AL (M8, M9)	122	0121R00336PDGRS	Louver Panel, PDG 26"_23.73 (M4)																												
21	0131M00294	COND MOTOR, 1/8HP, ISP, 6PL (M12, M13)	122	0121R00337PDGRS	Louver Panel, PDG 26"_28.73 (M13)																												
21	0131M00022	MOTOR 1/4 HP, 8 PL, 460V (M28)	122	0121R00342PDGRS	Louver Panel, PDG 29"_28.73 (M16, M19)																												
41	0163M00006P	ACORN NUT 5/16 HEX BLACK (QTY 4)	122	0121R00346PDGRS	Louver Panel, PDG 29"_36.30 (M28)																												
51	0150M00018	FAN BLADE 20" (M4, M6)	132	0121R00274PDGLS	Louver Panel, PDG 23_25.2 (M3, M7, M8, M9)																												
51	0150M00012	FAN BLADE 20" CCW (M1, M2, M5, M10, M11)	132	0121R00336PDGLS	Louver Panel, PDG 26"_23.73 (M4)																												
51	0150M00008	FAN BLADE 22" TNT2203-25 (M14, M17, M28)	132	0121R00337PDGLS	Louver Panel, PDG 26"_28.73 (M13)																												
51	B1086750	FAN BLADE 22", 3 BLADE, 24° (M18, M19, M26, M27)	132	0121R00342PDGLS	Louver Panel, PDG 29"_28.73 (M16, M19)																												
51	B1086764	FAN BLADE TYPE 2 (M15, M16)	132	0121R00346PDGLS	Louver Panel, PDG 29"_36.30 (M28)																												
51	0150M00030	FAN BLADE, 18" (M3, M7, M8, M9)	Expanded Model Nomenclature																														
51	0150M00033	FAN BLADE, 20", 3 BLADE, 24DEG (M12, M13)	<table border="1"> <tr><td>M1 - GSC130181BB</td></tr> <tr><td>M2 - GSC130181DA</td></tr> <tr><td>M3 - GSC130181FA</td></tr> <tr><td>M4 - GSC130181GB</td></tr> <tr><td>M5 - GSC130241DB</td></tr> <tr><td>M6 - GSC130241EA</td></tr> <tr><td>M7 - GSC130241FA</td></tr> <tr><td>M8 - GSC130241FB</td></tr> <tr><td>M9 - GSC130241FD</td></tr> <tr><td>M10 - GSC130301DB</td></tr> <tr><td>M11 - GSC130301EA</td></tr> <tr><td>M12 - GSC130301EB</td></tr> <tr><td>M13 - GSC130301EE</td></tr> <tr><td>M14 - GSC130361FB</td></tr> <tr><td>M15 - GSC130361GA</td></tr> <tr><td>M16 - GSC130361GD</td></tr> <tr><td>M17 - GSC130363BB</td></tr> <tr><td>M18 - GSC130363BC</td></tr> <tr><td>M19 - GSC130363BF</td></tr> <tr><td>M20 - GSC130421BB</td></tr> <tr><td>M21 - GSC130421CA</td></tr> <tr><td>M22 - GSC130481BB</td></tr> <tr><td>M23 - GSC130481CA</td></tr> <tr><td>M24 - GSC130483BB</td></tr> <tr><td>M25 - GSC130483CA</td></tr> <tr><td>M26 - GSC130601CB</td></tr> <tr><td>M27 - GSC130603BB</td></tr> <tr><td>M28 - GSC130604BF</td></tr> </table>			M1 - GSC130181BB	M2 - GSC130181DA	M3 - GSC130181FA	M4 - GSC130181GB	M5 - GSC130241DB	M6 - GSC130241EA	M7 - GSC130241FA	M8 - GSC130241FB	M9 - GSC130241FD	M10 - GSC130301DB	M11 - GSC130301EA	M12 - GSC130301EB	M13 - GSC130301EE	M14 - GSC130361FB	M15 - GSC130361GA	M16 - GSC130361GD	M17 - GSC130363BB	M18 - GSC130363BC	M19 - GSC130363BF	M20 - GSC130421BB	M21 - GSC130421CA	M22 - GSC130481BB	M23 - GSC130481CA	M24 - GSC130483BB	M25 - GSC130483CA	M26 - GSC130601CB	M27 - GSC130603BB	M28 - GSC130604BF
M1 - GSC130181BB																																	
M2 - GSC130181DA																																	
M3 - GSC130181FA																																	
M4 - GSC130181GB																																	
M5 - GSC130241DB																																	
M6 - GSC130241EA																																	
M7 - GSC130241FA																																	
M8 - GSC130241FB																																	
M9 - GSC130241FD																																	
M10 - GSC130301DB																																	
M11 - GSC130301EA																																	
M12 - GSC130301EB																																	
M13 - GSC130301EE																																	
M14 - GSC130361FB																																	
M15 - GSC130361GA																																	
M16 - GSC130361GD																																	
M17 - GSC130363BB																																	
M18 - GSC130363BC																																	
M19 - GSC130363BF																																	
M20 - GSC130421BB																																	
M21 - GSC130421CA																																	
M22 - GSC130481BB																																	
M23 - GSC130481CA																																	
M24 - GSC130483BB																																	
M25 - GSC130483CA																																	
M26 - GSC130601CB																																	
M27 - GSC130603BB																																	
M28 - GSC130604BF																																	
51	0150M00006	FAN BLADE, 22" (M20, M21, M22, M23, M24, M25)																															
61	0161L00000	VENTURI RING 22" (M14, M15, M16, M17, M18, M19, M20, M21, M22, M23, M24, M25, M26, M27, M28)																															
111	0121R00102PDGB	LOUVERED SIDE PANEL [LT OF CNTL PNL] (M1, M2, M5, M6)																															
111	0121R00125PDGB	LOUVERED SIDE PANEL [LT OF CNTL PNL] (M14, M15, M17, M18, M20, M21)																															
111	0121R00127PDG	LOUVERED SIDE PANEL [LT OF CNTL PNL] (M22, M23, M24, M25)																															
111	0121R00171PDGB	LOUVERED SIDE PANEL [LT OF CNTL PNL] (M10, M11, M12)																															
111	0121R00175PDG	LOUVERED SIDE PANEL [LT OF CNTL PNL] (M26, M27)																															
121	0121R00109PDGB	LOUVERED SIDE PANEL (M1, M2, M5, M6)																															
121	0121R00132PDGB	LOUVERED SIDE PANEL (M14, M15, M17, M18, M20, M21)																															
121	0121R00134PDGB	LOUVERED SIDE PANEL (M22, M23, M24, M25)																															
121	0121R00172PDGB	LOUVERED SIDE PANEL (M10, M11, M12)																															
121	0121R00176PDGB	LOUVERED SIDE PANEL (M26, M27)																															
131	0121R00177PDG	LOUVERED SIDE PANEL (M26, M27)																															
131	0121R00139PDG	LOUVERED SIDE PANEL [RT OF CNTL PNL] (M14, M15, M17, M18, M20, M21)																															
131	0121R00116	LOUVERED SIDE PANEL [RT OF CNTL PNL] (M1, M2, M5, M6)																															
131	0121R00141PDG	LOUVERED SIDE PANEL [RT OF CNTL PNL] (M22, M23, M24, M25)																															
131	0121R00173PDG	LOUVERED SIDE PANEL [RT OF CNTL PNL] (M10, M11, M12)																															
NS	0161R00001P	CONDUIT (M1, M2, M4, M5, M6, M10, M11, M12, M13)																															
NS	0161R00002P	CONDUIT (M14, M15, M16, M17, M18, M19, M20, M21, M22, M23, M24, M25, M26, M27, M28)																															