

SWANSTONE CLASSICS

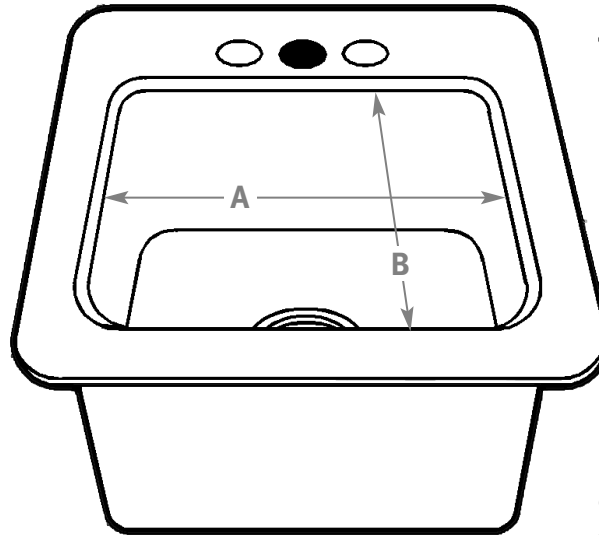
Manufactured from Swanstone solid surface
(see page 2 for detailed information)

Recommended for high use traffic areas and commercial surfaces

WARRANTY
Limited Lifetime – Residential
Limited 10-year – Commercial

FEATURES

- Solid surface style in your entertainment space
- Renewable surface will not wear away
- Hot pots and boiling water will not harm it
- Highest resistance of impact from heavy objects
- Easily accommodates all faucet styles
- Heat, stain and scratch resistance for lasting beauty
- Matching or contrasting countertops available. Contact a Swanstone representative for more information.



○ Drill Points ● Pre-drilled

BS-1515 Bowl Size
6" (152 mm) deep bowl
A 12", B 10"

SPECIFICATIONS

BS-1515 Entertainment Sink ■ SWANSTONE CLASSICS

Model	Part	Dimensions	Ship Wt. Lb.	Ship UPS	Carton Dims. In.	Cu. Ft.
BS-1515	BS01515	15" W x 15" D (381 mm x 381 mm)	10	UPS	19 x 18 x 8	1.59

COLORS (See pg. 145 for color sample.)

- White (010)
- Bone (037)
- Bisque (018)
- Shell Rose (031)
- Almond Galaxy (046)
- Arctic Granite (035)
- Barley (091)
- Bermuda Sand (040)
- Country Blue Granite (044)
- Gray Granite (042)
- Green Pasture (095)
- Mocha Galaxy (045)
- Rose Granite (043)
- Sierra (094)
- Tahiti Blue (056)
- Tahiti Desert (050)
- Tahiti Evergreen (057)
- Tahiti Gray (053)
- Tahiti Ivory (059)
- Tahiti Matrix (058)
- Tahiti Rose (052)
- Tahiti Sand (051)
- Tahiti Terra (055)
- Tahiti White (011)
- Cornflower (063)
- Ironweed (061)
- Night Sky (012)
- Prairie Clover (023)
- Purple Sage (064)
- Sawgrass (062)
- Wild Indigo (022)
- Winter Wheat (060)
- Indian Grass (071)
- Black Galaxy (015)
- Pebble (072)
- Shell (073)
- Seafoam (074)
- Wild Oat (096)

ACCESSORIES

- BS-CB Teak Cutting Board

See page 18 for complete listing of all kitchen sink accessories.

STANDARDS AND RATINGS

- Class 1A fire rating
- American National Standard Institute—ANSI Z124.3 and Z124.6
- International Association of Plumbing and Mechanical Officials (IAPMO)—listed
- Canadian Standard Association (CSA)—listed
- National Sanitation Foundation-NSF Splash Zone, -NSF Food Zone
- American Society for Testing and Materials
- National Electrical Manufacturers Association

For a complete list of tests and results see the Technical Data Sheet – page 136.

SUPPORT DOCUMENTS

Installation instructions available on line at www.swanstone.com

MAINTENANCE AND CLEANING INFORMATION

Clean your Swanstone kitchen sink with powdered abrasive cleaners. Use of a Scotch-Brite pad is recommended to remove stubborn stains. Occasional use of a mild bleach and water solution ensures that the original luster is maintained.