

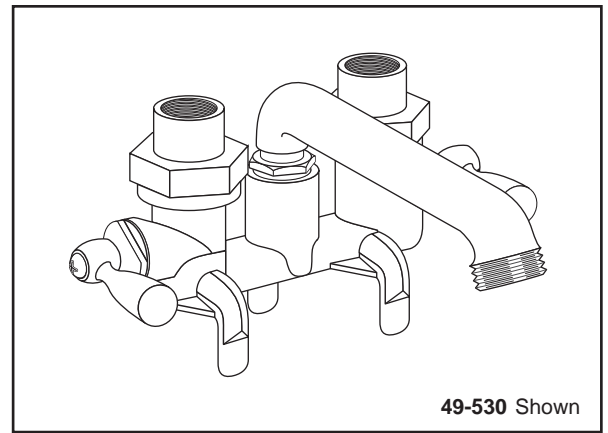


Two Handle Laundry Faucet



Features:

- Cast brass body - rough brass finish
- Attached metal handles
- Compression valves
- Working parts can be easily replaced
- Cast spout with hose connection
- Clamp-on mounting
- 1/2" IPS or 1/2" nominal copper sweat connections



Standards & Certifications:

- ASME A112.18.1M
- CABO/ANSI A117.1 (ADA)
- IAPMO/cUPC
- MASS code

Catalog Numbers:

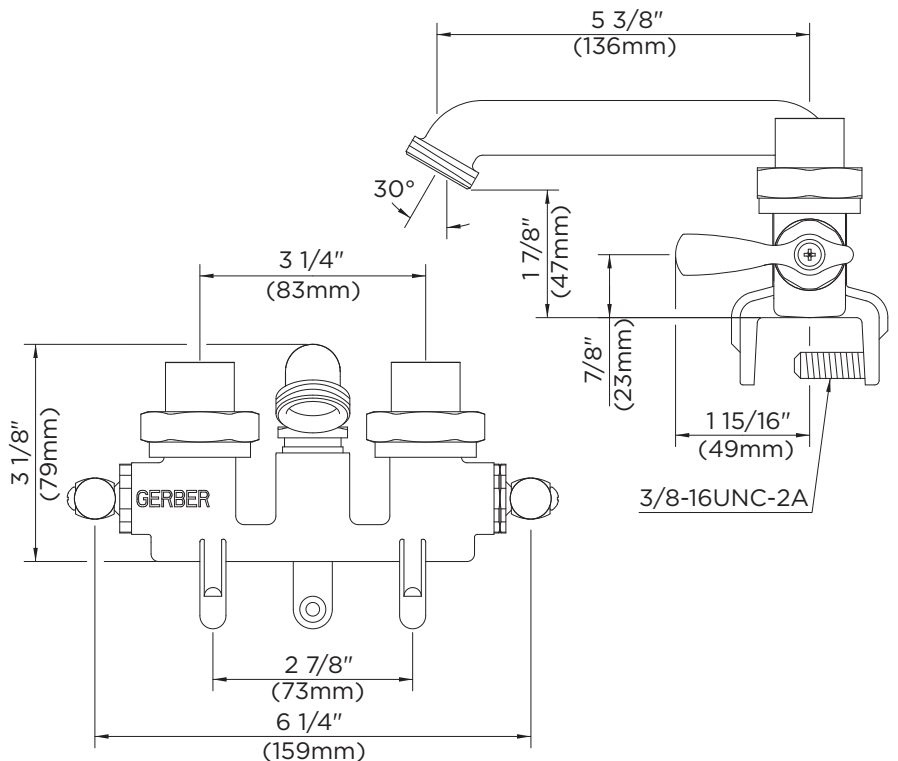
- 49-530** IPS/Sweat, Rough Brass
- 49-531** Direct Sweat, Rough Brass
- 49-535** IPS/Sweat, Rough Brass
- 49-536** Direct Sweat, Rough Brass

Prefixes Available:

None

Suffixes Available

None



Job Name	
Date	
Model Specified	
Quantity	
Customer	
Contractor	
Architect/engineer	

Gerber Toll Free Technical Support: 888-648-6466
www.gerberonline.com