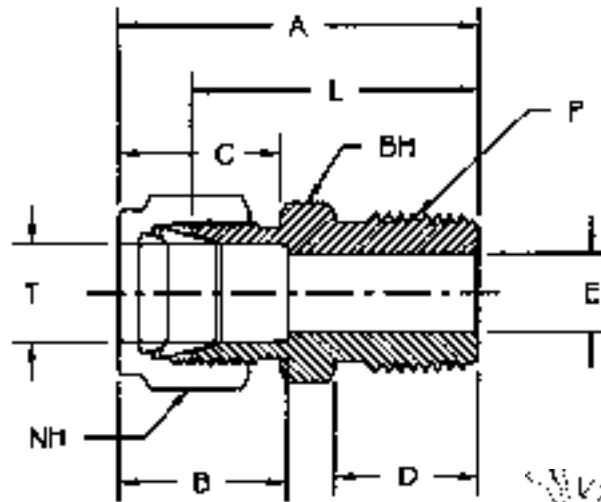
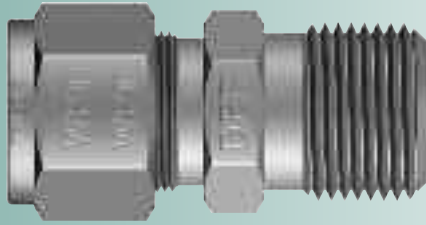


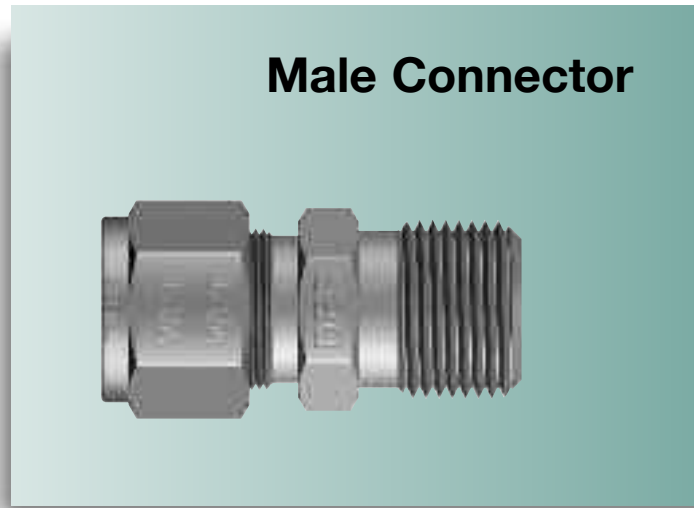
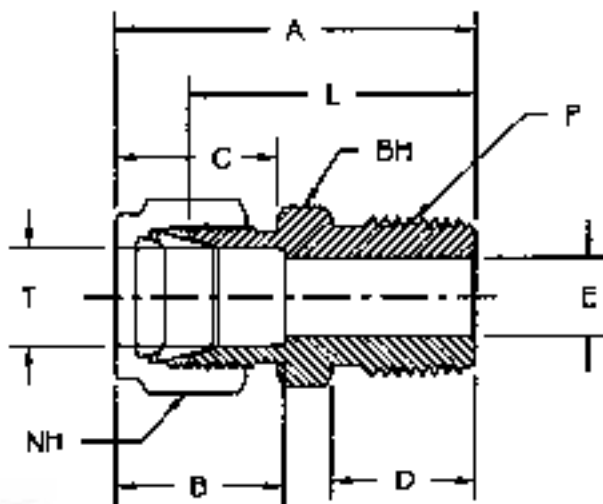
Male Connector



PART NUMBER	INTERCHANGES WITH	T TUBE O.D.	P PIPE END NPT	A	B	C	D	E ¹ THRU HOLE	L	NH NUT HEX	BH BODY HEX	
1-DMC-1	100-1-1	1MSC1N	1/16	1/16	.937	.344	.437	.375	.052	.797	5/16	5/16
1-DMC-2	100-1-2	1MSC2N	1/16	1/8	1.031	.344	.437	.375	.052	.875	5/16	7/16
2-DMC-1	200-1-1	2MSC1N	1/8	1/16	1.172	.500	.609	.375	.094	.906	7/16	7/16
2-DMC-2	200-1-2	2MSC2N	1/8	1/8	1.203	.500	.609	.375	.094	.937	7/16	7/16
2-DMC-4	200-1-4	2MSC4N	1/8	1/4	1.406	.500	.609	.562	.094	1.140	7/16	9/16
2-DMC-6	200-1-6	2MSC6N	1/8	3/8	1.406	.500	.609	.562	.094	1.156	7/16	11/16
2-DMC-8	200-1-8	2MSC8N	1/8	1/2	1.656	.500	.609	.750	.094	1.406	7/16	7/8
3-DMC-2	300-1-2	3MSC2N	3/16	1/8	1.234	.546	.625	.375	.125	.969	1/2	7/16
3-DMC-4	300-1-4	3MSC4N	3/16	1/4	1.437	.546	.625	.562	.125	1.171	1/2	9/16
4-DMC-1	400-1-1	4MSC1N	1/4	1/16	1.299	.609	.703	.375	.125	1.000	9/16	1/2
4-DMC-2	400-1-2	4MSC2N	1/4	1/8	1.299	.609	.703	.375	.187	1.000	9/16	1/2
4-DMC-4	400-1-4	4MSC4N	1/4	1/4	1.484	.609	.703	.562	.187	1.203	9/16	9/16
4-DMC-6	400-1-6	4MSC6N	1/4	3/8	1.516	.609	.703	.562	.187	1.219	9/16	11/16
4-DMC-8	400-1-8	4MSC8N	1/4	1/2	1.766	.609	.703	.750	.187	1.469	9/16	7/8
4-DMC-12	400-1-12	4MSC12N	1/4	3/4	1.828	.609	.703	.750	.187	1.531	9/16	1-1/16
4-DMC-16	400-1-16	4MSC16N	1/4	1	2.109	.609	.703	.937	.187	1.812	9/16	1-3/8
5-DMC-2	500-1-2	5MSC2N	5/16	1/8	1.343	.641	.734	.375	.187	1.047	5/8	9/16
5-DMC-4	500-1-4	5MSC4N	5/16	1/4	1.516	.641	.734	.562	.250	1.234	5/8	9/16
5-DMC-6	500-1-6	5MSC6N	5/16	3/8	1.547	.641	.734	.562	.250	1.250	5/8	11/16
5-DMC-8	500-1-8	5MSC8N	5/16	1/2	1.765	.641	.734	.750	.250	1.468	5/8	7/8
6-DMC-2	600-1-2	6MSC2N	3/8	1/8	1.390	.656	.766	.375	.187	1.109	11/16	5/8
6-DMC-4	600-1-4	6MSC4N	3/8	1/4	1.578	.656	.766	.562	.281	1.281	11/16	5/8
6-DMC-6	600-1-6	6MSC6N	3/8	3/8	1.578	.656	.766	.562	.281	1.281	11/16	11/16
6-DMC-8	600-1-8	6MSC8N	3/8	1/2	1.828	.656	.766	.750	.281	1.531	11/16	7/8
6-DMC-12	600-1-12	6MSC12N	3/8	3/4	1.875	.656	.766	.750	.281	1.593	11/16	1-1/16
6-DMC-16	600-1-16	6MSC16N	3/8	1	2.141	.656	.766	.937	.281	1.843	11/16	1-3/8

NOTE: All dimensions subject to change, to be used for reference only.

¹ The E dimension is the minimum opening. These fittings may have a larger opening at the pipe/straight thread end.



Male Connector



PART NUMBER	INTERCHANGES WITH	T TUBE O.D.	P PIPE END NPT	A	B	C	D	E ¹ THRU HOLE	L	NH NUT HEX	BH BODY HEX	
8-DMC-2	810-1-2	8MSC2N	1/2	1/8	1.531	.906	.859	.375	.187	1.125	7/8	13/16
8-DMC-4	810-1-4	8MSC4N	1/2	1/4	1.719	.906	.859	.562	.281	1.312	7/8	13/16
8-DMC-6	810-1-6	8MSC6N	1/2	3/8	1.719	.906	.859	.562	.375	1.312	7/8	13/16
8-DMC-8	810-1-8	8MSC8N	1/2	1/2	1.937	.906	.859	.750	.406	1.531	7/8	7/8
8-DMC-12	810-1-12	8MSC12N	1/2	3/4	1.984	.906	.859	.750	.406	1.593	7/8	1-1/16
8-DMC-16	810-1-16	8MSC16N	1/2	1	2.250	.906	.859	.937	.406	1.859	7/8	1-3/8
10-DMC-4	1010-1-4	10MSC4N	5/8	1/4	1.934	.969	.859	.562	.281	1.343	1	15/16
10-DMC-6	1010-1-6	10MSC6N	5/8	3/8	1.934	.969	.859	.562	.375	1.343	1	15/16
10-DMC-8	1010-1-8	10MSC8N	5/8	1/2	1.937	.969	.859	.750	.469	1.531	1	15/16
10-DMC-12	1010-1-12	10MSC12N	5/8	3/4	1.984	.969	.859	.750	.500	1.593	1	1-1/16
10-DMC-16	1010-1-16	10MSC16N	5/8	1	2.172	.969	.859	.937	.500	1.781	1	1-3/8
12-DMC-4	1210-1-4	12MSC4N	3/4	1/4	1.796	.969	.859	.562	.281	1.405	1-1/8	1-1/8
12-DMC-6	1210-1-6	12MSC6N	3/4	3/8	1.796	.969	.859	.562	.375	1.405	1-1/8	1-1/8
12-DMC-8	1210-1-8	12MSC8N	3/4	1/2	1.984	.969	.859	.750	.468	1.593	1-1/8	1-1/16
12-DMC-12	1210-1-12	12MSC12N	3/4	3/4	1.984	.969	.859	.750	.625	1.593	1-1/8	1-1/16
12-DMC-16	1210-1-16	12MSC16N	3/4	1	2.250	.969	.859	.937	.625	1.859	1-1/8	1-3/8
14-DMC-8	1410-1-8	14MSC8N	7/8	1/2	1.984	1.015	.859	.750	.468	1.593	1-1/4	1-1/4
14-DMC-12	1410-1-12	14MSC12N	7/8	3/4	1.984	1.015	.859	.750	.625	1.593	1-1/4	1-3/16
14-DMC-16	1410-1-16	14MSC16N	7/8	1	2.250	1.015	.859	.937	.718	1.859	1-1/4	1-3/8
16-DMC-4	1610-1-4	16MSC4N	1	1/4	2.055	1.234	1.046	.562	.281	1.562	1-1/2	1-3/8
16-DMC-6	1610-1-6	16MSC6N	1	3/8	2.055	1.234	1.046	.562	.375	1.562	1-1/2	1-3/8
16-DMC-8	1610-1-8	16MSC8N	1	1/2	2.265	1.234	1.046	.750	.468	1.781	1-1/2	1-3/8
16-DMC-12	1610-1-12	16MSC12N	1	3/4	2.265	1.234	1.046	.750	.625	1.781	1-1/2	1-3/8
16-DMC-16	1610-1-16	16MSC16N	1	1	2.453	1.234	1.046	.937	.875	1.969	1-1/2	1-3/8

NOTE: All dimensions subject to change, to be used for reference only.

¹ The E dimension is the minimum opening. These fittings may have a larger opening at the pipe/straight thread end.