

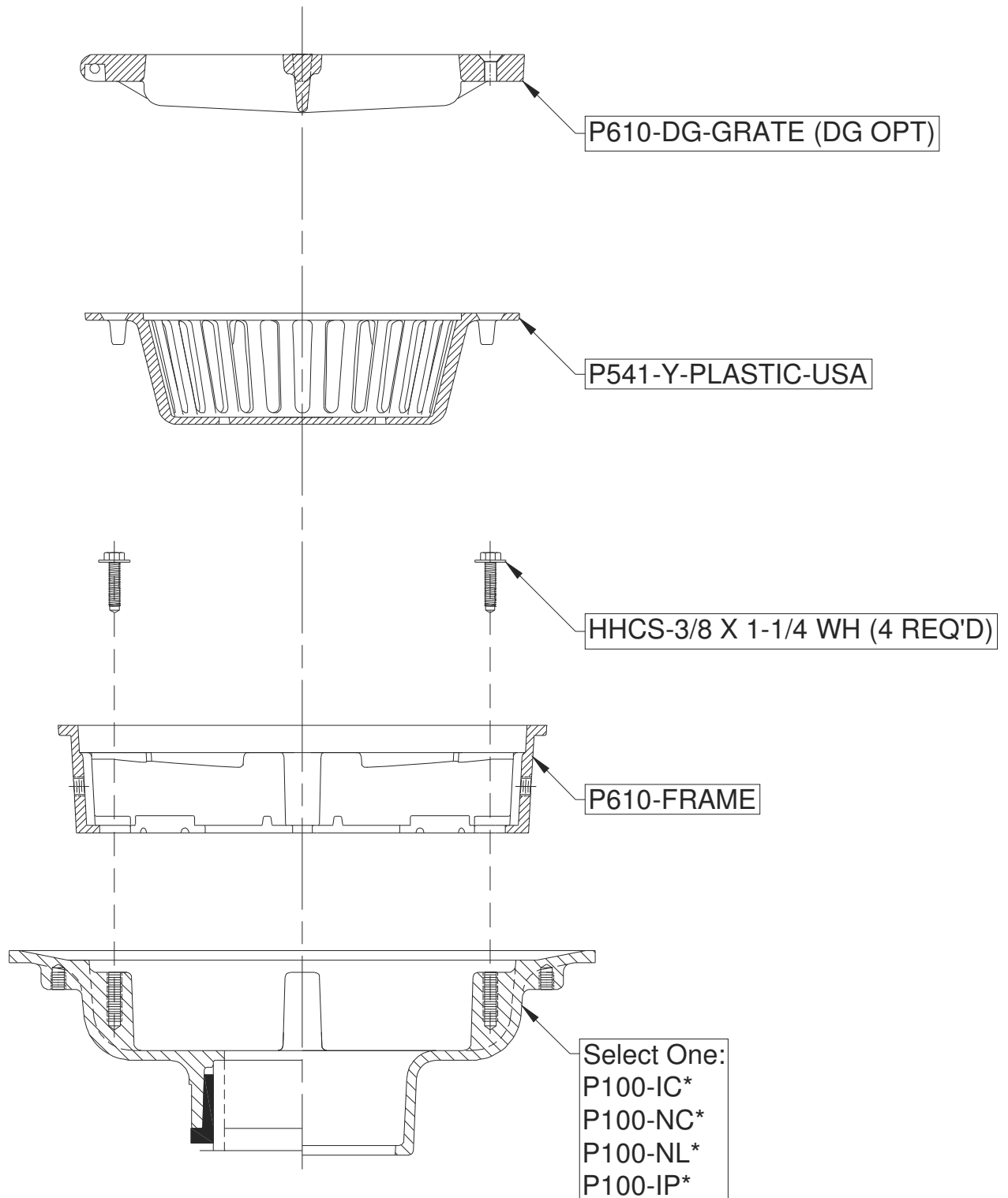


COMMON COMPONENTS

Z610-DG

12 [305] HEAVY-DUTY DRAIN WITH DURESIST GRATE

Dimensional data (inches and [mm]) are subject to manufacturing tolerances and change without notice.



\* Size determined by Customer

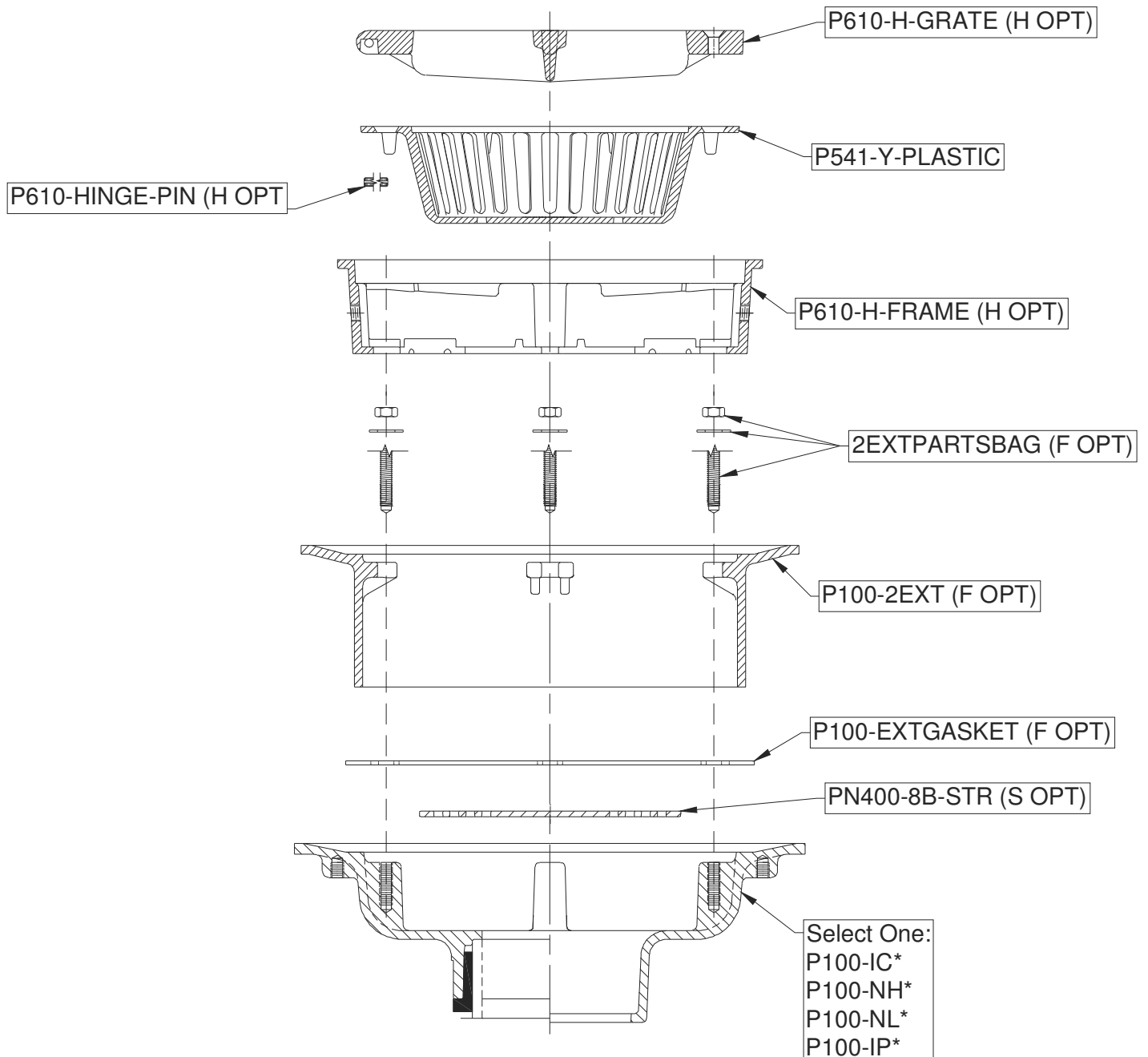


COMMON COMPONENTS

# Z610-F-H-S

## 12[305] HEAVY-DUTY DRAIN WITH 2[51] HIGH EXTENSION, HINGED GRATE & SECONDARY STRAINER

Dimensional data (inches and [mm]) are subject to manufacturing tolerances and change without notice.



\* Size determined by Customer

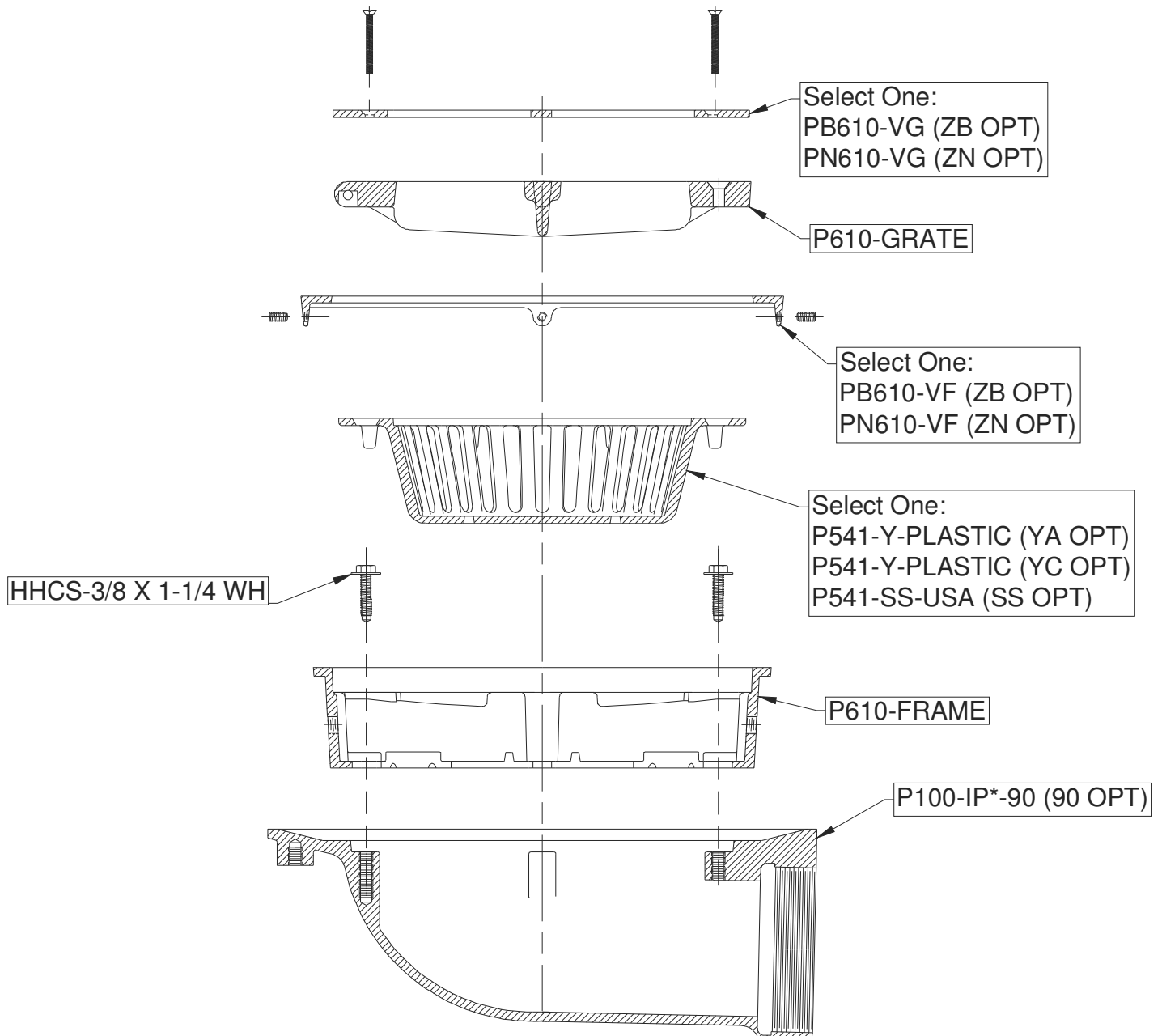


COMMON COMPONENTS

ZB/ZN610-SS/YA/YC-90

12 [305] HEAVY-DUTY DRAIN W/ POLISHED BROZE/NICKEL TOP, STAINLESS STEEL/ALUMINUM/CAST IRON SEDIMENT BUCKET & SIDE OUTLET

Dimensional data (inches and [mm]) are subject to manufacturing tolerances and change without notice.



\* Size determined by Customer