

## CREATION OF AN INDUSTRY

In the mid 1940's, Cullen Crawford developed and patented the original flareless fitting (nut & double ferrule system), making it easier and more efficient to make tubing connections. Based on this innovation, he founded the Crawford Fitting Company, creating an industry for compression fittings.

At Tylok, our mission is total customer satisfaction with both products & services. Our knowledgeable staff is readily available to answer questions and respond in a timely manner. We continue to develop new products that expand the Tylok brand. If you have a unique product need, Tylok would like to be your engineered-solutions provider.

## INTRODUCTION



**CBC-Lok® Tube Fittings are fully interchangeable with Swagelok® & Parker A-Lok®.** Although it is always recommended to use all CBC-Lok® components intermixing CBC-Lok® bodies and/or components parts with that of other manufacturers will not adversely affect sealing ability. CBC-Lok® Tube Fittings are made to strict quality control standards. CBC-Lok® Tube Fittings are proudly made in the U.S.A.



**CS-Lok® Tube Fittings are fully interchangeable with Parker CPI™.** Although it is always recommended to use all CS-Lok® components, intermixing CS-Lok® bodies and/or component parts with those of other manufacturers will not adversely affect sealing ability. CS-Lok® Tube Fittings are made strict quality control standards. CS-Lok® Tube Fittings are proudly made in the U.S.A.

## OPERATION

CBC-Lok® Tube Fittings are comprised of four components: Body, Front Ferrule (Collet), Rear Ferrule (Collet) & Nut. A leak-proof seal is obtained through proper ferrule action as the ferrules are tightened onto the tubing via axial thrust provided by the nut. The front ferrule provides the leak-proof seal, when the nut & ferrules are properly drawn up the specified number of turns. The rear ferrule grips the tubing preventing pull-off. The stainless steel nuts are silver plated and dry film lubricant is applied, reducing torque and ensuring proper sealing.

CS-Lok® Tube Fittings are comprised of three components: Body, Single Ferrule (Collet), & Nut. A leak-proof seal is obtained through proper ferrule action as the ferrules are tightened onto the tubing via axial thrust provided by the nut. The ferrule provides the leak-proof seal, when the nut & ferrule are properly drawn up the specified number of turns. The stainless steel nuts have molybdenum disulfide coating, reducing torque and ensuring proper sealing.

## TY-COR™ PROCESS

Ty-Cor™ refers to the treatment that diffuses carbon into the surface of the stainless steel, thereby increasing the surface hardness without affecting the quality of the metal treated. In fact, when AISI 316 stainless steel is treated, the corrosion resistance is equal to or better than non-treated 316 stainless steel. The increase in corrosion resistance to pitting and stress corrosion is very pronounced in media that contain chlorides (e.g., sea water, bleach, HCl, etc.). The Ty-Cor™ process applied to the rear ferrule also helps eliminate galling and ensures proper sealing on the tube end make-ups.

## FEATURES

### CBC-Lok® Tube Fittings

- Double ferrule swaging action
- Total component interchangeability
- Heat Code traceable
- ASTM material construction

### CS-Lok® Tube Fittings

- Single ferrule swaging action
- Total component interchangeability
- Heat Code traceable
- ASTM material construction

The quality system complies with the international standard ISO 9001. Tylok strives to continuously improve the effectiveness of the Quality Management System by each member within the organization.



Tylok has received the Certificate of Type Approval from the American from the American Bureau of Shipping (ABS). The following Part Families are ABS approved:

DFC - Female Connector,  
DMC - Male Connector, DU - Union, DELU - Elbow Union,  
DME - Male Elbow, and DTTT - Union Tee.

# How to Order

## CBC-LOK®/CS-LOK®

CBC-Lok®/CS-Lok® Tube Fittings are ordered as listed in this catalog by inserting the material code before the part number: CBC-Lok®/CS-Lok® Tube Fittings can be identified through the part number as to material, tube size, configuration, and thread connection. The part number describes a complete fitting assembly. **Special Configurations available upon request.**

**Example:** A Stainless Steel Female Run Tee, 3/8" Tube Size to 1/4" Female Pipe to 3/8" Tube is designated as follows:

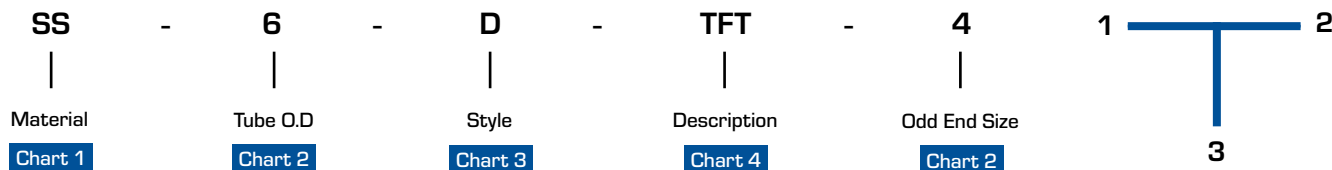


CHART 1- MATERIAL	
B	Brass
SS	Stainless Steel
S	Steel

CHART 3- STYLE	
D	CBC-Lok®
S	CS-Lok®

CHART 2- SIZES						
Fractional (inches)					Metric (millimeters)	
DESIGNATOR	TUBE OR HOSE O.D.	PIPE THREAD (NPT)	AN/STB TUBE SIZE	PIPE THREAD BSPP/BSPT	DESIGNATOR	TUBE O.D.
1	1/16	1/16-27		1/16-28	6	6 mm
2	1/8	1/8-27	5/16-24	1/8-28	8	8 mm
3	3/16				10	10 mm
4	1/4	1/4-18	7/16-20	1/4-19	12	12 mm
5	5/16				18	18 mm
6	3/8	3/8-18	9/16-18	3/8-19		
8	1/2	1/2-14	3/4-16	1/2-14		
10	5/8					
12	3/4	3/4-14	1-1/16-12	3/4-14		
14	7/8					
16	1	1-11 1/2	1-5/16-12	1-11		

CHART 4- DESCRIPTION	
ATANF	Adapter Tube to AN Flare
ATPF	Adapter Tube to Female Pipe
ATPM	Adapter Tube to Male Pipe
BHA	Bulkhead Adapter
BHFP	Bulkhead Female Pipe Connector
BHMP	Bulkhead Male Pipe Connector
BHU	Bulkhead Union
BUANF	Bulkhead to AN Flare Union
CAP	Cap
F PLUG	Fitting Plug
FC	Female Connector
MC	Male Connector
PCU	Port Connector Union
RATT	Reducer Adapter Tube to Tube
RPC	Reducing Port Connector
DRU	Reducing Union
TBW	Tube to Butt Weld Connector

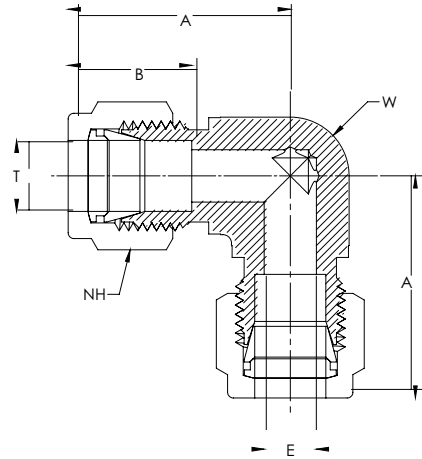
CHART 4- DESCRIPTION	
TSW	Tube to Socket Weld Connector
U	Union
UANF	Tube to AN Flare Union
ELU	Union Elbow
ELU45	Union 45° Elbow
FE	Female Elbow
ME	Male Elbow
ME45	Male 45° Elbow
TBWE	Tube to Butt Weld Elbow
TSWE	Tube to Socket Weld Elbow
TFT	Female Run Tee
TMT	Male Run Tee
TTF	Female Branch Tee
TTM	Male Branch Tee
TTT	Union Tee
CR	Union Cross
N	Nut
KN	Knurled Nut

CHART 5- MODIFIERS	
BBT	Branch Bored Through
BT	Bored Through
BSPT	BSPT Male Connector
CL	Cleaned & Lubricated to ASTM G93 Level C
SPCL	Cleaned & Lubricated to CGA G-4.1-2009
ORF-###	Orifice Fittings (### designates orifice size)
ORS	O-Ring Straight Thread Male Connector
ORT	O-Ring Tapered Thread Male Connector
RS	BSPP Male Connector
STB	Straight Thread Boss Male Connector

# DELU/SELU

## Union Elbow

CBC/CS-Lok



CBC PART NUMBER	INTERCHANGES WITH	CS PART NUMBER	INTERCHANGES WITH	T TUBE O.D.	A	B	E THRU HOLE	NH NUT HEX	W WRENCH FLAT
1-DELU-1	100-9 1EE1	1-SELU-1	1-1 EBZ	1/16	0.80	0.34	0.05	5/16	1/2
2-DELU-2	200-9 2EE2	2-SELU-2	2-2 EBZ	1/8	0.98	0.52	0.09	7/16	1/2
3-DELU-3	300-9 3EE3	3-SELU-3	3-3 EBZ	3/16	1.00	0.54	0.13	1/2	1/2
4-DELU-4	400-9 4EE4	4-SELU-4	4-4 EBZ	1/4	1.06	0.61	0.19	9/16	1/2
5-DELU-5	500-9 5EE5	5-SELU-5	5-5 EBZ	5/16	1.18	0.65	0.25	5/8	5/8
6-DELU-6	600-9 6EE6	6-SELU-6	6-6 EBZ	3/8	1.20	0.67	0.28	11/16	5/8
8-DELU-8	810-9 8EE8	8-SELU-8	8-8 EBZ	1/2	1.42	0.90	0.41	7/8	13/16
10-DELU-10	1010-9 10EE10	10-SELU-10	10-10 EBZ	5/8	1.50	0.96	0.50	1	15/16
12-DELU-12	1210-9 12EE12	12-SELU-12	12-12 EBZ	3/4	1.57	0.96	0.63	1-1/8	1-1/16
14-DELU-14	1410-9 14EE14	14-SELU-14	14-14 EBZ	7/8	1.76	1.02	0.72	1-1/4	1-3/8
16-DELU-16	1610-9 16EE16	16-SELU-16	16-16 EBZ	1	1.95	1.24	0.88	1-1/2	1-3/8

**NOTE:** Dimensions subject to change, to be used for reference only.

## PIPE THREAD SPECIFICATIONS

Tylok Pipe Fittings are manufactured from materials meeting applicable ASTM or ASME specifications, with pipe threads which meet or exceed ANSI B1.20.1 requirements. Strict quality control procedures are followed throughout production to provide the finest possible product.

### Materials: Brass • 316 Stainless Steel • Steel

These charts are to be used as a guide only and are based on normal wall thicknesses, used for the various sizes. These ratings may vary widely from effects such as the proper use of sealants, size of stock, temperature, corrosion factors, etc. Therefore, Tylok International, Inc. assumes no responsibility for its accuracy in any individual design.

Pressure ratings for Tylok tube fittings that have differing end connection styles shall use the lowest of the pressure ratings.

## TUBE PRESSURE DE-RATING FACTORS ELEVATED TEMPERATURES

The table lists de-rating factors that must be considered in applications above that of ambient temperatures.

### Example:

Type 316 Stainless Steel 1/4" O.D.x.0.49" wall at 800°F is 7,500 PSI x .79 = 5,925 psig.

Therefore, the suggested allowable working pressure for 316 Stainless Steel (1/4" O.D. with .049" tube wall) at 800°F is 5,925 psig.

## THERMOCOUPLE BORE THROUGH

Sizes	De-Rating Factor
1/2" & Smaller	0.75
Over 1/2" up to & including 3/4"	0.50
Larger than 3/4"	0.25

**NOTE:** Multiply tube pressure rating (see Suggested Allowable Working Pressure tables) by de-rating factor to determine safe working pressure.

Suggested Maximum Operating Pressures for Pipe Threads (psig)				
NPT Size	316 SS & Carbon Steel		Brass	
	Male	Female	Male	Female
1/16"	11000	6700	5500	3300
1/8"	10000	6500	5000	3200
1/4"	8000	6600	4000	3300
3/8"	7800	5300	3900	2600
1/2"	7700	4900	3800	2400
3/4"	7300	4600	3600	2300
1"	5300	4400	2600	2200

Tylok Instrumentation Fittings are rated at the following temperatures:	
316 Stainless	-325°F to 1000°F (-198°C to 648°C)
Brass	-40°F to 400°F (-40°C to 204°C)
Steel	-65°F to 375°F (-54°C to 190°C)

Consideration should be given to maximize temperature ratings if fittings and/or tubing are coated or plated.

Temperatures		Tubing Material		
°F	°C	Carbon	304 SS	316 SS
200	93	0.95	1.00	1.00
300	149	0.90	1.00	1.00
400	204	0.87*	0.93	0.96
500	260		0.87	0.89
600	316		0.82	0.85
700	371		0.8	0.81
800	427		0.76	0.79
900	482		0.73	0.77
1000	538		0.69	0.76

\* Based on 375°F (190°C) max

Temperatures		Tubing Material
°F	°C	Copper
100	38	1.00
150	66	0.85
200	93	0.80
250	121	0.80
300	149	0.78
350	177	0.66
400	204	0.50