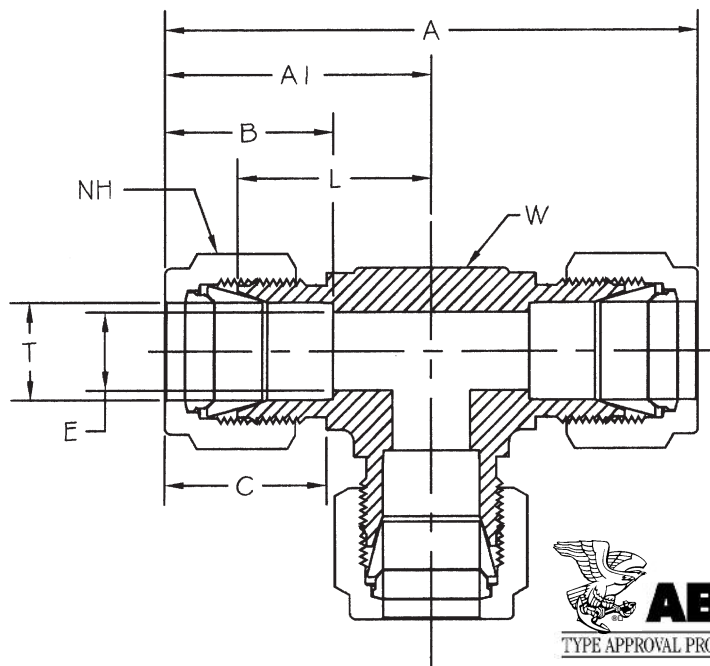
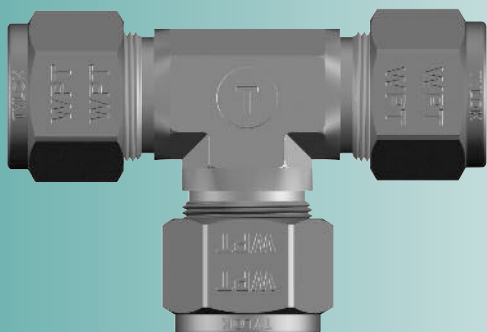


## Union Tee



| PART NUMBER | INTERCHANGES WITH | T TUBE O.D. | A     | A1    | B     | C     | E THRU HOLE | L     | NH NUT HEX | W WRENCH FLAT |
|-------------|-------------------|-------------|-------|-------|-------|-------|-------------|-------|------------|---------------|
| 1-DTTT-1    | 100-3 1ET1        | 1/16        | 1.406 | .703  | .344  | .437  | .052        | .547  | 5/16       | 3/8           |
| 2-DTTT-2    | 200-3 2ET2        | 1/8         | 1.766 | .875  | .500  | .609  | .094        | .625  | 7/16       | 3/8           |
| 3-DTTT-3    | 300-3 3ET3        | 3/16        | 1.922 | .969  | .547  | .625  | .125        | .703  | 1/2        | 7/16          |
| 4-DTTT-4    | 400-3 4ET4        | 1/4         | 2.125 | 1.062 | .609  | .703  | .187        | .766  | 9/16       | 1/2           |
| 5-DTTT-5    | 500-3 5ET5        | 5/16        | 2.344 | 1.172 | .641  | .734  | .250        | .875  | 5/8        | 5/8           |
| 6-DTTT-6    | 600-3 6ET6        | 3/8         | 2.406 | 1.203 | .656  | .766  | .281        | .906  | 11/16      | 5/8           |
| 8-DTTT-8    | 810-3 8ET8        | 1/2         | 2.844 | 1.422 | .906  | .859  | .406        | 1.016 | 7/8        | 13/16         |
| 10-DTTT-10  | 1010-3 10ET10     | 5/8         | 3.062 | 1.531 | .969  | .859  | .500        | 1.125 | 1          | 1             |
| 12-DTTT-12  | 1210-3 12ET12     | 3/4         | 3.141 | 1.578 | .969  | .859  | .625        | 1.172 | 1-1/8      | 1-1/16        |
| 14-DTTT-14  | 1410-3 14ET14     | 7/8         | 3.516 | 1.766 | 1.016 | .859  | .718        | 1.359 | 1-1/4      | 1-3/8         |
| 16-DTTT-16  | 1610-3 16ET16     | 1           | 3.859 | 1.937 | 1.234 | 1.047 | .875        | 1.453 | 1-1/2      | 1-3/8         |

\*NOTE: All dimensions subject to change, to be used for reference only.