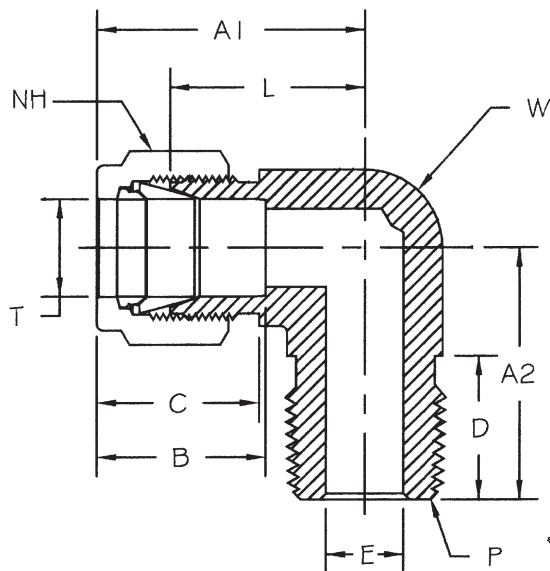
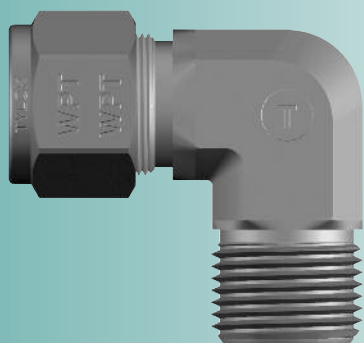


PART NUMBER	INTERCHANGES WITH	T TUBE O.D.	P PIPE END NPT	A1	A2	B	C	D	E ¹ THRU HOLE	L	NH NUT HEX	W WRENCH FLAT	
1-DME-1	100-2-1	1MSEL1N	1/16	1/16	.703	.656	.344	.437	.375	.052	.547	5/16	3/8
1-DME-2	100-2-2	1MSEL2N	1/16	1/8	.750	.703	.344	.437	.375	.052	.609	5/16	7/16
2-DME-1	200-2-1	2MSEL1N	1/8	1/16	.937	.703	.500	.609	.375	.094	.672	7/16	7/16
2-DME-2	200-2-2	2MSEL2N	1/8	1/8	.937	.703	.500	.609	.375	.094	.672	7/16	7/16
2-DME-4	200-2-4	2MSEL4N	1/8	1/4	.969	.922	.500	.609	.562	.094	.719	7/16	1/2
2-DME-6	200-2-6	2MSEL6N	1/8	3/8	1.203	1.125	.500	.609	.562	.094	.812	7/16	13/16
3-DME-2	300-2-2	3MSEL2N	3/16	1/8	1.000	.734	.547	.625	.375	.125	.734	1/2	1/2
3-DME-4	300-2-4	3MSEL4N	3/16	1/4	1.000	.922	.547	.625	.562	.125	.734	1/2	1/2
4-DME-1	400-2-1	4MSEL1N	1/4	1/16	1.203	.703	.609	.703	.375	.156	.719	9/16	1/2
4-DME-2	400-2-2	4MSEL2N	1/4	1/8	1.062	.734	.609	.703	.375	.187	.766	9/16	1/2
4-DME-4	400-2-4	4MSEL4N	1/4	1/4	1.062	.922	.609	.703	.562	.187	.766	9/16	1/2
4-DME-6	400-2-6	4MSEL6N	1/4	3/8	1.172	1.031	.609	.703	.562	.187	.875	9/16	11/16
4-DME-8	400-2-8	4MSEL8N	1/4	1/2	1.250	1.297	.609	.703	.750	.187	.969	9/16	13/16
4-DME-12	400-2-12	4MSEL12N	1/4	3/4	1.546	1.500	.609	.703	.750	.187	1.093	9/16	1-1/16
5-DME-2	500-2-2	5MSEL2N	5/16	1/8	1.125	.781	.641	.734	.375	.187	.844	5/8	9/16
5-DME-4	500-2-4	5MSEL4N	5/16	1/4	1.125	.969	.641	.734	.562	.250	.844	5/8	9/16
5-DME-6	500-2-6	5MSEL6N	5/16	3/8	1.203	1.031	.641	.734	.562	.250	.906	5/8	11/16
6-DME-2	600-2-2	6MSEL2N	3/8	1/8	1.203	.812	.656	.766	.375	.187	.906	11/16	5/8
6-DME-4	600-2-4	6MSEL4N	3/8	1/4	1.203	1.000	.656	.766	.562	.281	.906	11/16	5/8
6-DME-6	600-2-6	6MSEL6N	3/8	3/8	1.234	1.031	.656	.766	.562	.281	.937	11/16	11/16

*NOTE: All dimensions subject to change, to be used for reference only.

¹ The E dimension is the minimum opening. These fittings may have a larger opening at the pipe/straight thread end.

Male Elbow



PART NUMBER	INTERCHANGES WITH	T TUBE O.D.	P PIPE END NPT	A1	A2	B	C	D	E ¹ THRU HOLE	L	NH NUT HEX	W WRENCH FLAT
6-DME-8	600-2-8	6MSEL8N	3/8	1.312	1.297	.656	.766	.750	.281	1.016	11/16	13/16
6-DME-12	600-2-12	6MSEL12N	3/8	1.469	1.453	.656	.766	.750	.281	1.172	11/16	1-1/16
8-DME-2	810-2-2	8MSEL2N	1/2	1.609	1.109	.906	.859	.375	.187	.969	7/8	13/16
8-DME-4	810-2-4	8MSEL4N	1/2	1.422	1.109	.906	.859	.562	.281	1.016	7/8	13/16
8-DME-6	810-2-6	8MSEL6N	1/2	1.422	1.109	.906	.859	.562	.375	1.016	7/8	13/16
8-DME-8	810-2-8	8MSEL8N	1/2	1.422	1.297	.906	.859	.750	.406	1.016	7/8	13/16
8-DME-12	810-2-12	8MSEL12N	1/2	1.578	1.453	.906	.859	.750	.406	1.172	7/8	1-1/16
10-DME-4	1010-2-4	10MSEL4N	5/8	1.498	1.125	.969	.859	.562	.281	1.093	1	1
10-DME-6	1010-2-6	10MSEL6N	5/8	1.500	1.187	.969	.859	.562	.375	1.109	1	15/16
10-DME-8	1010-2-8	10MSEL8N	5/8	1.500	1.375	.969	.859	.750	.469	1.109	1	15/16
10-DME-12	1010-2-12	10MSEL12N	5/8	1.578	1.453	.969	.859	.750	.500	1.172	1	1-1/16
10-DME-16	1010-2-16	10MSEL16N	5/8	1.780	1.844	.969	.859	.937	.500	1.375	1	1-1/2
12-DME-4	1210-2-4	12MSEL4N	3/4	1.576	1.250	.969	.859	.562	.281	1.375	1-1/8	1-1/16
12-DME-6	1210-2-6	12MSEL6N	3/4	1.576	1.250	.969	.859	.562	.406	1.375	1-1/8	1-1/16
12-DME-8	1210-2-8	12MSEL8N	3/4	1.561	1.453	.969	.859	.750	.469	1.172	1-1/8	1-1/16
12-DME-12	1210-2-12	12MSEL12N	3/4	1.578	1.453	.969	.859	.750	.625	1.172	1-1/8	1-1/16
14-DME-12	1410-2-12	14MSEL12N	7/8	1.766	1.641	1.016	.859	.750	.625	1.359	1-1/4	1-3/8
16-DME-4	1610-2-4	16MSEL4N	1	1.935	1.375	1.234	1.047	.562	.281	1.531	1-1/2	1-1/2
16-DME-8	1610-2-8	16MSEL8N	1	1.935	1.562	1.234	1.047	.750	.500	1.531	1-1/2	1-1/2
16-DME-12	1610-2-12	16MSEL12N	1	1.937	1.641	1.234	1.047	.937	.625	1.453	1-1/2	1-3/8
16-DME-16	1610-2-16	16MSEL16N	1	1.937	1.828	1.234	1.047	.937	.875	1.453	1-1/2	1-3/8

*NOTE: All dimensions subject to change, to be used for reference only.

¹ The E dimension is the minimum opening. These fittings may have a larger opening at the pipe/straight thread end.