

# How to Order

## CBC-LOK®/CS-LOK®

CBC-Lok®/CS-Lok® Tube Fittings are ordered as listed in this catalog by inserting the material code before the part number: CBC-Lok®/CS-Lok® Tube Fittings can be identified through the part number as to material, tube size, configuration, and thread connection. The part number describes a complete fitting assembly. **Special Configurations available upon request.**

**Example:** A Stainless Steel Female Run Tee, 3/8" Tube Size to 1/4" Female Pipe to 3/8" Tube is designated as follows:

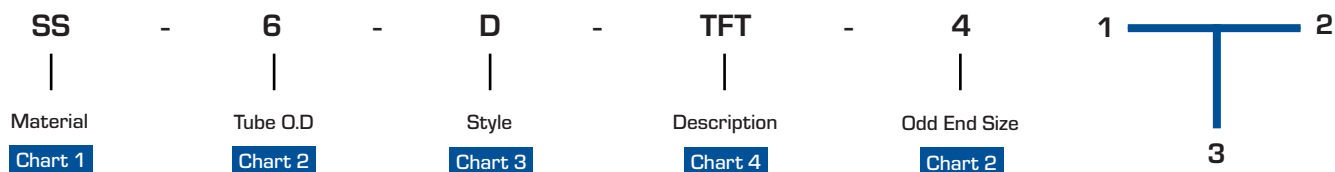


CHART 1- MATERIAL	
B	Brass
SS	Stainless Steel
S	Steel

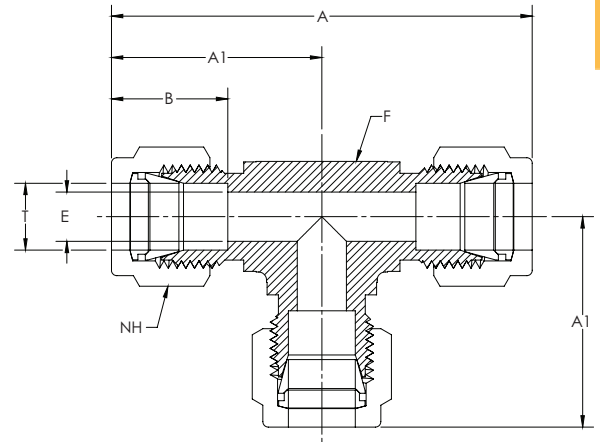
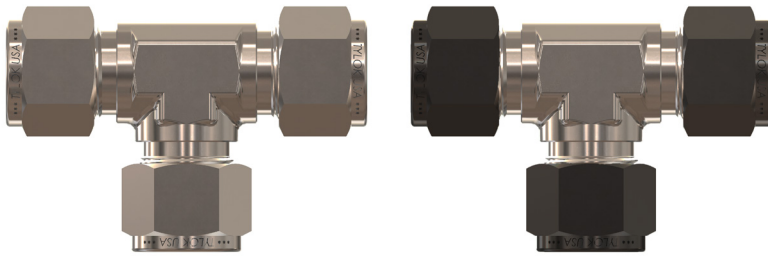
CHART 3- STYLE	
D	CBC-Lok®
S	CS-Lok®

CHART 2- SIZES						
Fractional (inches)					Metric (millimeters)	
DESIGNATOR	TUBE OR HOSE O.D.	PIPE THREAD (NPT)	AN/STB TUBE SIZE	PIPE THREAD BSPP/BSPT	DESIGNATOR	TUBE O.D.
1	1/16	1/16-27		1/16-28	6	6 mm
2	1/8	1/8-27	5/16-24	1/8-28	8	8 mm
3	3/16				10	10 mm
4	1/4	1/4-18	7/16-20	1/4-19	12	12 mm
5	5/16				18	18 mm
6	3/8	3/8-18	9/16-18	3/8-19		
8	1/2	1/2-14	3/4-16	1/2-14		
10	5/8					
12	3/4	3/4-14	1-1/16-12	3/4-14		
14	7/8					
16	1	1-11 1/2	1-5/16-12	1-11		

CHART 4- DESCRIPTION	
ATANF	Adapter Tube to AN Flare
ATPF	Adapter Tube to Female Pipe
ATPM	Adapter Tube to Male Pipe
BHA	Bulkhead Adapter
BHFP	Bulkhead Female Pipe Connector
BHMP	Bulkhead Male Pipe Connector
BHU	Bulkhead Union
BUANF	Bulkhead to AN Flare Union
CAP	Cap
F PLUG	Fitting Plug
FC	Female Connector
MC	Male Connector
PCU	Port Connector Union
RATT	Reducer Adapter Tube to Tube
RPC	Reducing Port Connector
DRU	Reducing Union
TBW	Tube to Butt Weld Connector

CHART 4- DESCRIPTION	
TSW	Tube to Socket Weld Connector
U	Union
UANF	Tube to AN Flare Union
ELU	Union Elbow
ELU45	Union 45° Elbow
FE	Female Elbow
ME	Male Elbow
ME45	Male 45° Elbow
TBWE	Tube to Butt Weld Elbow
TSWE	Tube to Socket Weld Elbow
TFT	Female Run Tee
TMT	Male Run Tee
TTF	Female Branch Tee
TTM	Male Branch Tee
TTT	Union Tee
CR	Union Cross
N	Nut
KN	Knurled Nut

CHART 5- MODIFIERS	
BBT	Branch Bored Through
BT	Bored Through
BSPT	BSPT Male Connector
CL	Cleaned & Lubricated to ASTM G93 Level C
SPCL	Cleaned & Lubricated to CGA G-4.1-2009
ORF-###	Orifice Fittings (### designates orifice size)
ORS	O-Ring Straight Thread Male Connector
ORT	O-Ring Tapered Thread Male Connector
RS	BSPP Male Connector
STB	Straight Thread Boss Male Connector



CBC PART NUMBER	INTERCHANGES WITH	CS PART NUMBER	INTERCHANGES WITH	T TUBE O.D.	A	A1	A2	B	B1	E THRU HOLE	NH NUT HEX	NH1 NUT HEX	W WRENCH FLAT
1-DTTT-1	100-3 1ET1	1-STTT-1	1-1-1 JBZ	1/16	1.61	0.80	-	0.34	-	0.05	5/16	-	1/2
2-DTTT-2	200-3 2ET2	2-STTT-2	2-2-2 JBZ	1/8	1.95	0.98	-	0.52	-	0.09	7/16	-	1/2
3-DTTT-3	300-3 3ET3	3-STTT-3	3-3-3 JBZ	3/16	2.00	1.00	-	0.54	-	0.13	1/2	-	1/2
4-DTTT-4	400-3 4ET4	4-STTT-4	4-4-4 JBZ	1/4	2.13	1.06	-	0.61	-	0.19	9/16	-	1/2
5-DTTT-5	500-3 5ET5	5-STTT-5	5-5-5 JBZ	5/16	2.38	1.19	-	0.65	-	0.25	5/8	-	5/8
6-DTTT-6	600-3 6ET6	6-STTT-6	6-6-6 JBZ	3/8	2.42	1.21	-	0.67	-	0.28	11/16	-	5/8
8-DTTT-8	810-3 8ET8	8-STTT-8	8-8-8 JBZ	1/2	2.84	1.42	-	0.90	-	0.41	7/8	-	13/16
10-DTTT-10	1010-3 10ET10	10-STTT-10	10-10-10 JBZ	5/8	3.14	1.57	-	0.96	-	0.50	1	-	1 1/16
12-DTTT-12	1210-3 12ET12	12-STTT-12	12-12-12 JBZ	3/4	3.14	1.57	-	0.96	-	0.63	1 1/8	-	1 1/16
14-DTTT-14	1410-3 14ET14	14-STTT-14	14-14-14 JBZ	7/8	3.51	1.76	-	1.02	-	0.72	1 1/4	-	1 3/8
16-DTTT-16	1610-3 16ET16	16-STTT-16	16-16-16 JBZ	1	3.89	1.95	-	1.24	-	0.88	1 1/2	-	1 3/8

**NOTE:** Dimensions subject to change, to be used for reference only.